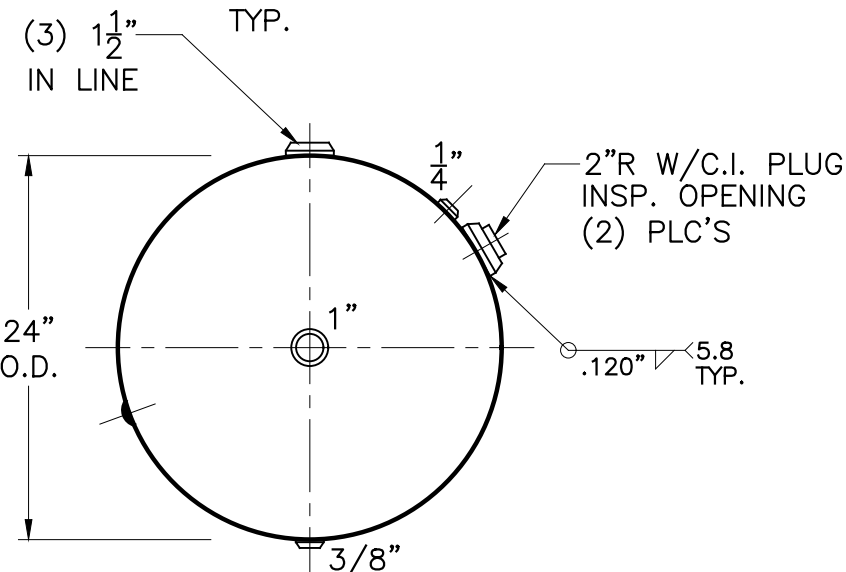


FEET PER AH-277-C



NOTE: 1) HYDRO @ 300 PSIG. MIN.

HEADS	.164" SA-414-G 2:1 S.E.	H-120-F	REV. 4-13-11
	JOGGLE (.160" NOM. REQ'D)		ABS & USCG
SHELL	.200" SA-455 (.1875" NOM. REQ'D)	FOR: HORIZ. AIR TANK USCG & ABS (9-11-81 APPROVAL)	
	M.A.W.P. 200 PSIG. @ 650 °F M.D.M.T. 0 °F @ 200 PSIG. ASME. SECTION VIII DIV. 1, 2010 ADD 2010 X-RAY: RT-NO	INSIDE: UNPAINTED	
GALLONS: 120 WT. 313 LBS.		OUTSIDE: PRIME	
SERIAL NO.		BY: J.G. SCALE: 1"=12"	
N.B.		ROY E. HANSON JR. MFG. 1600 E. WASHINGTON BLVD. LOS ANGELES, CA 90021	

VIEW W/OUT SUPT'S