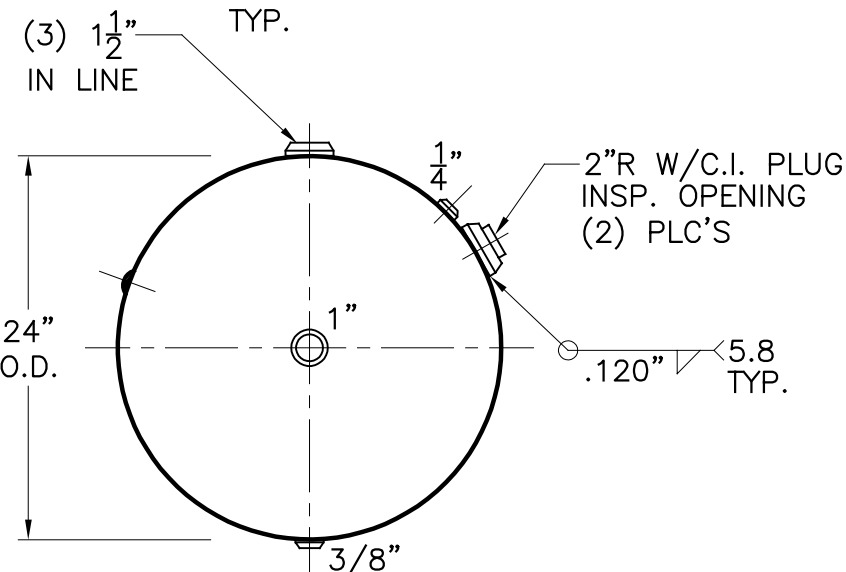


FEET PER PER: AH-277-C



NOTE: 1) HYDRO @ 300 PSIG. MIN.

SHELL / HEADS	.164" SA-414-G 2:1 S.E.	H-120-F ABS	REV.
	JOGGLE (.160"MIN.)		DATE: 7-27-05
SHELL / HEADS	.195" SA-455 (.1875"MIN.)	FOR: HANSON STANDARD	
		HORIZ. AIR TANK	
M.A.W.P. 200 PSIG. @ 650 °F		ABS (9-11-81 APPROVAL)	
M.D.M.T. -20 °F @ 200 PSIG.		INSIDE: UNPAINTED	
ASME. SECTION VIII DIV. 1, 2004 ADD 2004		OUTSIDE: PRIME	
X-RAY: RT-NO		BY: J.G.	SCALE: 1"=12"
GALLONS: 120 WT. 331 LBS.		<b>ROY E. HANSON JR. MFG.</b>	
SERIAL NO.		1924 COMPTON AVE.	
N.B.		LOS ANGELES, CA 90011	

**VIEW W/OUT SUPT'S**