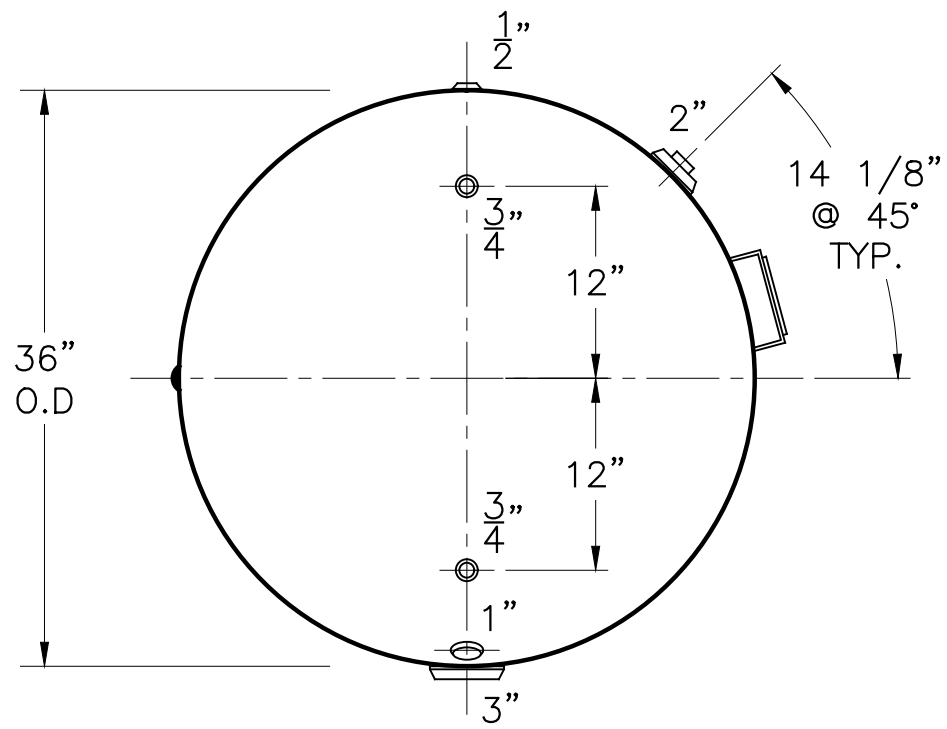
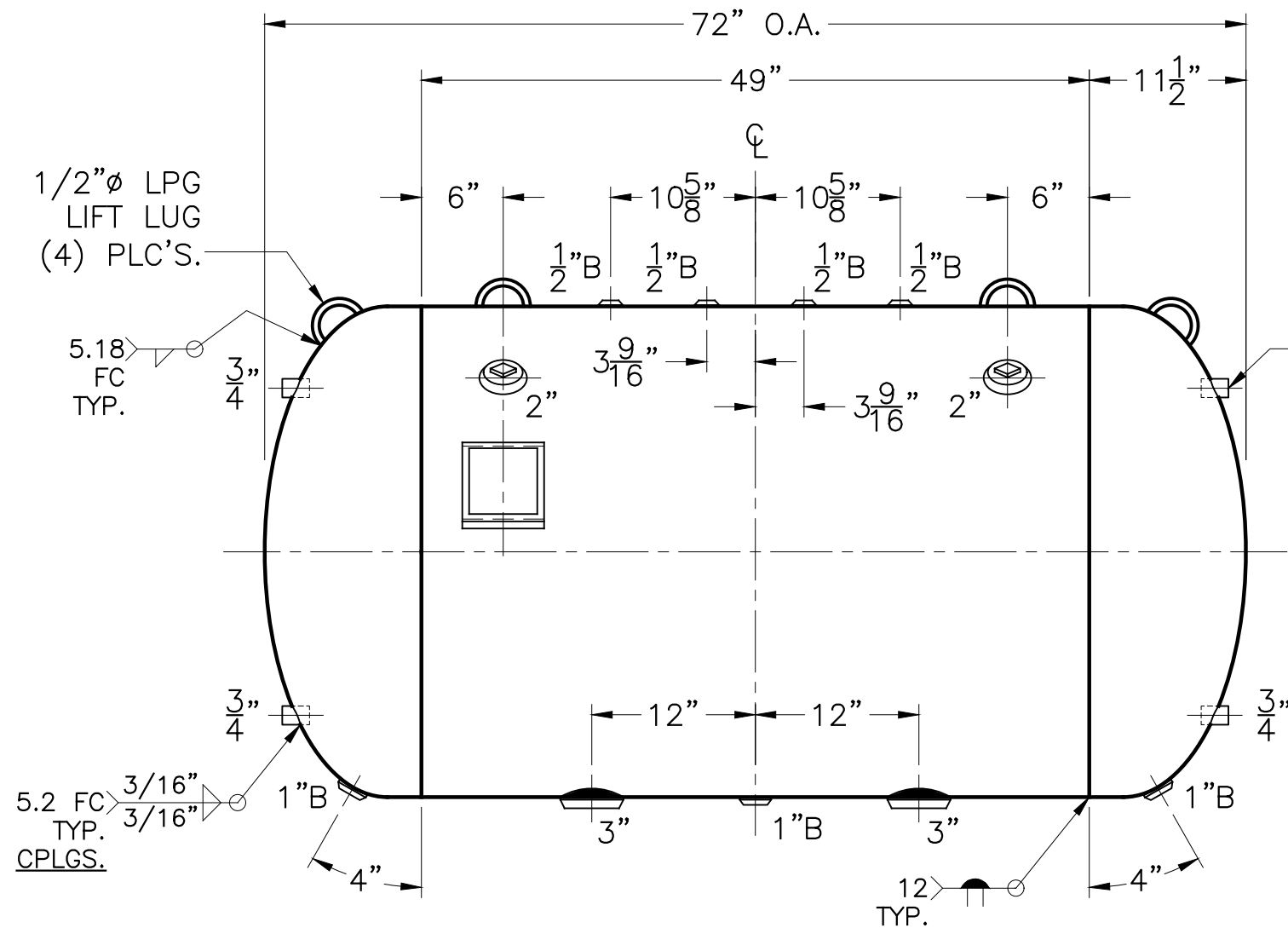
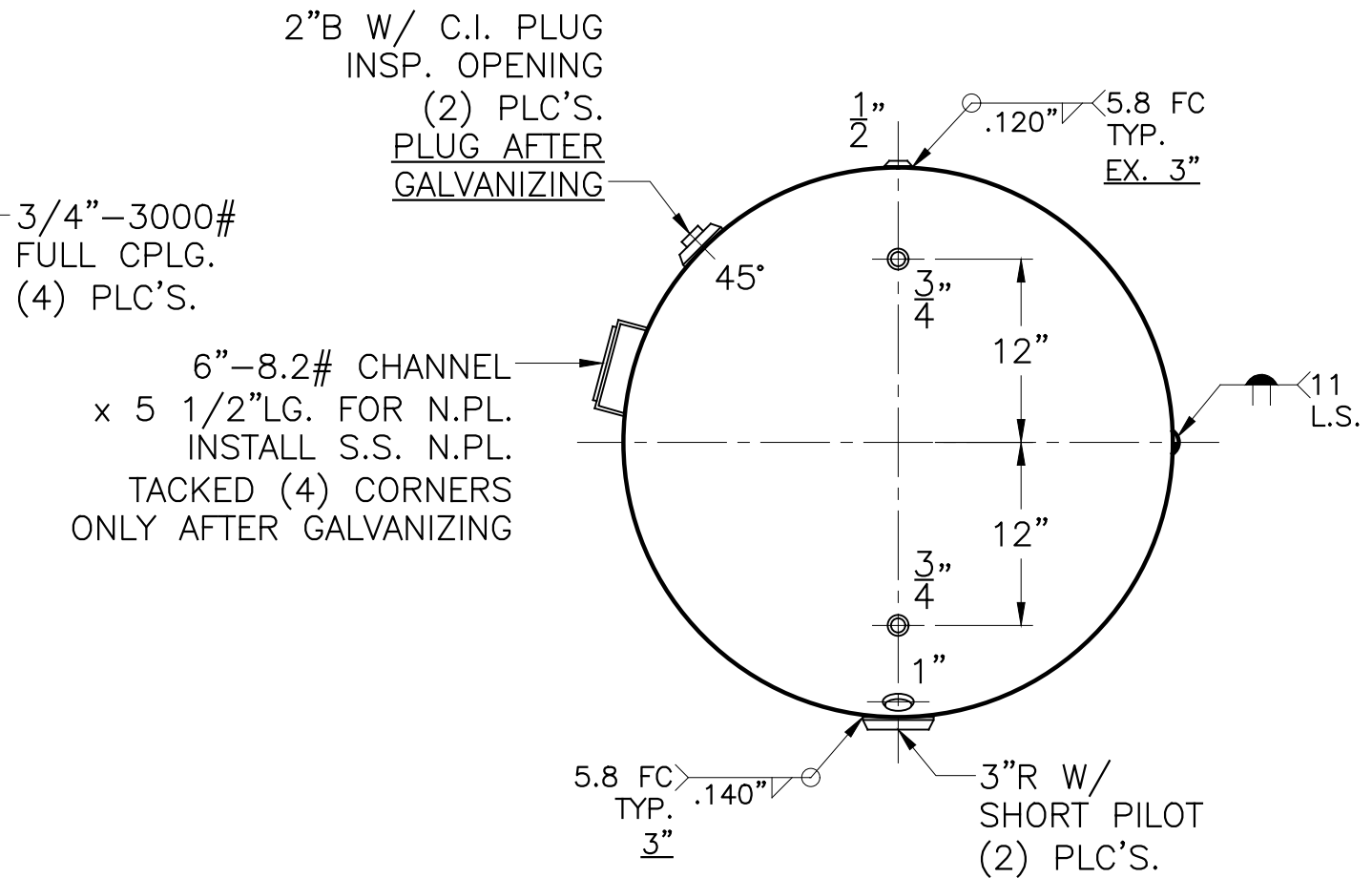


DATE	BY
8-13-14	RH



VIEW W/O SUPPORTS



NOTE: 1) HYDRO @ 195 PSIG. MIN.

SHELL/HEADS	.189" SA-455 2:1 S.E.	AH-888-B	REV.	
	JOGGLE		DATE: 8-12-14	
	.200" SA-455	FOR:	HORIZ. AIR-VACUUM TANK	
			SURFACE AREA = 61.9 SQ. FT.	
M.A.W.P. -15 PSIG. @ 300 °F	INSIDE: HOT DIP GALVANIZED			
M.A.W.P. 150 PSIG. @ 300 °F	OUTSIDE: HOT DIP GALVANIZED			
M.D.M.T. -20 °F @ 150 PSIG.	BY: E.S. / STEVE SCALE: 1"=12"			
ASME. SECTION VIII DIV. 1, 2013	ROY E. HANSON JR. MFG.			
X-RAY: RT-NO	1600 E. WASHINGTON BLVD.			
GALLONS: 284 WT. 588 LBS.	LOS ANGELES, CA 90021			
SERIAL NO.				
N.B.				