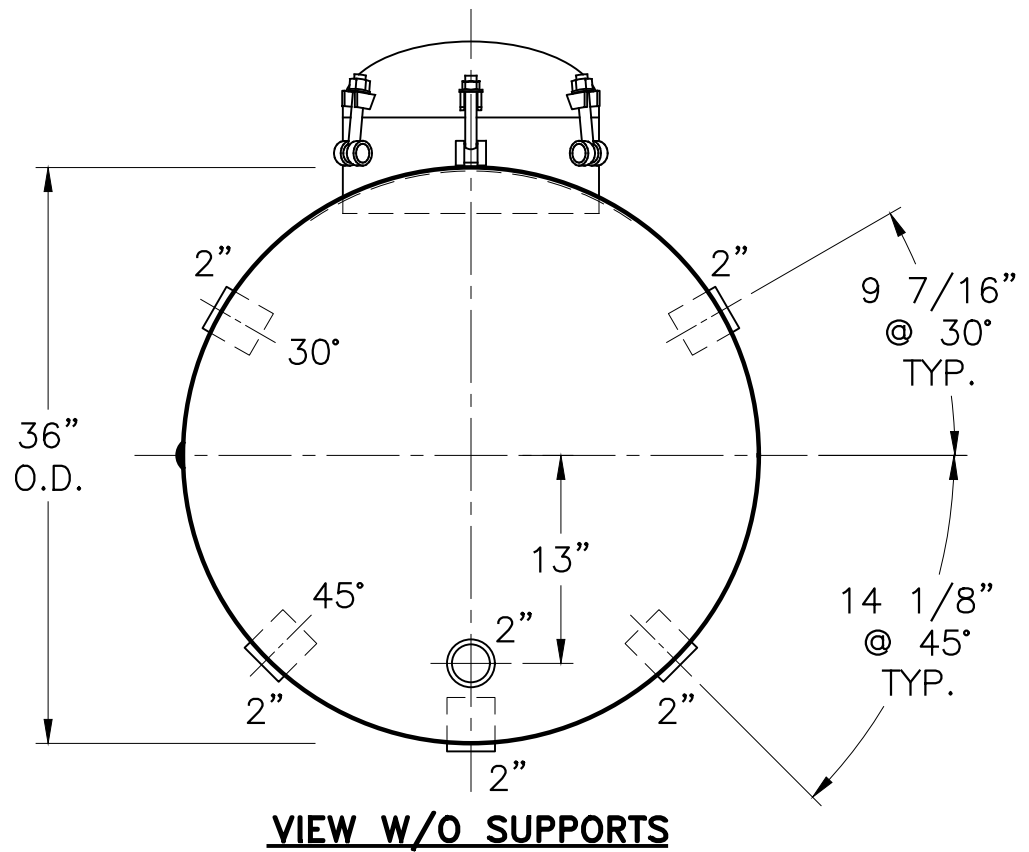
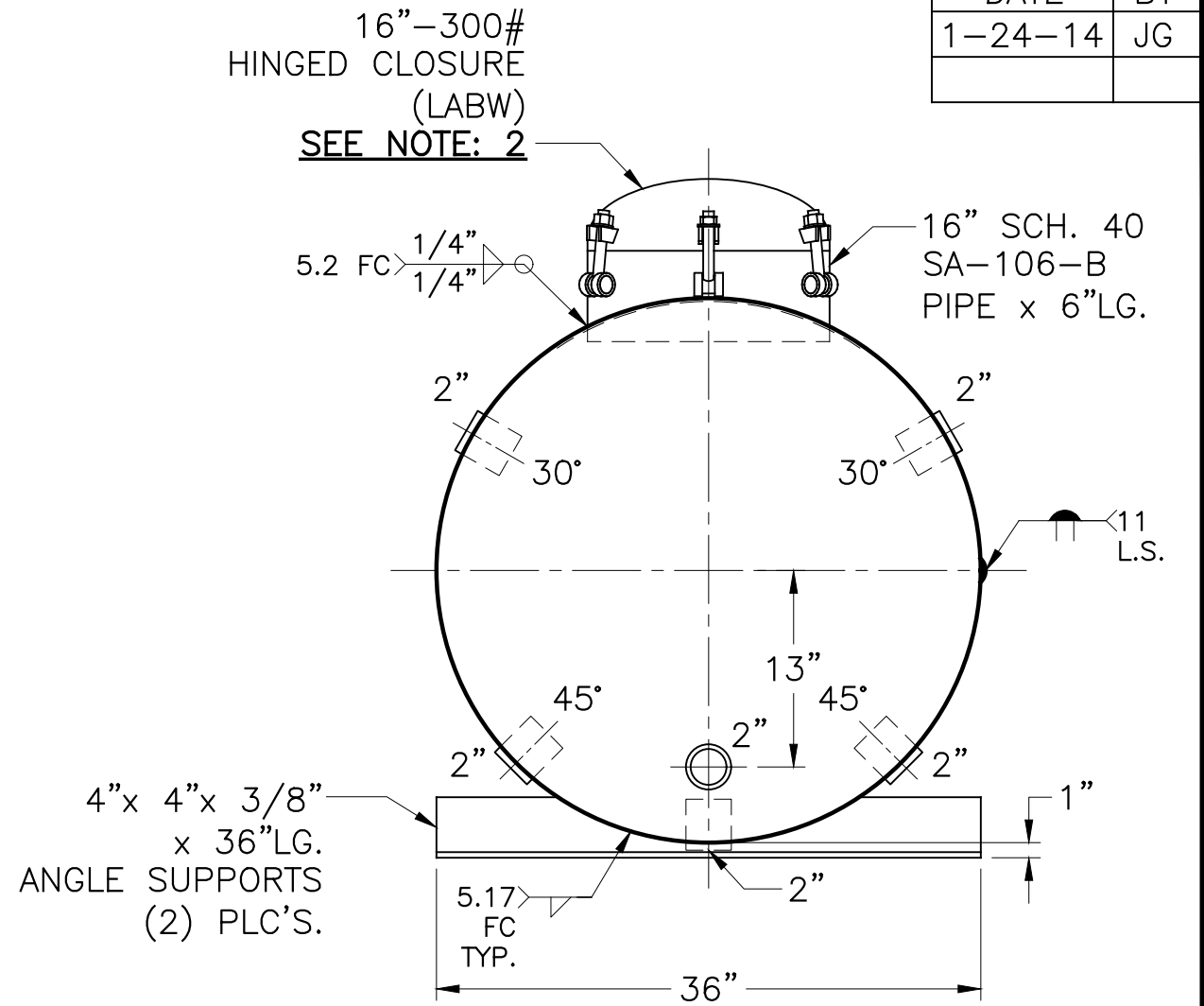
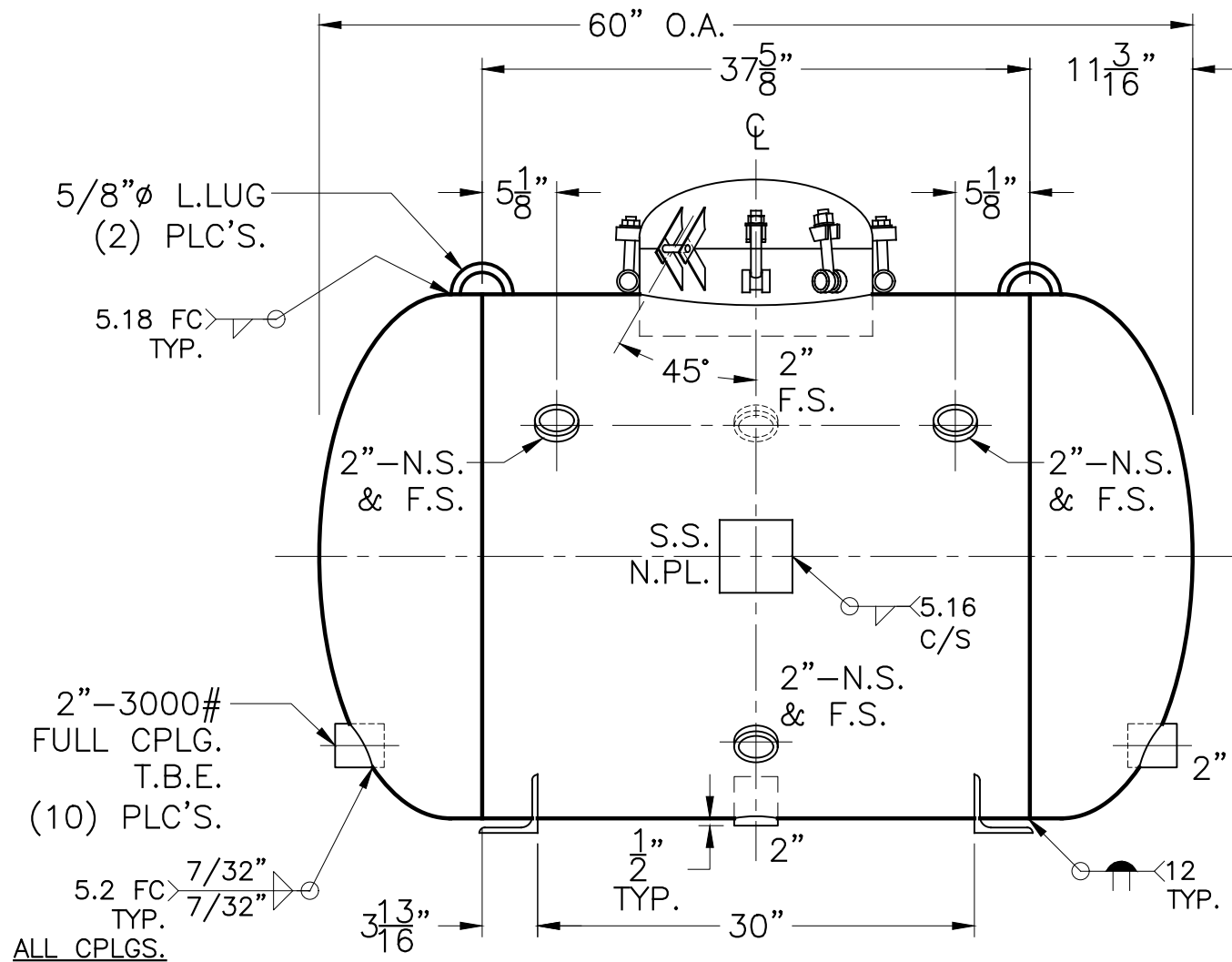


DATE	BY
1-24-14	JG



2) CLOSURE HINGE IS ROTATED 45° CLOCKWISE FROM N.S.
 NOTE: 1) HYDRO @ 195 PSIG. MIN.

SHELL / HEADS	.189" SA-414-G 2:1 S.E.	AH-864-B	REV:
	JOGGLE		DATE: 1-24-14
SHELL / HEADS	.218" SA-455	FOR:	
		HORIZ. AIR TANK	
M.A.W.P. -15 PSIG. @ 200 °F		SURFACE AREA = 52.5 SQ. FT.	
M.A.W.P. 150 PSIG. @ 200 °F		INSIDE: UNPAINTED	
M.D.M.T. -20 °F @ 150 PSIG.		OUTSIDE: PRIME	
ASME. SECTION VIII DIV. 1, 2013			
X-RAY: RT-NO		BY: E.S. / B.C. SCALE: 1" = 12"	
GALLONS: 232 WT. 664 LBS.		ROY E. HANSON JR. MFG.	
SERIAL NO.		1600 E. WASHINGTON BLVD.	
N.B.		LOS ANGELES, CA 90021	