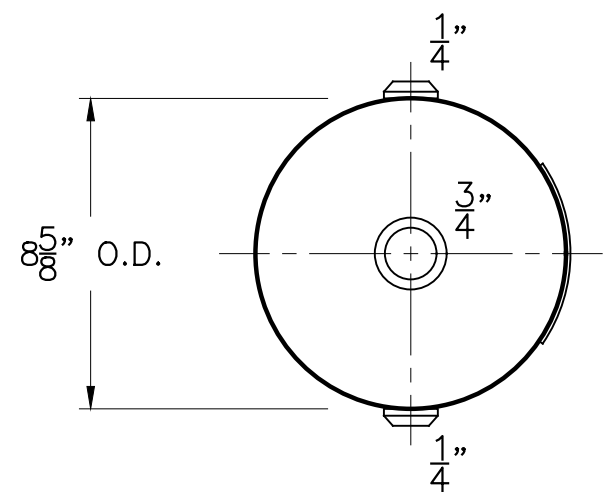
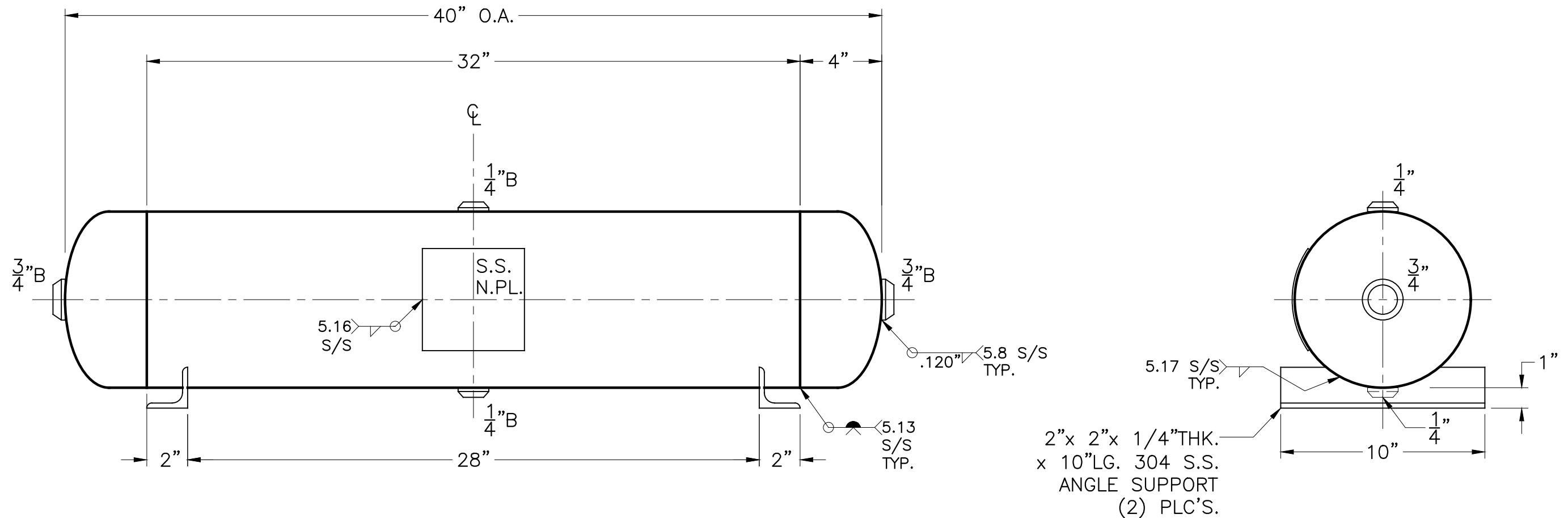


DATE	BY
12-16-13	RH
12-17-13	RH



VIEW W/O SUPPORTS

- NOTES: 1) HYDRO @ 195 PSIG. MIN.
 2) ALL FNPT'S SA-182-304 S.S.
 3) ALL 304 S/S CONSTRUCTION.

SHELL / HEADS	8 SCH. 40 SA-403-304 CAP (INSIDE TAPER TO .250" WALL)	AH-859-B	REV. 12-17-13
			DATE: 12-16-13
		FOR:	
		HORIZ. AIR TANK	
		SURFACE AREA = 7.9 SQ. FT.	
		INSIDE: PASSIVATE	
		OUTSIDE: BEAD BLAST & PASSIVATE	
M.A.W.P. 150 PSIG. @ 200 °F		BY: E.S. / B.C. SCALE: 3/16"=1"	
M.D.M.T. -20 °F @ 150 PSIG.		ROY E. HANSON JR. MFG.	
ASME. SECTION VIII DIV. 1, 2013		1600 E. WASHINGTON BLVD. LOS ANGELES, CA 90021	
X-RAY: RT-NO			
GALLONS: 8.6	WT. 89 LBS.		
SERIAL NO.			
N.B.			