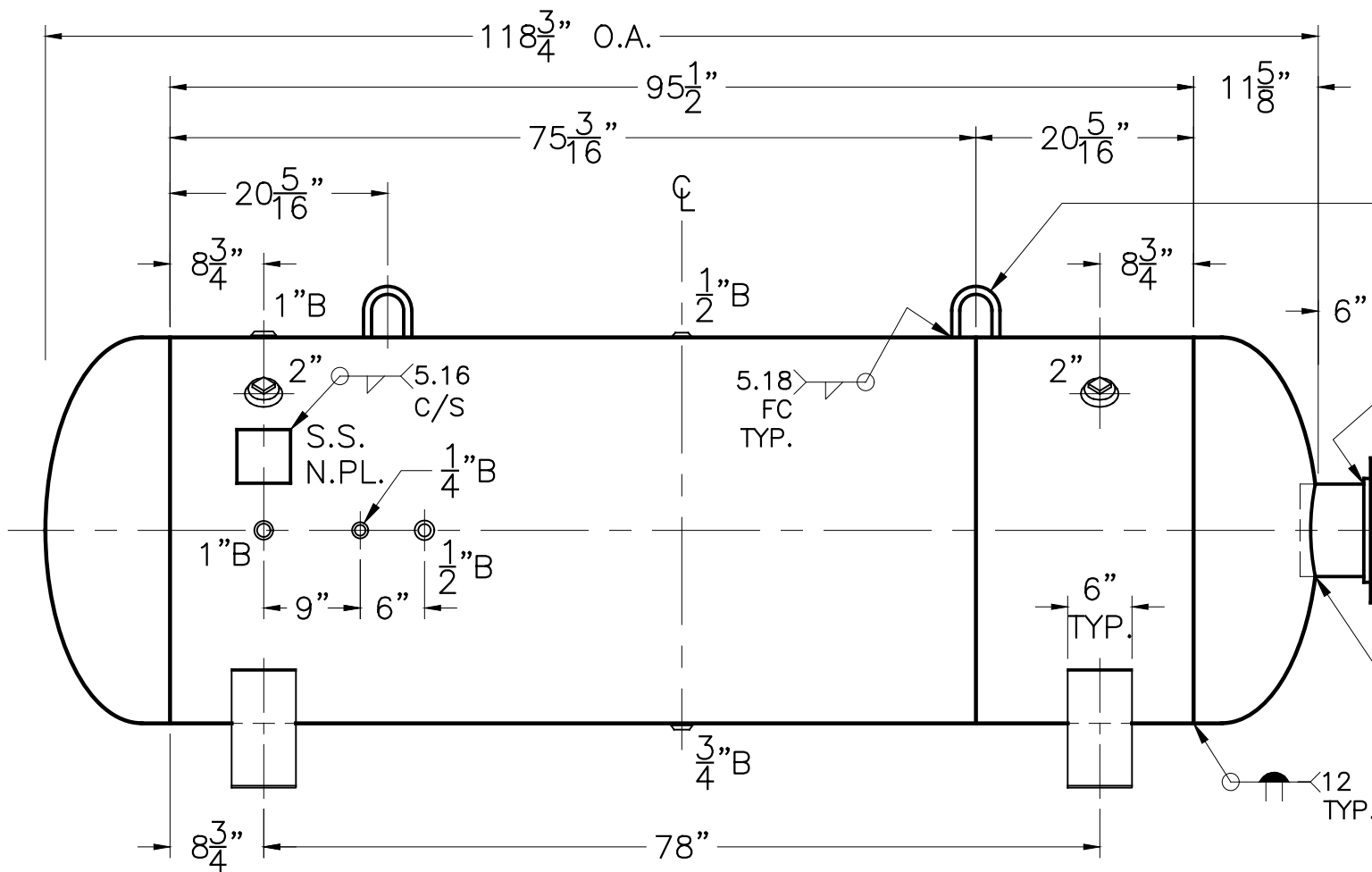
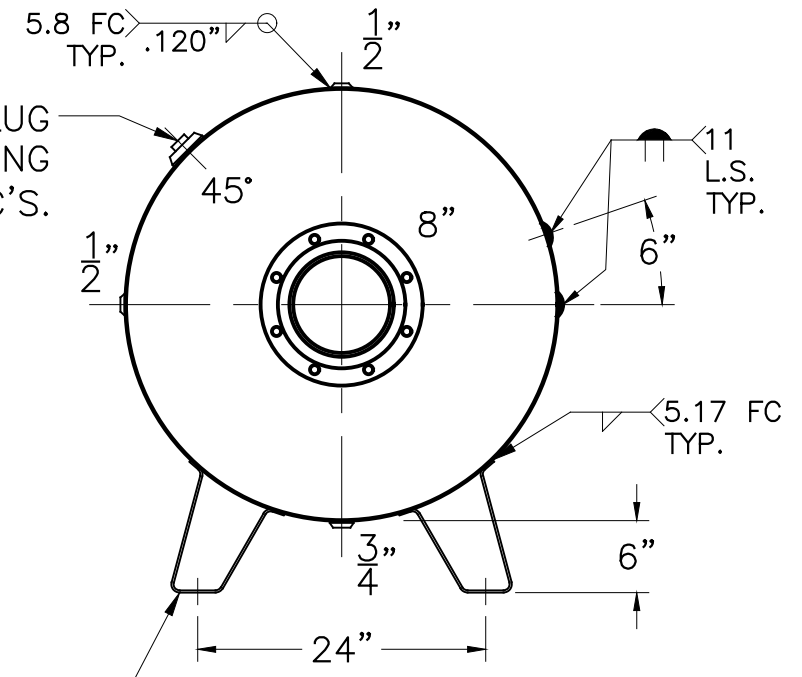


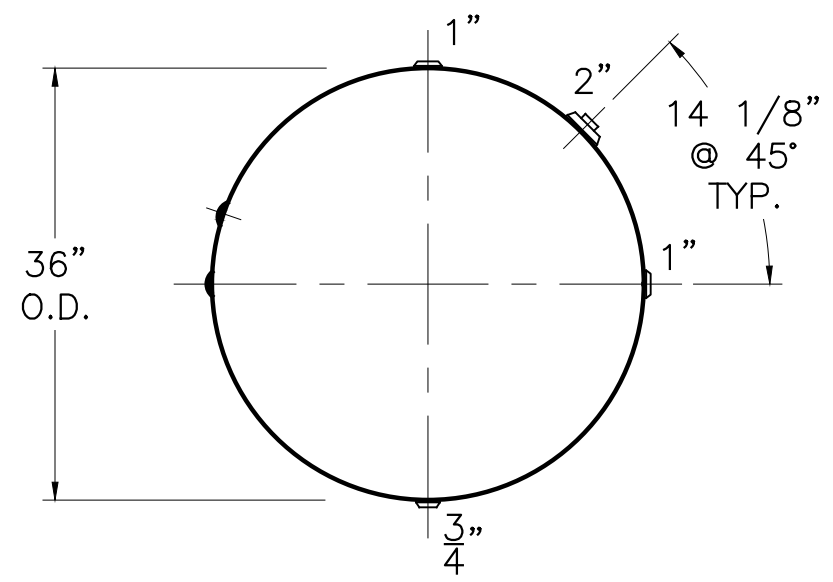
DATE	BY
1-14-15	JG



3/4"Ø SOLAR LIFT LUG (2) PLC'S.
 2"B W/ C.I. PLUG INSP. OPENING (2) PLC'S.
 8"-150# R.F.S.O. FLG. W/ SCH. 40 SA-106-B PIPE x 7 11/16" LG.



SOLAR FEET PER:
 S-36-490-H-1C
 NO GUSSETS



VIEW W/O SUPPORTS

NOTE: 1) HYDRO @ 260 PSIG. MIN.

HEADS	.252" SA-455 2:1 S.E.
	JOGGLE
SHELL	.199" SA-455
M.A.W.P.	200 PSIG. @ 400 °F
M.D.M.T.	-20 °F @ 200 PSIG.
ASME SECTION VIII DIV, 1, 2013	
X-RAY:	RT-4 SPOT L.S. ONLY
GALLONS:	500
WT.	1026 LBS.
SERIAL NO.	
N.B.	

AH-608-B	REV. 1-14-15
	DATE: 1-27-09
FOR:	
HORIZ. AIR TANK	
SURFACE AREA = 98.8 SQ. FT.	
UW-21(b)	
INSIDE: UNPAINTED	
OUTSIDE: PRIME	
BY: E.S. / C.J.	SCALE: 3/4"=12"
ROY E. HANSON JR. MFG.	
1600 E. WASHINGTON BLVD. LOS ANGELES, CA 90021	