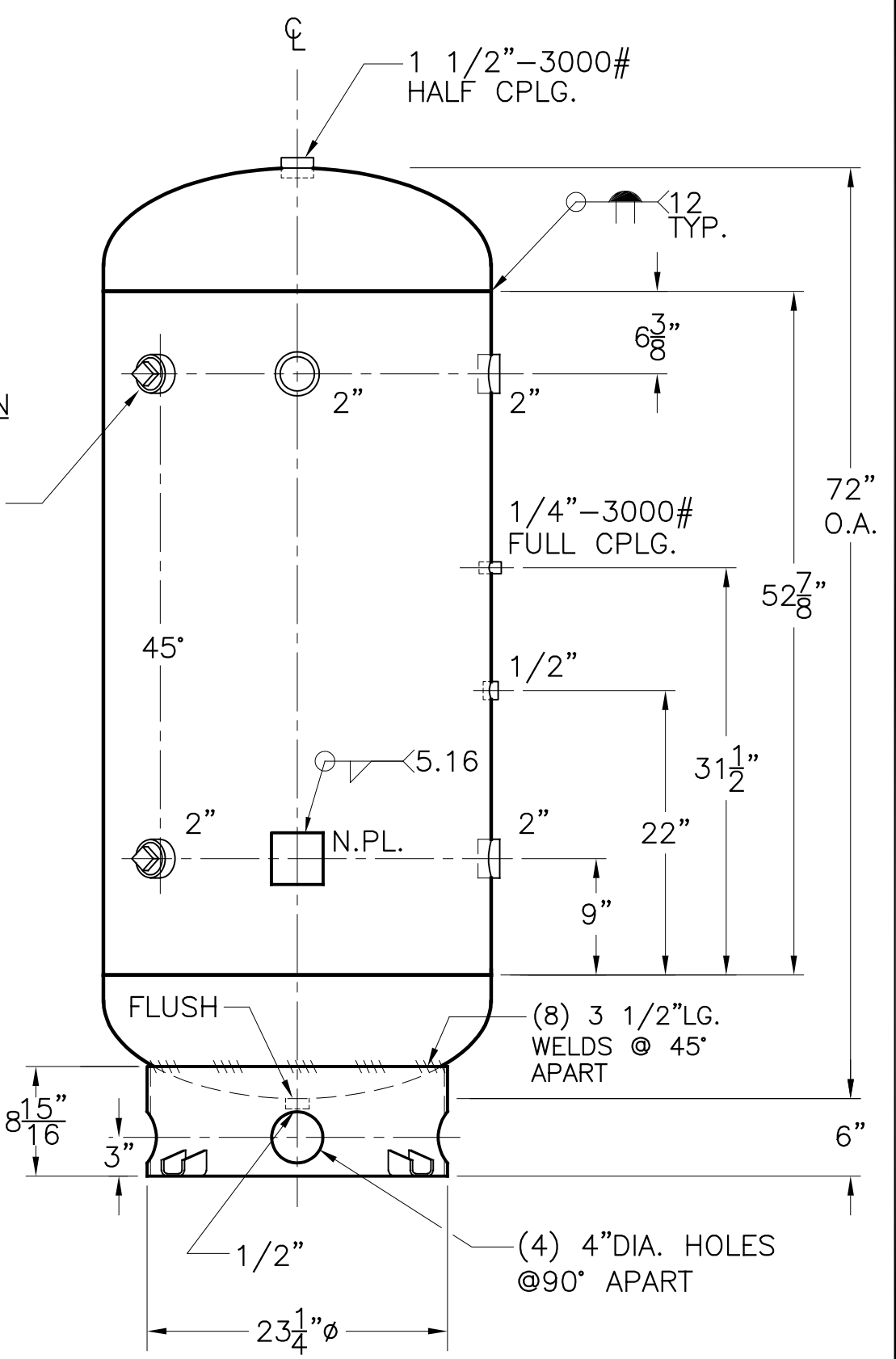
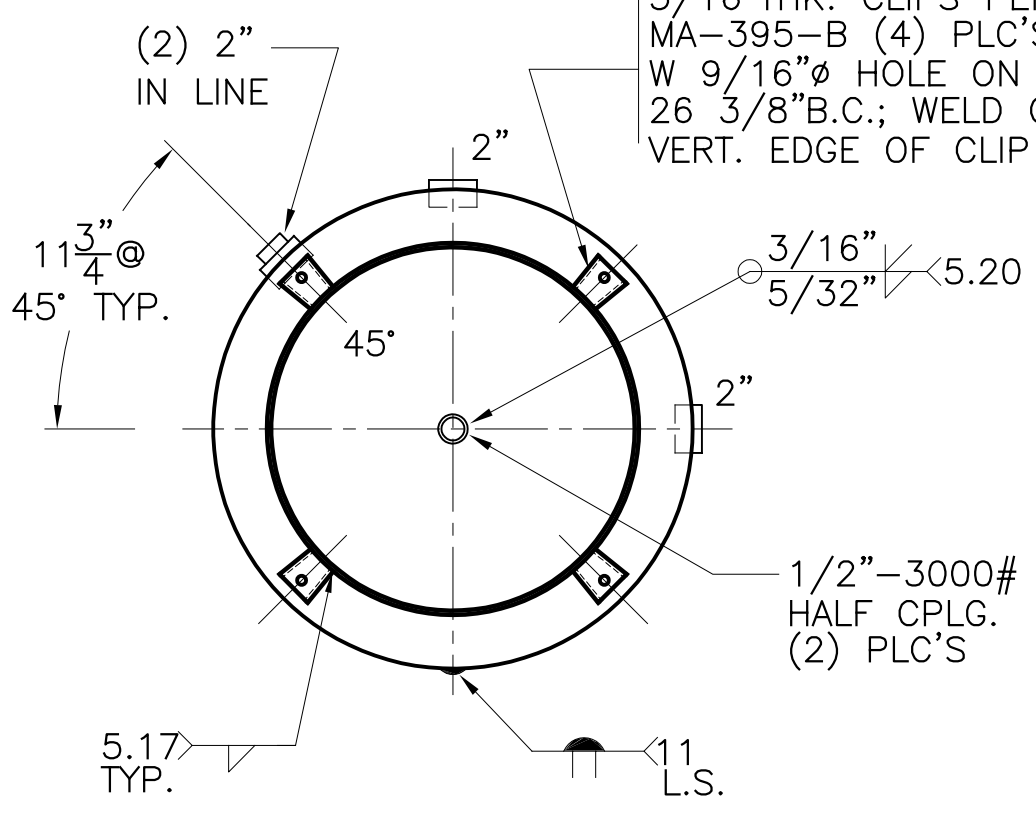


2"-3000#  
HALF CPLG.  
(3) PLC'S

2"-3000# H.C.  
INSP. OPENING  
(2) PLC'S



3/16" THK. CLIPS PER  
MA-395-B (4) PLC'S  
W 9/16" Ø HOLE ON  
26 3/8" B.C.; WELD OUTSIDE  
VERT. EDGE OF CLIP ONLY



NOTE: 1) HYDRO @ 375 PSIG. MIN.

SHELL / HEADS		.281" SA-455 2:1 S.E. JOGGLED		30-VC-200-R ABS-USCG		REV. 9-6-06 DATE: 8-22-85	
.0386 C.A. ON HEADS)				FOR: HANSON STANDARD			
.281" SA-455 (.0388 C.A. ON SHELL)				VERT. AIR TANK			
M.A.W.P. 250 PSIG. @ 650 °F				ABS & USCG VERSION			
M.D.M.T. -0 °F @ 250 PSIG.				NOV. 18, 1985 ABS APPROVAL.			
ASME. SECTION VIII DIV. 1, 2004 ADD 2005				INSIDE: UNPAINTED			
X-RAY: RT-4 SPOT L.S. & HDS. G.S.				OUTSIDE: PRIME			
GALLONS: 200 WT. 667 LBS.				CAD-"B" SIZE UNDER "STD"-SERIES			
SERIAL NO.				BY: J.G. SCALE: 1"=12"			
N.B.				<b>ROY E. HANSON JR. MFG.</b>			
				1600 E. WASHINGTON BLVD.			
				LOS ANGELES, CA 90021			