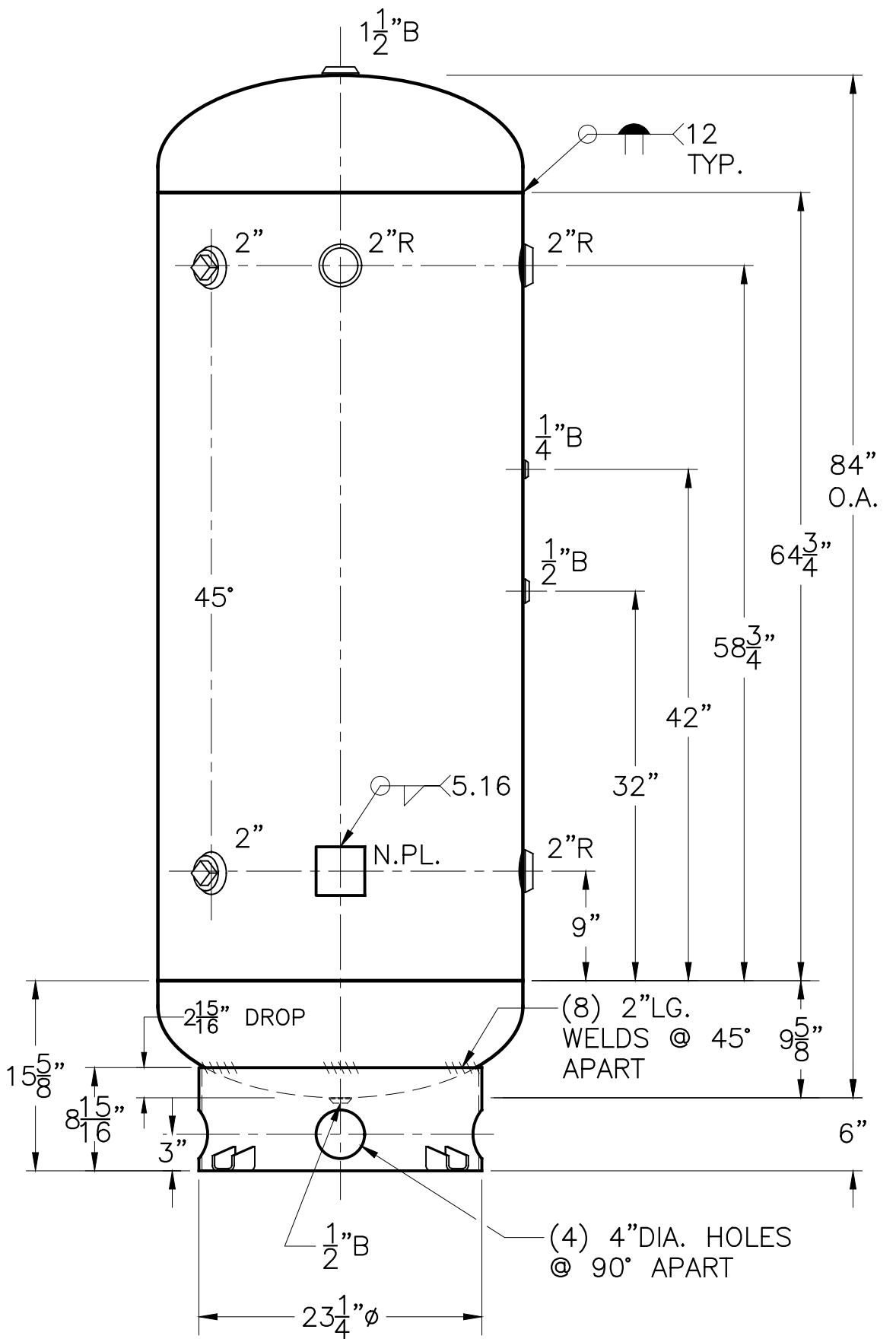
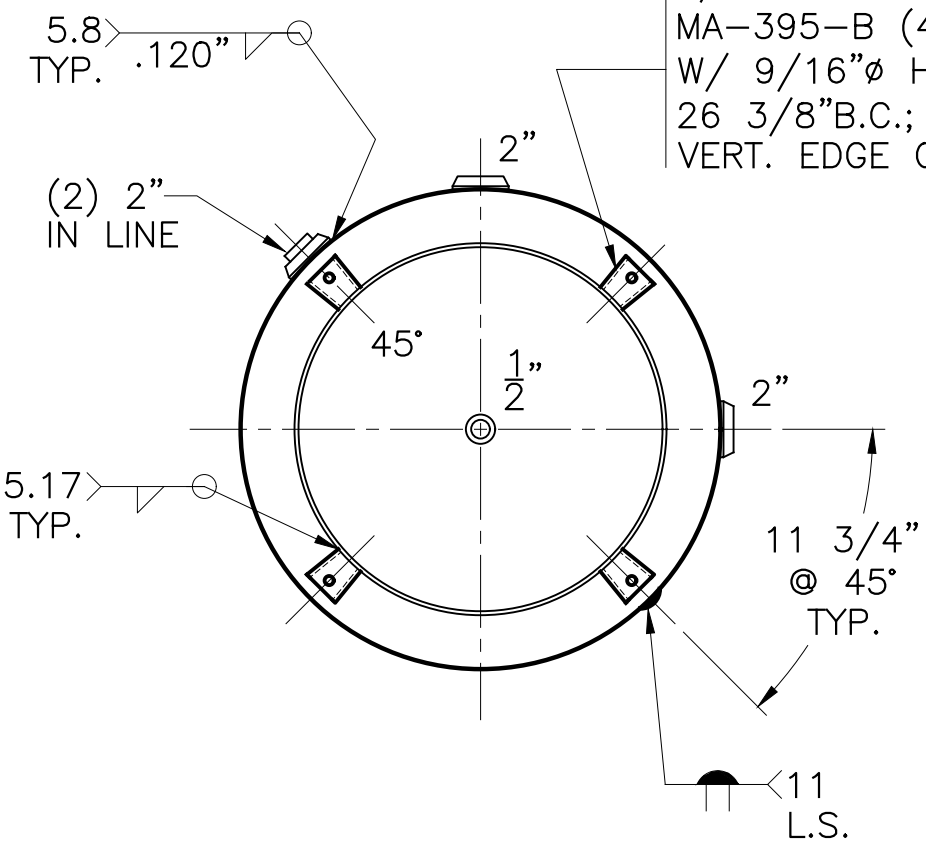


2"R W/C.I. PLUG
INSP. OPENING
(2) PLC'S



3/16" THK. CLIPS PER
MA-395-B (4) PLC'S.
W/ 9/16" phi HOLE ON
26 3/8" B.C.; WELD OUTSIDE
VERT. EDGE OF CLIP ONLY



NOTE: 1) HYDRO @ 262 PSIG. MIN.

SHELL / HEADS		30-VA-240-R		REV. 9-26-06
.250" SA-455		FOR ABS & USCG		DATE: 11-16-04
(.202" MIN.) JOGGLE		FOR: HANSON STANDARD		
.259 OFFSET		VERT. AIR TANK		
.250" SA-455		9-2-80 ABS APPROVAL		
		ABS & USCG APPROVED		
		INSIDE: UNPAINTED		
		OUTSIDE: PRIME		
M.A.W.P.	200	PSIG. @	400	°F
M.D.M.T.	0	°F @	200	PSIG.
ASME. SECTION VIII DIV. 1, 2004 ADD. 2005				
X-RAY:	RT-NO	WT.	682	LBS.
GALLONS:	240			
SERIAL NO.				
N.B.				
BY: J.G.		SCALE: 1"=12"		
ROY E. HANSON JR. MFG.		1600 E. WASHINGTON BLVD. LOS ANGELES, CA 90021		