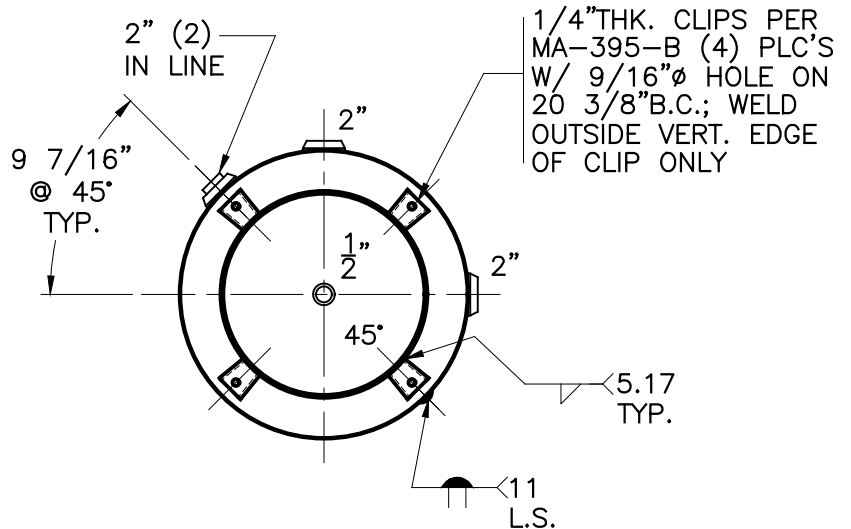
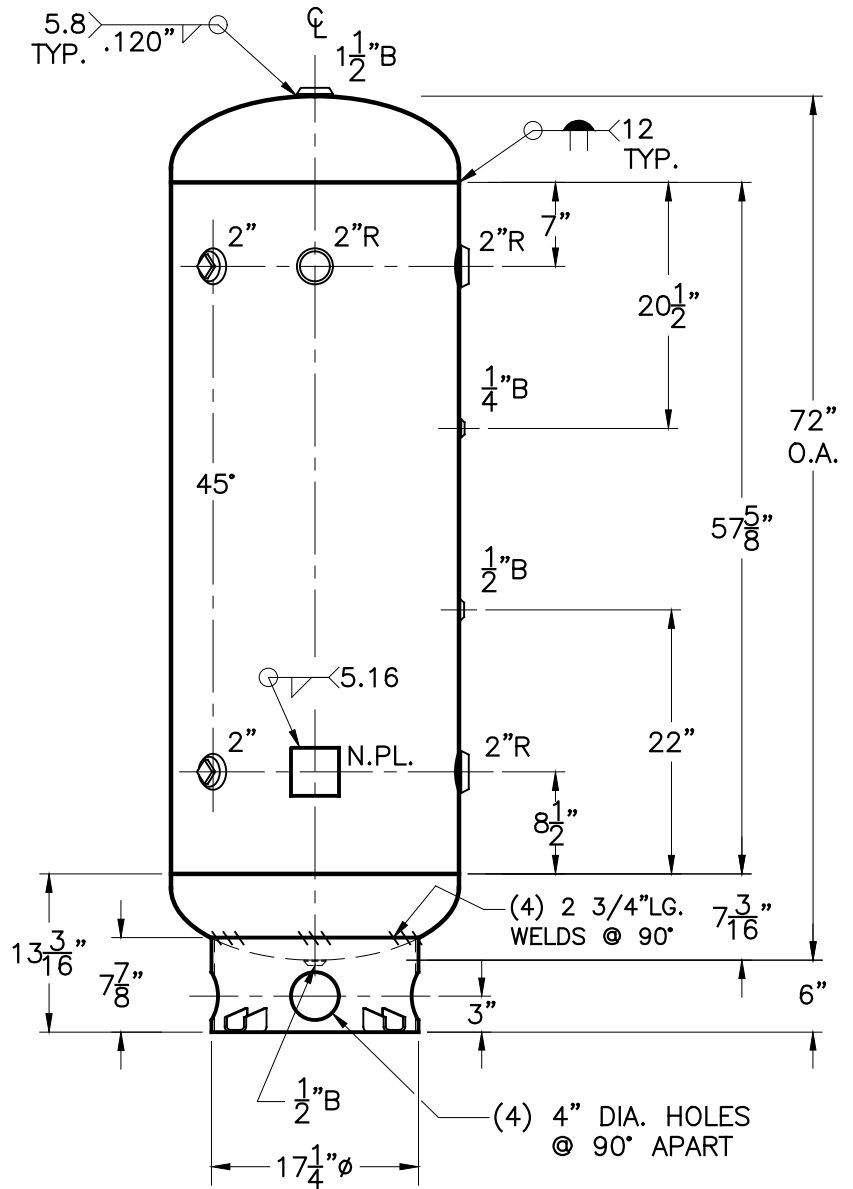


2"R W/ C.I. PLUG FOR INSPECTION OPENINGS
(2) PLC'S.



1/4" THK. CLIPS PER MA-395-B (4) PLC'S W/ 9/16" Ø HOLE ON 20 3/8" B.C.; WELD OUTSIDE VERT. EDGE OF CLIP ONLY

NOTE: 1) HYDRO @ 300 PSIG. MIN.

SHELL / HEADS		24-VA-130-R	
MA.W.P.	200 PSIG. @ 400 °F	ABS & USCG	REV. 8-24-06
M.D.M.T.	0 °F @ 200 PSIG.	FOR: HANSON STANDARD	DATE: 6-28-06
ASME: SECTION VIII	DIV. 1, 2004 ADD 2005	VERT. AIR TANK	
X-RAY:	RT-3 SPOT L.S. & HDS. G.S.	INSIDE: UNPAINTED	
GALLONS:	130 WT. 385 LBS.	OUTSIDE: PRIME	
SERIAL NO.		BY: J.G.	SCALE: 3/4"=12"
N.B.		ROY E. HANSON JR. MFG.	
		1600 E. WASHINGTON BLVD. LOS ANGELES, CA 90021	