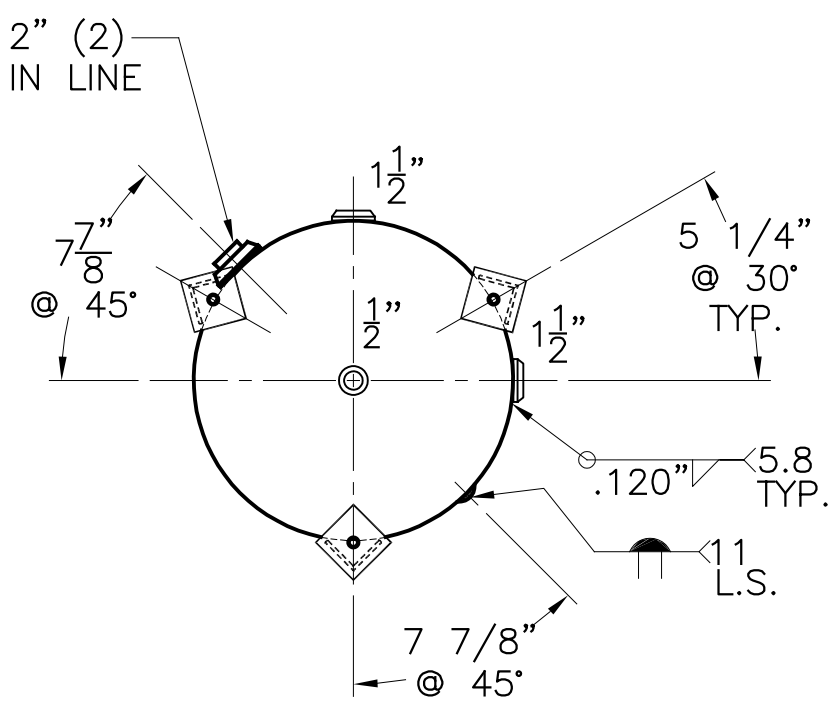


3/16" - CAP  
TYP.

(3) 2 1/2" x 2 1/2" x 3/16" THK.  
x 17 7/8" LG. ANGLE LEGS

(3) 4" x 4" x 1/4" THK.  
PADS W/ 3/4" Ø HOLES



NOTE: 1) HYDRO @ 399 PSIG. MIN.  
2) 9-13-95 APPROVAL OF 20-VD-80-1  
3) WELDS TO. OR JOINING SA-612 HAVE WPS W/SUFFIX "B"

|  |  |                       |  |                                 |  |
|--|--|-----------------------|--|---------------------------------|--|
| SHELL / HEADS                            |  | .201" SA-612 2:1 S.E. |  | 20-VD-80-1                      |  |
| JOGGLE                                   |  |                       |  | ABS                             |  |
|  |  |                       |  | REV. 2-4-05                     |  |
|  |  |                       |  | DATE: 1-25-05                   |  |
|  |  |                       |  | FOR: HANSON STANDARD            |  |
|  |  |                       |  | VERT. AIR TANK                  |  |
|  |  |                       |  | SEE NOTE: 2                     |  |
|  |  |                       |  | INSIDE: UNPAINTED               |  |
| M.A.W.P. 300 PSIG. @ 400 °F              |  |                       |  | OUTSIDE: PRIME                  |  |
| M.D.M.T. -20 °F @ 300 PSIG.              |  |                       |  | CAD "B" SIZE UNDER "STD"-SERIES |  |
| ASME. SECTION VIII DIV. 1, 2004 ADD 2004 |  |                       |  | BY: J.G. SCALE: 1"=12"          |  |
| X-RAY: RT-NO                             |  |                       |  | ROY E. HANSON JR. MFG.          |  |
| GALLONS: 80                              |  | WT. 296 LBS.          |  | 1924 COMPTON AVE.               |  |
| SERIAL NO.                               |  |                       |  | LOS ANGELES, CA 90011           |  |
| N.B.                                     |  |                       |  |                                 |  |