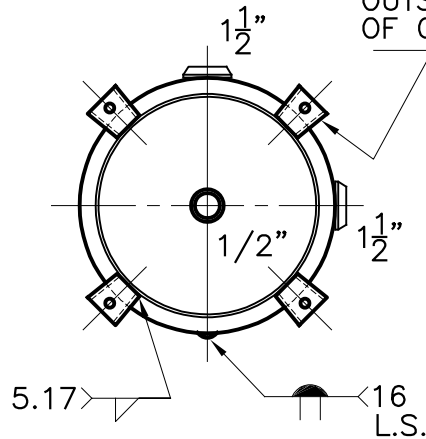


3/16" THK. CLIPS PER
MA-395-B (4) PLC'S
W 9/16" Ø HOLE ON
17 1/8" B.C.; WELD
OUTSIDE VERT. EDGE
OF CLIP ONLY



NOTE: 1) HYDRO @ 391 PSIG. MIN.

SHELL / HEADS	
.166" SA-414-G	2:1 S.E.
JOGGLE/.159" OFFSET	
.182" SA-414-G	
M.A.W.P.	300 PSIG. @ 400 °F
M.D.M.T.	0 °F @ 300 PSIG.
ASME SECTION VIII	DIV. 1, 2004 ADD 2005
X-RAY:	RT-NO
GALLONS:	30 WT. 103 LBS.
SERIAL NO.	
N.B.	
16-VD-30-R	REV. 8-23-06
ABS & USCG	DATE: 8-9-06
FOR: HANSON STANDARD	
VERT. AIR TANK	
INSIDE:	UNPAINTED
OUTSIDE:	PRIME
BY: R.N.	SCALE: 1"=12"
ROY E. HANSON JR. MFG.	
1600 E. WASHINGTON BLVD. LOS ANGELES, CA 90021	