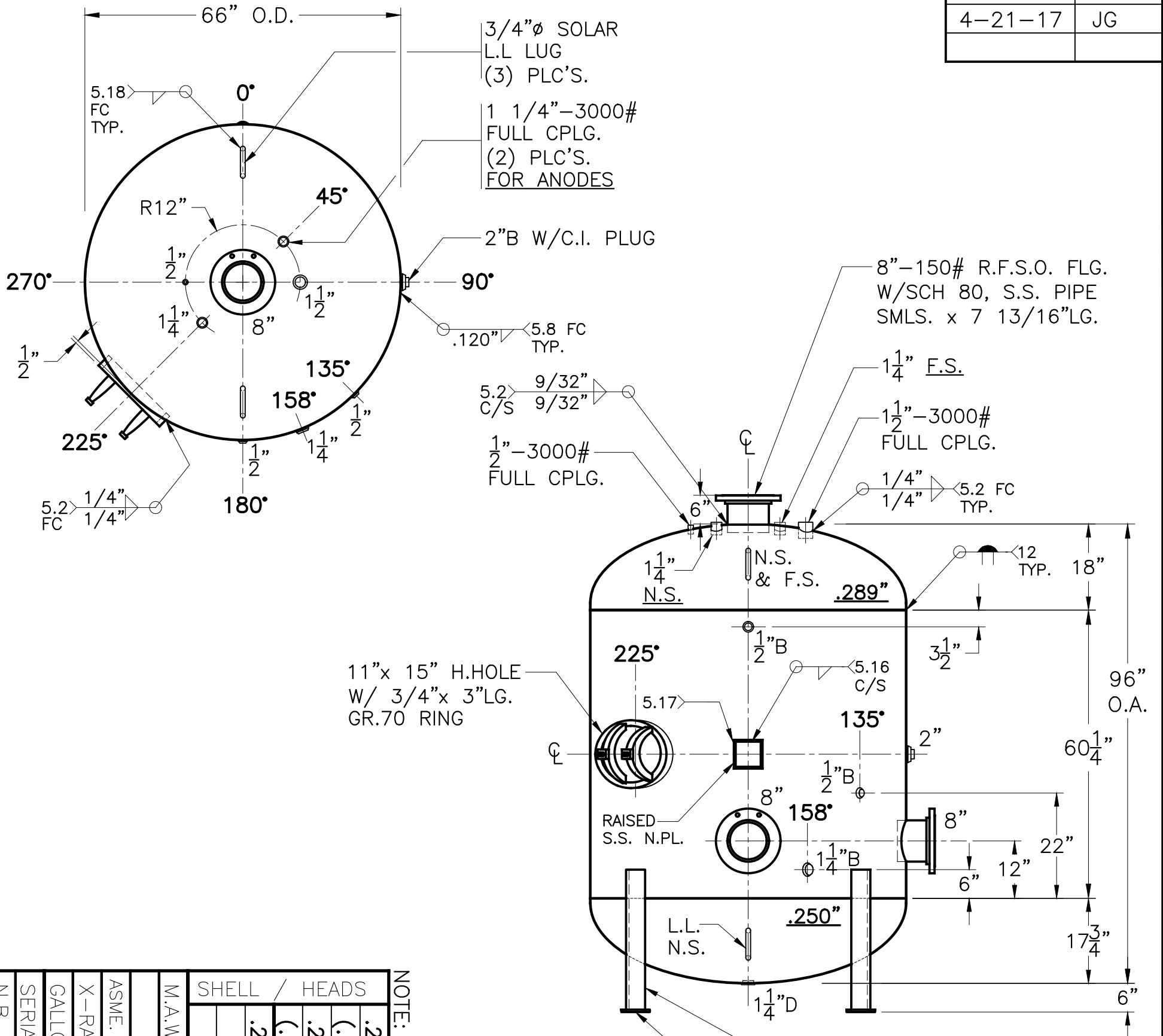


DATE	BY
4-21-17	JG



3/4"φ SOLAR L.L. LUG (3) PLC'S.
 1 1/4"-3000# FULL CPLG. (2) PLC'S. FOR ANODES

8"-150# R.F.S.O. FLG. W/SCH 80, S.S. PIPE SMLS. x 7 13/16"LG.

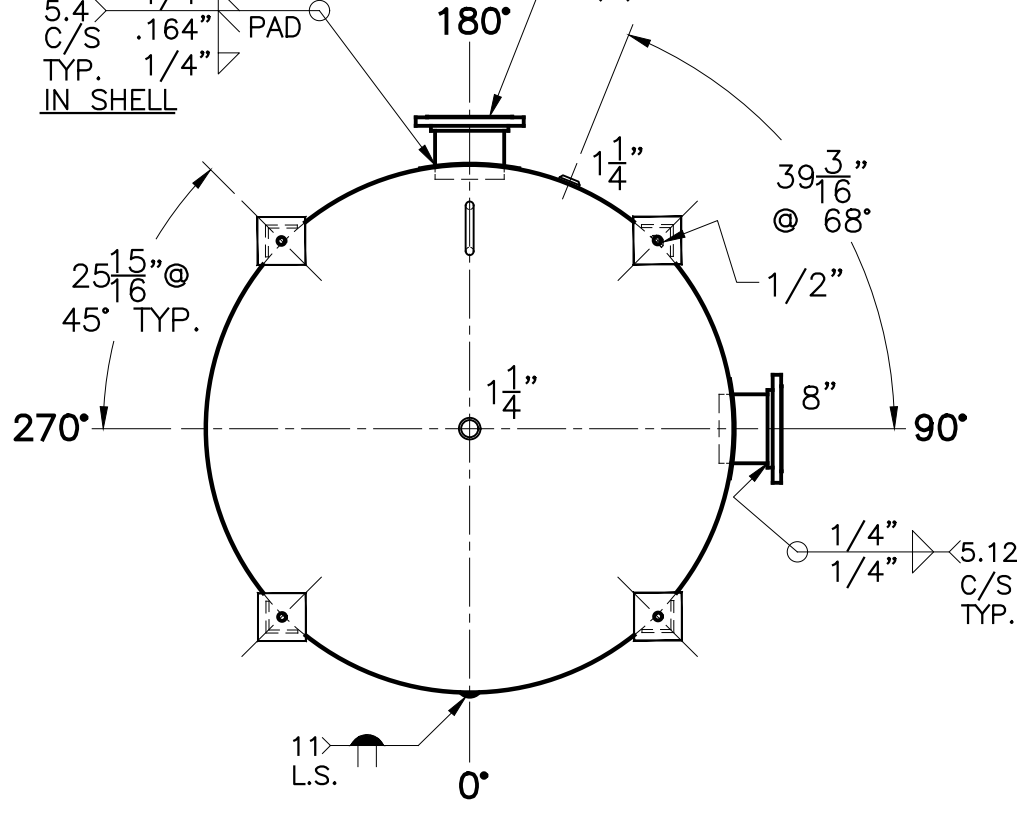
11"x 15" H.HOLE W/ 3/4"x 3"LG. GR.70 RING

(4) 4"x 4"x 3/8"THK. x 29 1/4"LG. ANGLE LEGS

(4) 6"x 6"x 1/2"THK. PAD W/ 1"φ HOLE

8"-150# R.F.S.O. FLG. W/SCH 40, S.S. PIPE SMLS. x 7 13/16"LG. W/.164" SA-414-G x 12 5/8"φ PAD W/WEEP HOLE (2) PLC'S

5.4 C/S 1/4" TYP. 1/4" IN SHELL



NOTE: 1) HYDRO @ 188 PSIG. MIN. TO 197 PSIG. MAX.
 2) SHIP LOOSE W/(2) 1 5/16" x 72"LG. FLEX. MAG. ANODES.
 3) PIPES SA-312-304 SMLS. S.S.
 4) 3-26-04 PROOF TEST.

ASME SECTION IV 2015 X-RAY: RT-NO / H.L.W. GALLONS: 1260 WT. 2280 LBS. SERIAL NO. N.B.	SHELL / HEADS	.289" SA-455 2:1 S.E. (.256" MIN.)
		.250" SA-455 2:1 S.E. (.217" MIN.)
		.250" SA-455
	M.A.W.P. 125 PSIG. @ 210 °F	
	FOR: VERT. WATER TANK	WP-242-B
	SURFACE AREA = 154.8 SQ. FT.	REV: DATE: 4-21-17
	INSIDE: GLASS LINED (5 MILS. MIN.)	
	OUTSIDE: S.BLAST AND PRIME	
	LEG-ZONE 4-15 KM.	
	BY: J.G. / H.D. SCALE: 1/2"=12"	
	ROY E. HANSON JR. MFG.	
	LOS ANGELES, CA 90011	