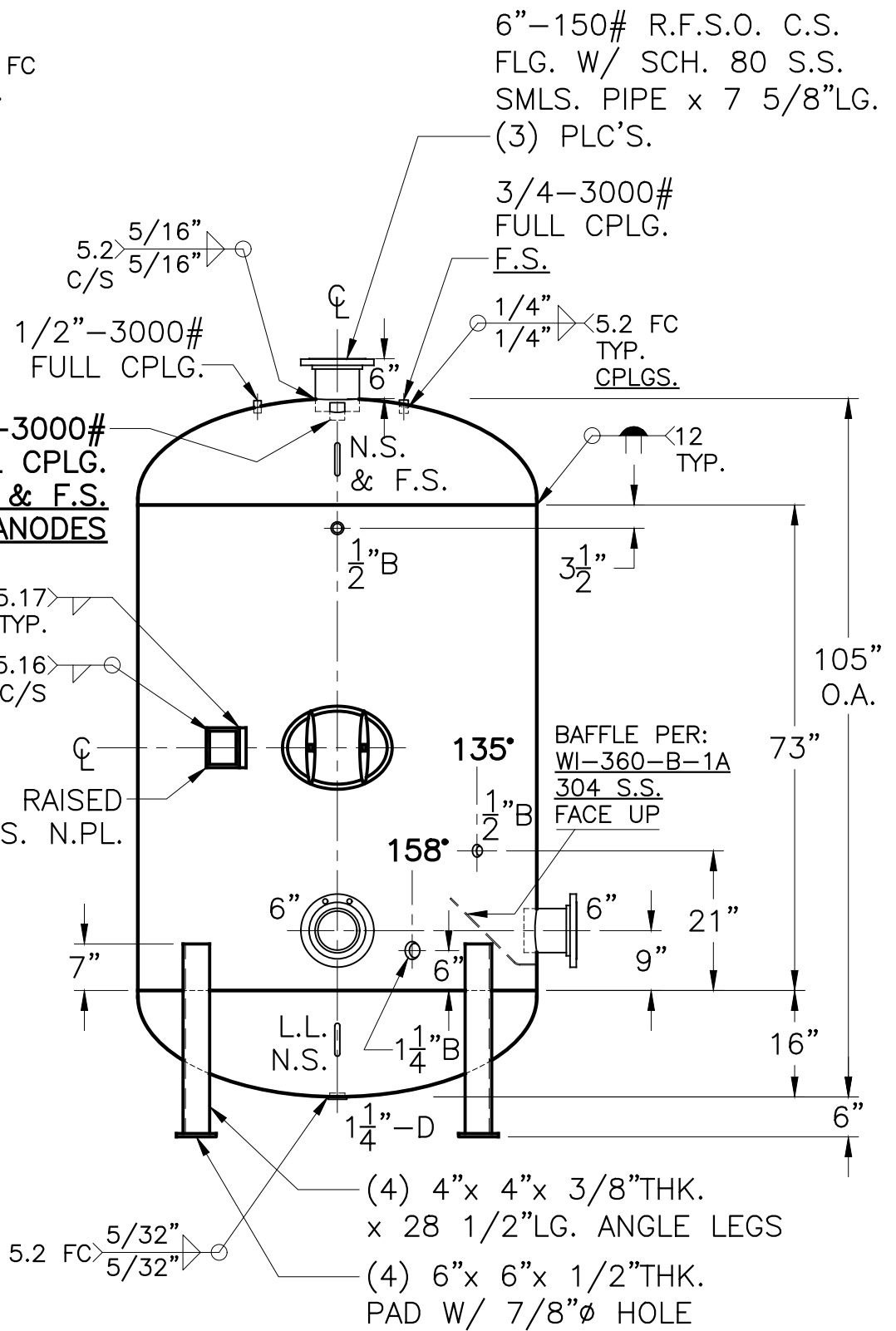
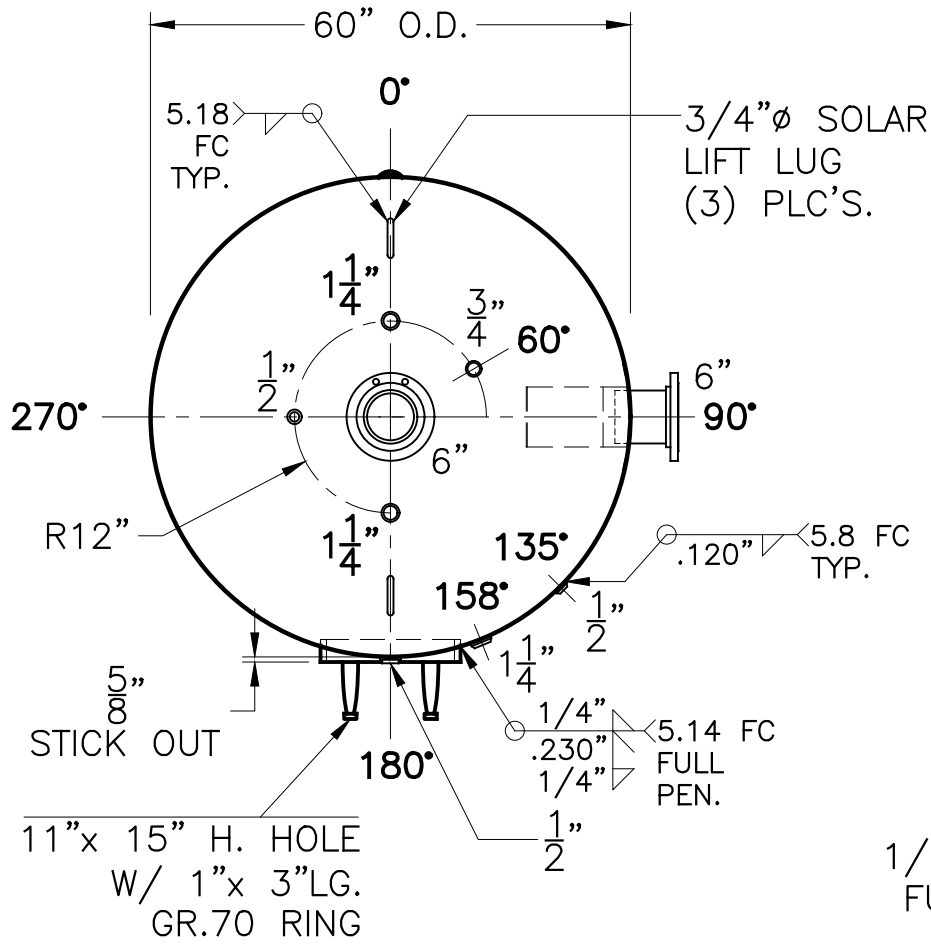


DATE	BY
12-8-16	JG



SHELL / HEADS	
.250" SA-455	2:1 S.E.
(.221" MIN.)	
.230" SA-414-G	
M.A.W.P. 125	PSIG. @ 210 °F
ASME SECTION IV	2015
X-RAY: RT-NO / H.L.W.	
GALLONS: 1164	WT. 2075 LBS.
SERIAL NO.	
N.B.	

NOTE: 1) 5-6-04 PROOF TEST.
 2) ALL PIPES SA-312-304 SMLS.
 3) HYDRO @ 188 PSIG. MIN. TO 197 PSIG. MAX.
 4) SHIP LOOSE W/ (2) 1 5/16" x 72" LG. FLEX. MAG. ANODES.

WP-122-B	
FOR: VERT. HOT WATER TANK	REV: 12-8-16
SURFACE AREA = 150.9 SQ. FT.	DATE: 12-8-16
INSIDE: GLASS LINED	
(5 MILLS MIN.)	
OUTSIDE: S. BLAST, PRIME & R-16	
LEG-ZONE 4-15 KM.	
BY: E.S. / R.V. SCALE: 1/2"=12"	
ROY E. HANSON JR. MFG.	
LOS ANGELES, CA 90021	

