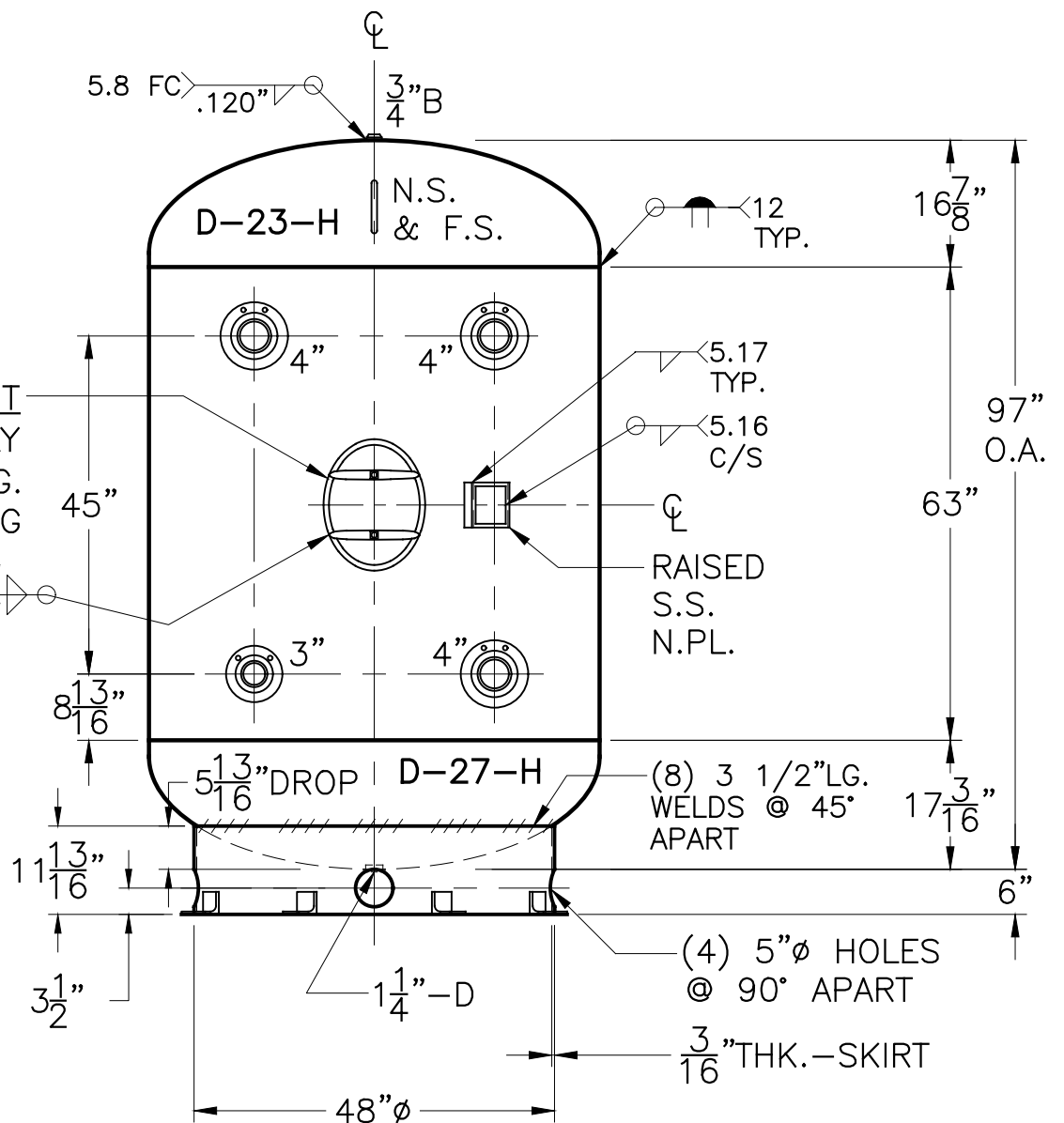
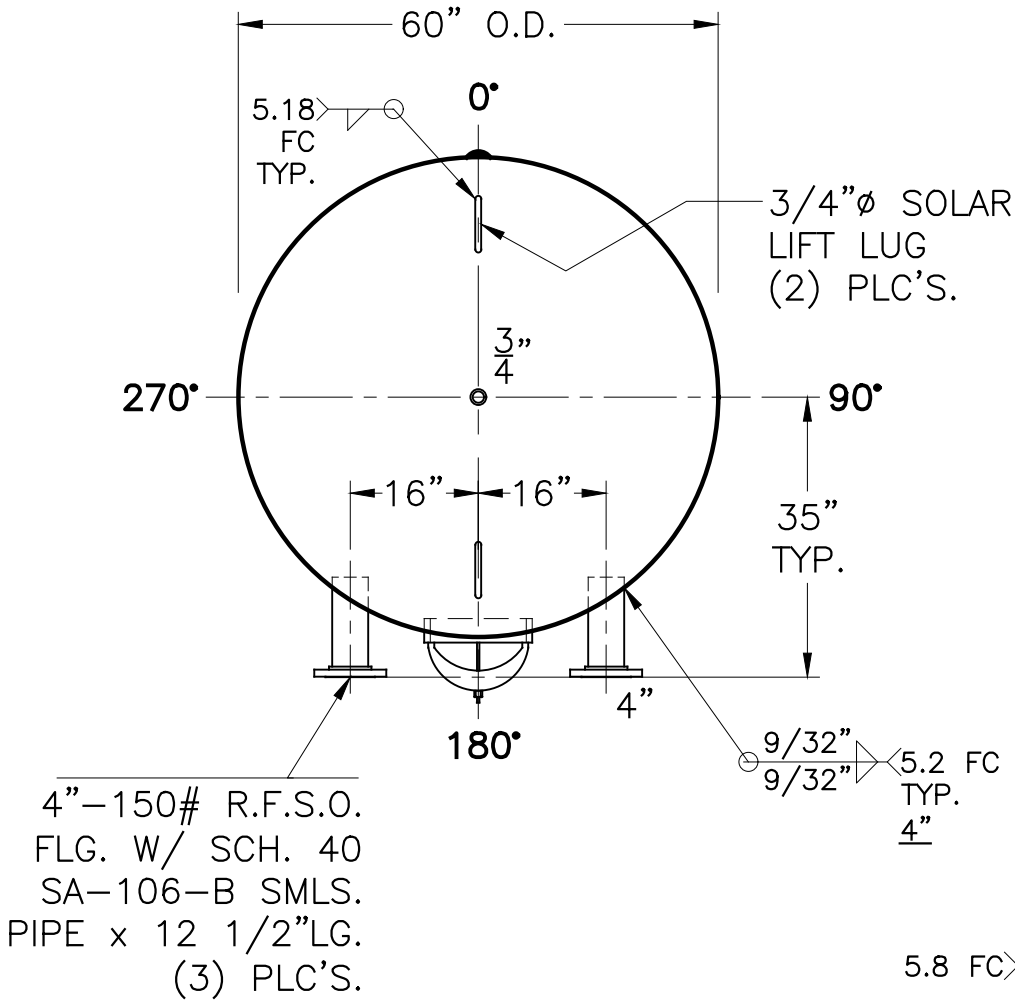
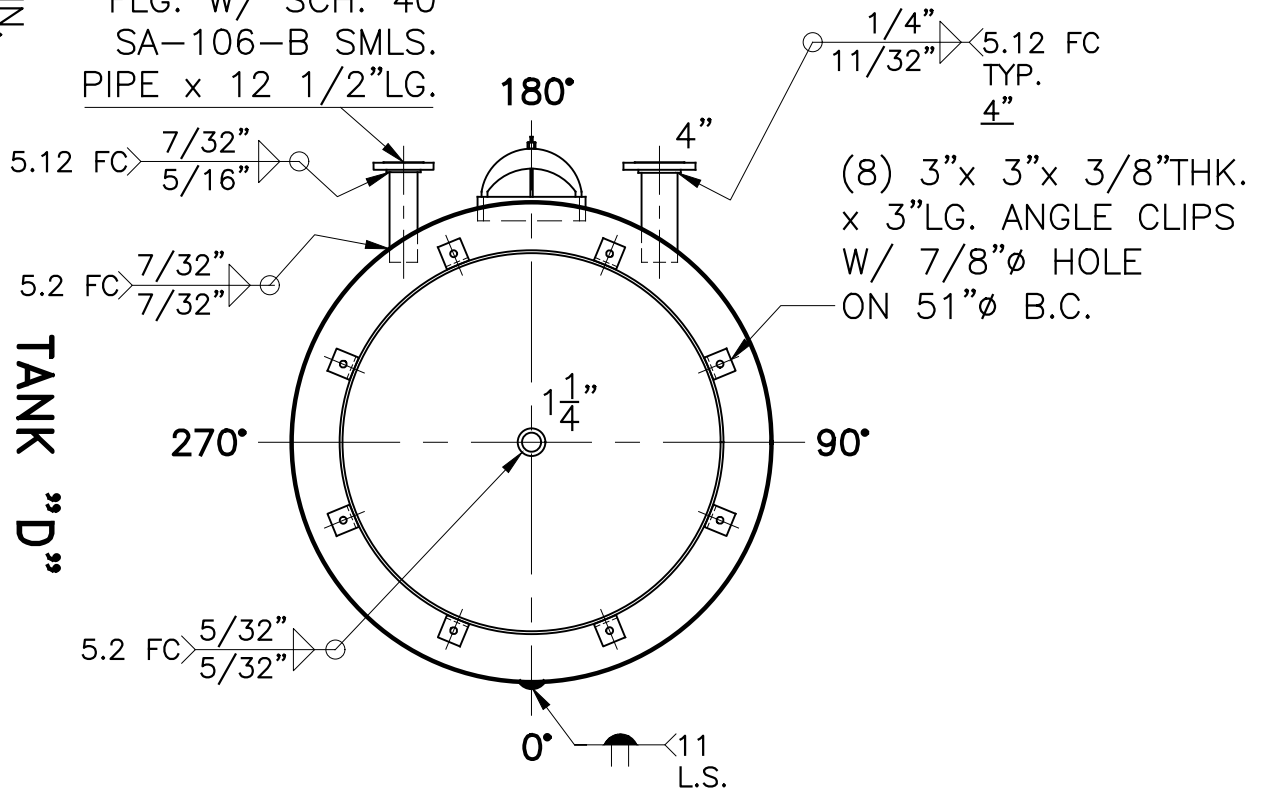


DATE	BY
12-17-15	JG
12-28-15	JG
12-29-15	JG
12-31-15	JG



3"-150# R.F.S.O. FLG. W/ SCH. 40 SA-106-B SMLS. PIPE x 12 1/2" LG.



NOTE: 1) TAG: HST-2  
2) HYDRO @ 163 PSIG. MIN.

TANK "D"

SHELL / HEADS	
.252" SA-455	2:1 S.E.
(.231" MINIMUM)	
M.A.W.P. 125 PSIG. @ 250 °F	
M.D.M.T. -20 °F @ 125 PSIG.	
ASME SECTION VIII DIV. 1, 2015	
X-RAY: RT-NO	
GALLONS: 1040	WT. 1968 LBS.
SERIAL NO.	
N.B.	
FOR: VERT. WATER/GLYCOL TANK	
W0-792-B	REV. 12-31-15
DATE: 12-17-15	
SCALE: 1/2" = 12"	
BY: E.S. / C.J.	
ROY E. HANSON JR. MFG.	
LOS ANGELES, CA 90021	
OUTSIDE: PRIME & R-16	
INSIDE: UNPAINTED	
SURFACE AREA = 150.0 SQ. FT.	
UW-21(b)	