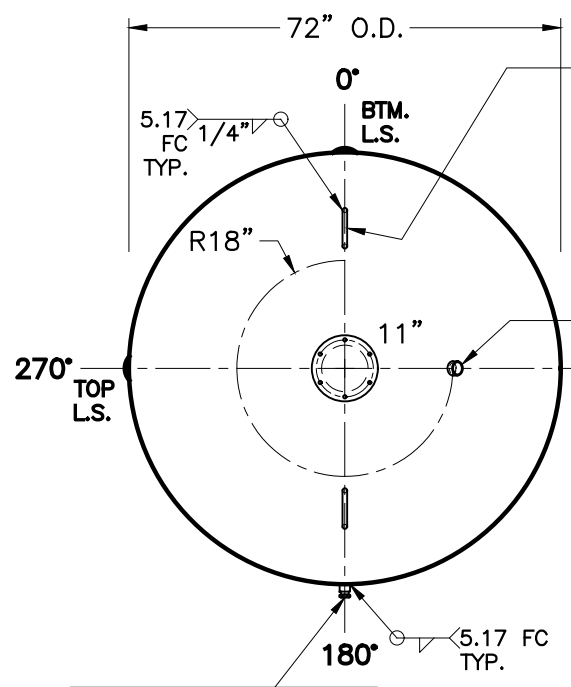


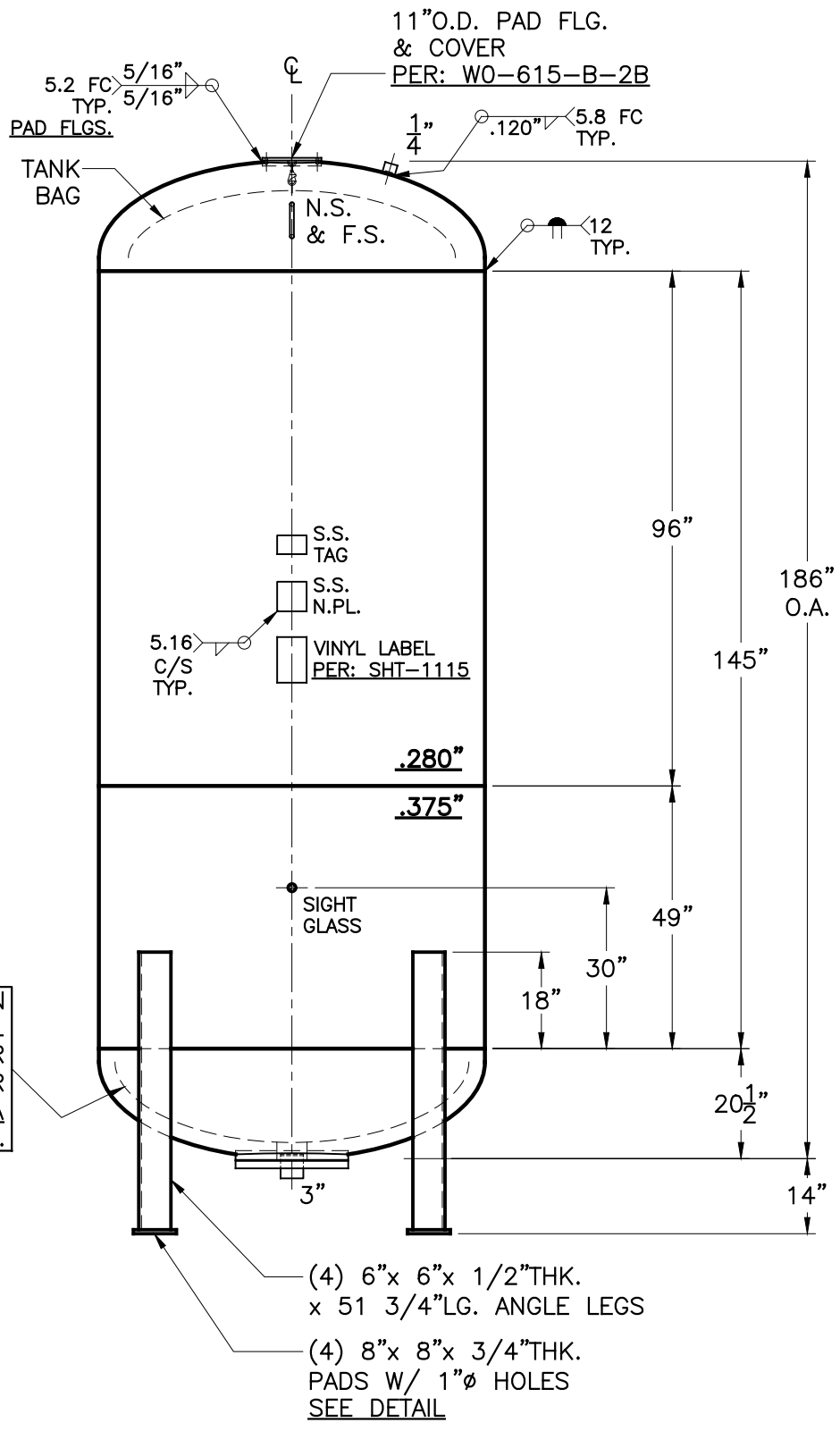
DATE	BY
6-17-15	JG



PHOENIX
L. LUG
(2) PLC'S.

1/4" B W/ BRASS
CHARGING VALVE
McMASTER #8063K37
W/ 2" SCH. 40
PIPE GUARD x 2" LG.

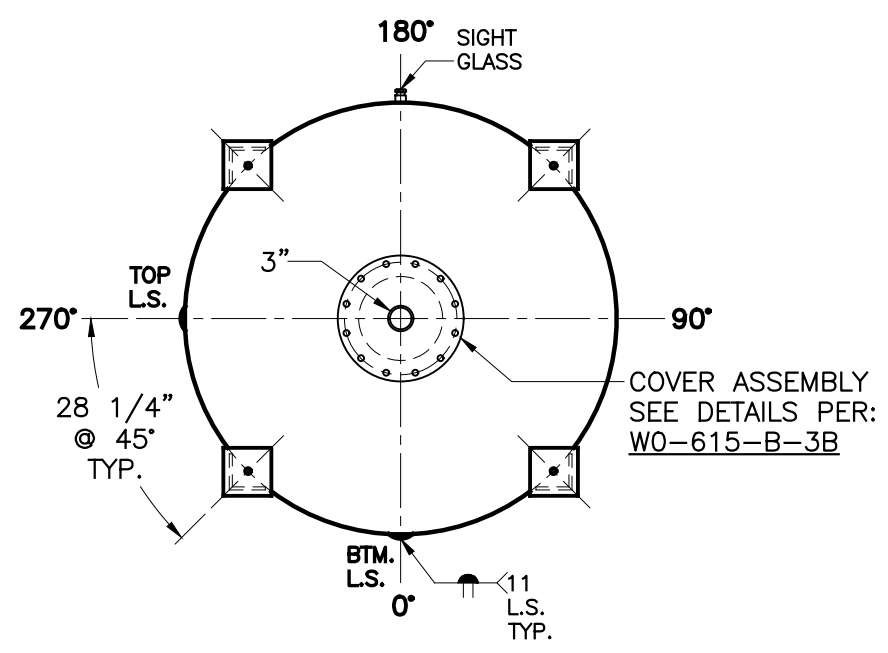
1"-3000# HALF CPLG.
W/ SIGHT GLASS
SEE: WO-615-B-2B



3000 GALLON
CHLOROBUTYL
TANK LINER
W/ COLLAR
PER: WM-681-A
WT: 281 LBS.

(4) 6"x 6"x 1/2" THK.
x 51 3/4" LG. ANGLE LEGS

(4) 8"x 8"x 3/4" THK.
PADS W/ 1" Ø HOLES
SEE DETAIL



DURING BLADDER INSTALLATION, USE CARE SO THAT THE FINAL BAG POSITION HAS ALL TWISTED OR TURNED PORTIONS REMOVED. THE FOLLOWING METHOD IS SUGGESTED, AFTER INSTALLING THE BLADDER, SLIGHTLY INFLATE OR EXPAND THE BAG THROUGH THE 3" SYSTEM CONNECTION. THIS HELPS FILL OUT THE BAG SO ONE CAN PROPERLY POSITION THE BLADDER INSIDE THE TANK BY REMOVING ANY TWISTS OR KINKS. THIS SHOULD BE DONE BEFORE ATTACHING THE SNAP CONNECTOR (ON THE ACCESS COVER PLT). DO NOT ALLOW BLADDER TO PUSH THRU THE ACCESS FLG. OPENING DURING INFLATION. NEXT ATTACH THE SNAP CONNECTOR ONTO THE CHAIN CONNECTOR & ONTO THE EYE-HOLE OF THE PLATE BRKT AT THE END OF THE BLADDER STRAP. LASTLY, DEFLATE BLADDER & COMPLETE THE ASSEMBLY.

NOTE: 1) 316 S.S. WETTED PARTS.
2) FOR NON-CORROSIVE SERVICE BLADDER TANK.
3) HYDRO @ 163 PSIG. MIN.

SHELL / HEADS	
.289" SA-455 2:1 S.E.	(.260" MIN.)
TOP-.280" SA-455 @ 96"	
BTM-.375" SA-455 @ 45"	
M.A.W.P. 125 PSIG @ 240 °F	
M.D.M.T. +32 °F @ 125 PSIG	
ASME SECTION VIII DIV. 1, 2013	
X-RAY: RT-4 SPOT .280" L.S. ONLY	
GALLONS: 3000	WT. 4987 LBS.
SERIAL NO.	
N.B.	

WO-615-B	
FOR: VERT. BLADDER TANK	REV. DATE: 6-16-15
SURFACE AREA = 313.7 SQ. FT.	
INSIDE: UNPAINTED	
OUTSIDE: S. BLAST, INORGANIC	
ZINC PRIMER, EPOXY,	
WHITE URETHANE TOP COAT	
LEG-ZONE 1-15 KM.	
BY: ES. / S.E. SCALE: 3/8"=12"	
ROY E. HANSON JR. MFG.	
1600 E. WASHINGTON BLVD.	
LOS ANGELES, CA 90021	