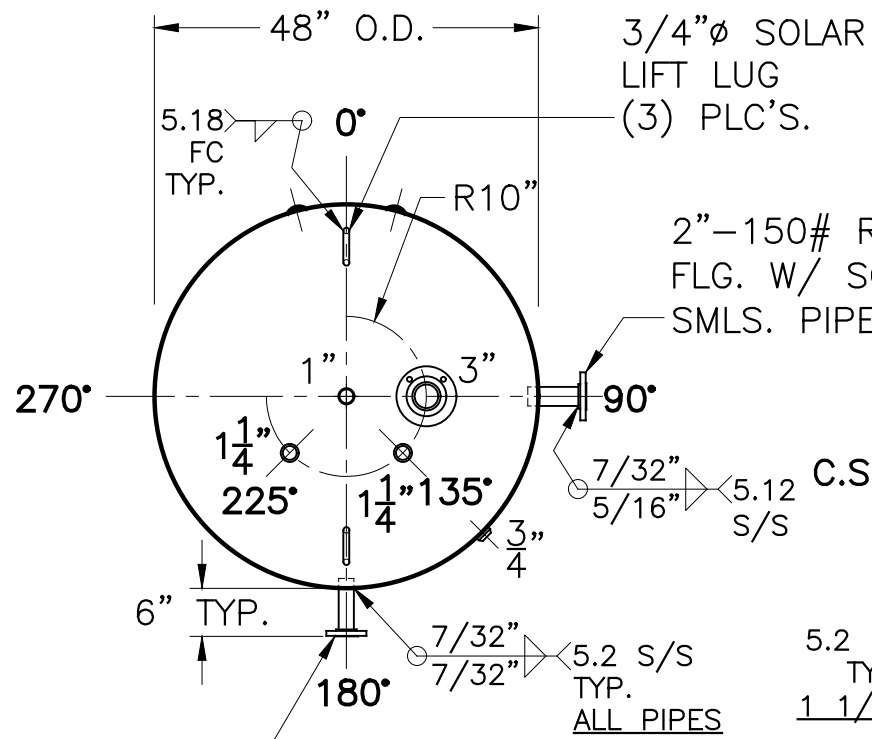


DATE	BY
3-2-15	JG
3-11-15	JG
3-16-15	JG

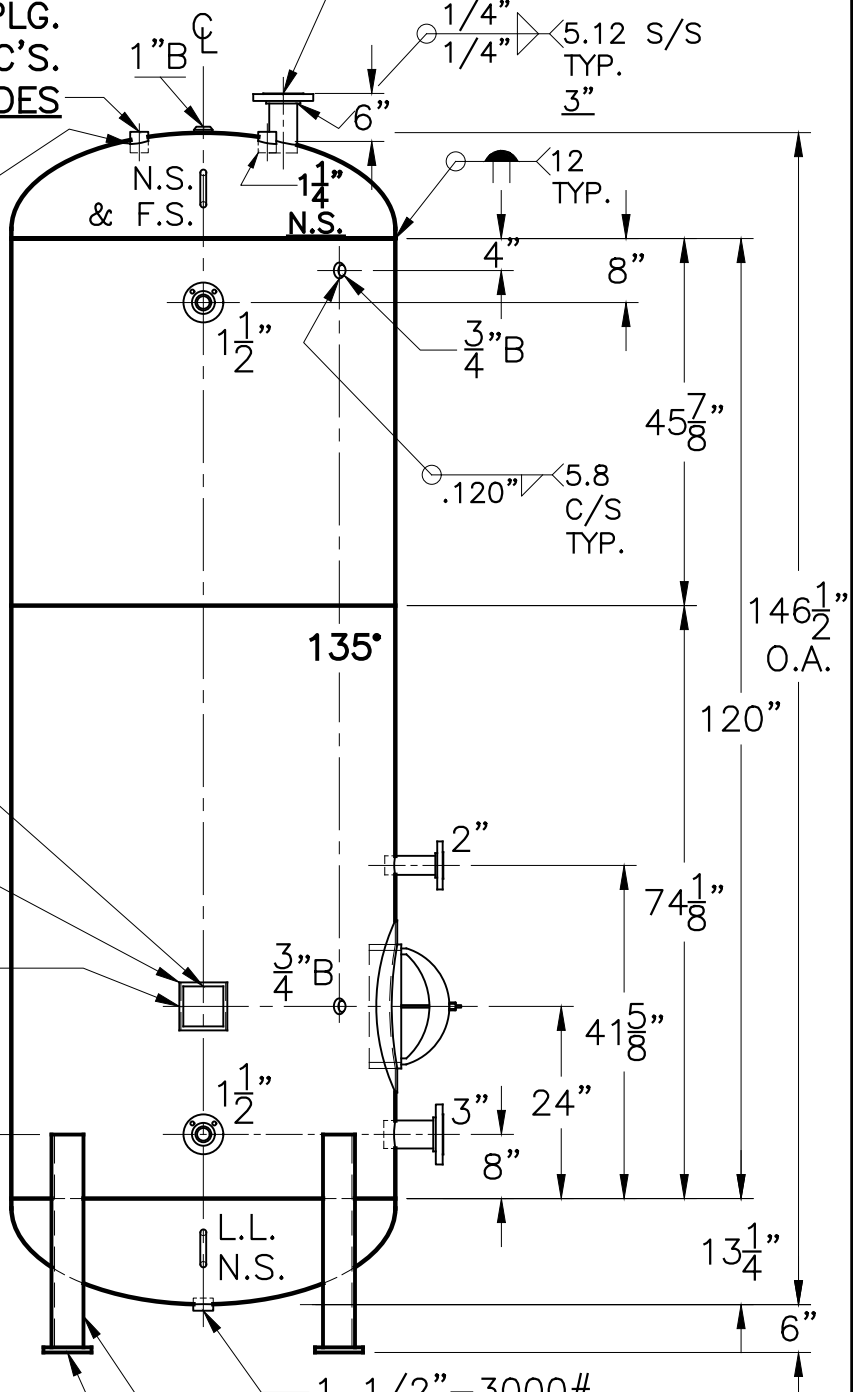


1 1/2" - 150# R.F.S.O. S.S. FLG. W/ SCH. 80 S.S. SMLS. PIPE x 7" LG. (2) PLC'S.

1 1/4" - 3000# C.S. FULL CPLG. (2) PLC'S. FOR ANODES

3" - 150# R.F.S.O. S.S. FLG. W/ SCH. 80 S.S. SMLS. PIPE x 7 1/8" LG. (2) PLC'S.

5.2 FC TYP. 1 1/4"

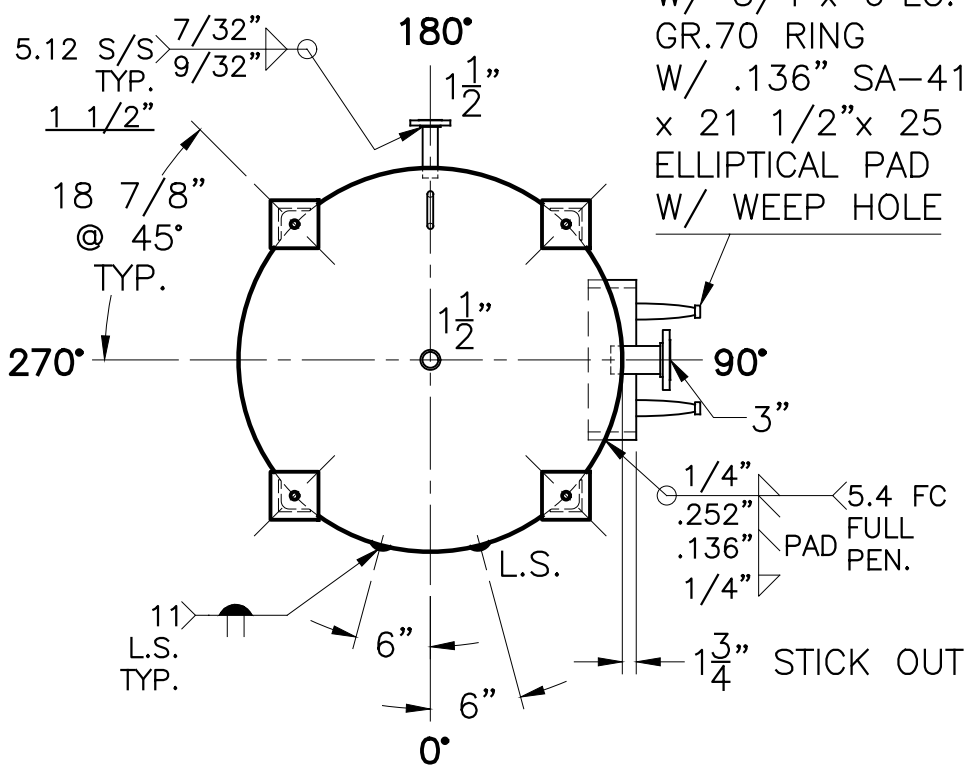


5.16 C/S
5.17 TYP.

RAISED S.S. N.PL.

1 1/2" - 3000# HALF CPLG.
(4) 4" x 4" x 3/8" THK. x 26 5/8" LG. ANGLE LEGS
(4) 6" x 6" x 5/8" THK. PAD W/ 1" Ø HOLE

14" x 18" M. WAY W/ 3/4" x 6" LG. GR.70 RING W/ .136" SA-414-G x 21 1/2" x 25 1/2" ELLIPTICAL PAD W/ WEEP HOLE



- NOTE: 1) HYDRO @ 225 PSIG. MIN. TO 235 PSIG. MAX.
2) SHIP LOOSE W/ (2) 1 5/16" x 84" LG. FLEX. MAG. ANODES.
3) ALL FNPT'S SA-182-304 S.S. EX. 1 1/4" FOR ANODE-C.S.
4) ALL FLGS. SA-182-304 S.S.
5) ALL PIPES SA-312-304 SMLS.

SHELL / HEADS	
JOGGLE	.245" SA-455 2:1 S.E.
	.252" SA-455
M.A.W.P.	150 PSIG. @ 210 °F
ASME SECTION IV	2013
X-RAY:	RT-NO / H.L.W.
GALLONS:	1065 WT. 2200 LBS.
SERIAL NO.	
N.B.	

FOR:	VERT. HOT WATER TANK
	SURFACE AREA = 163.5 SQ. FT.
INSIDE:	GLASS LINED
OUTSIDE:	S. BLAST, INORGANIC ZINC PRIME & R-16
BY:	E.S. / S.E. SCALE: 1/2" = 12"
ROY E. HANSON JR. MFG.	
1600 E. WASHINGTON BLVD. LOS ANGELES, CA 90021	
REV.	3-16-15
DATE:	3-2-15