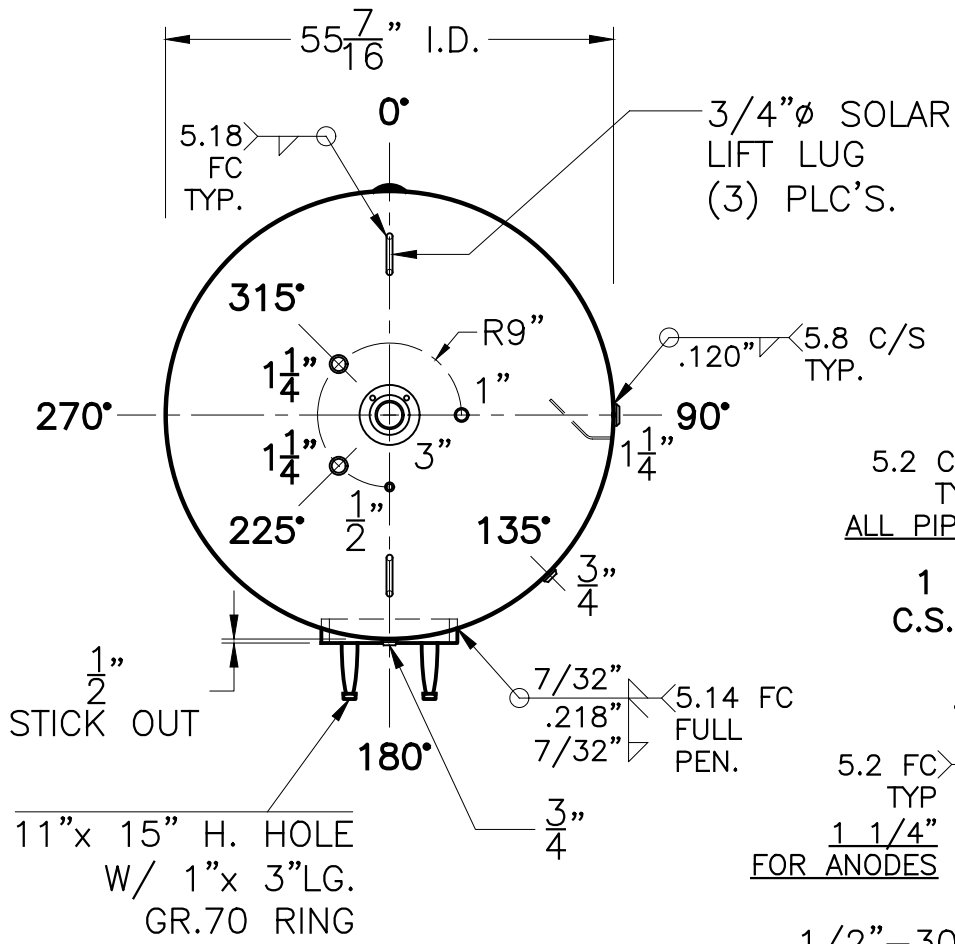
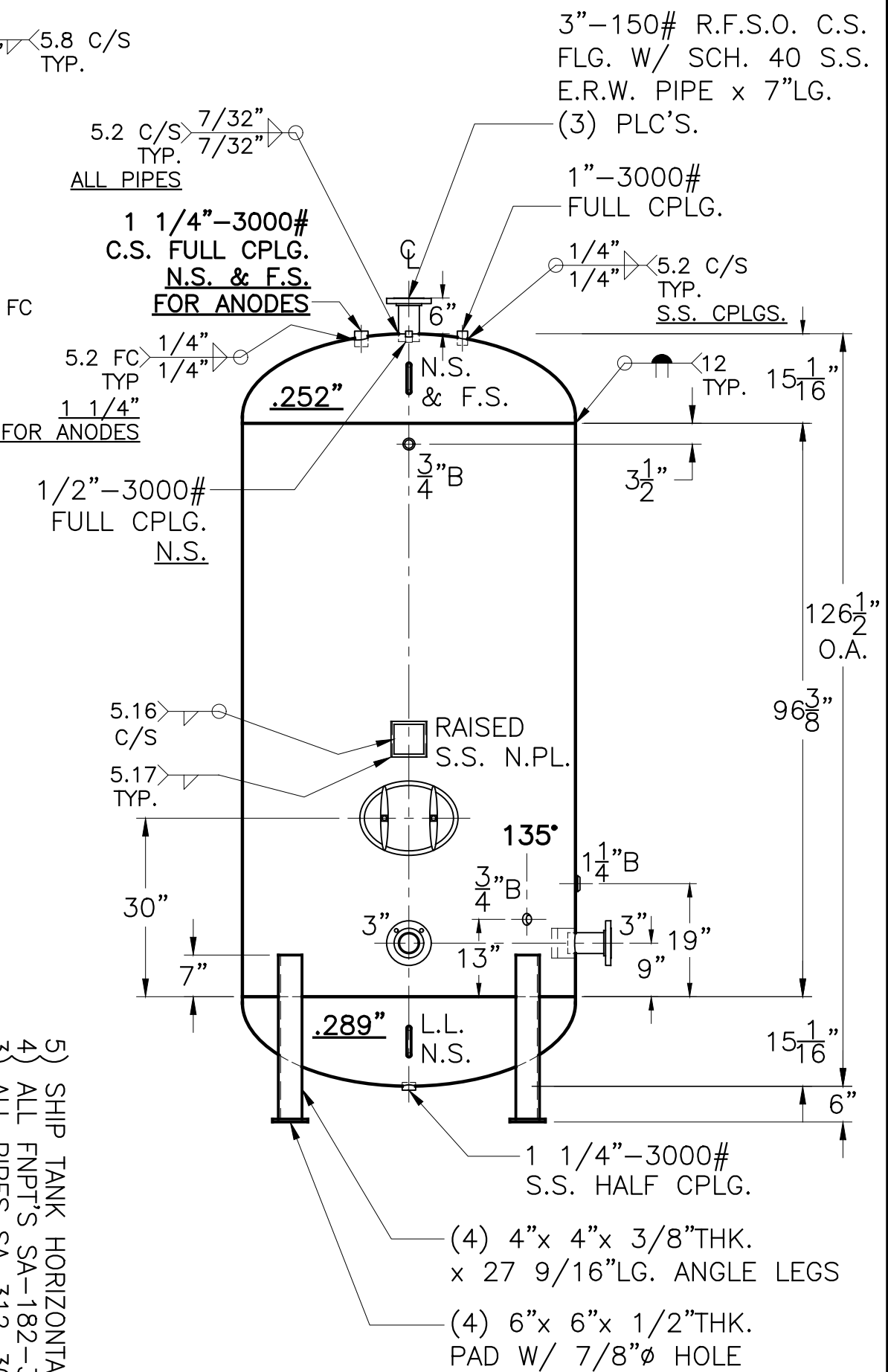


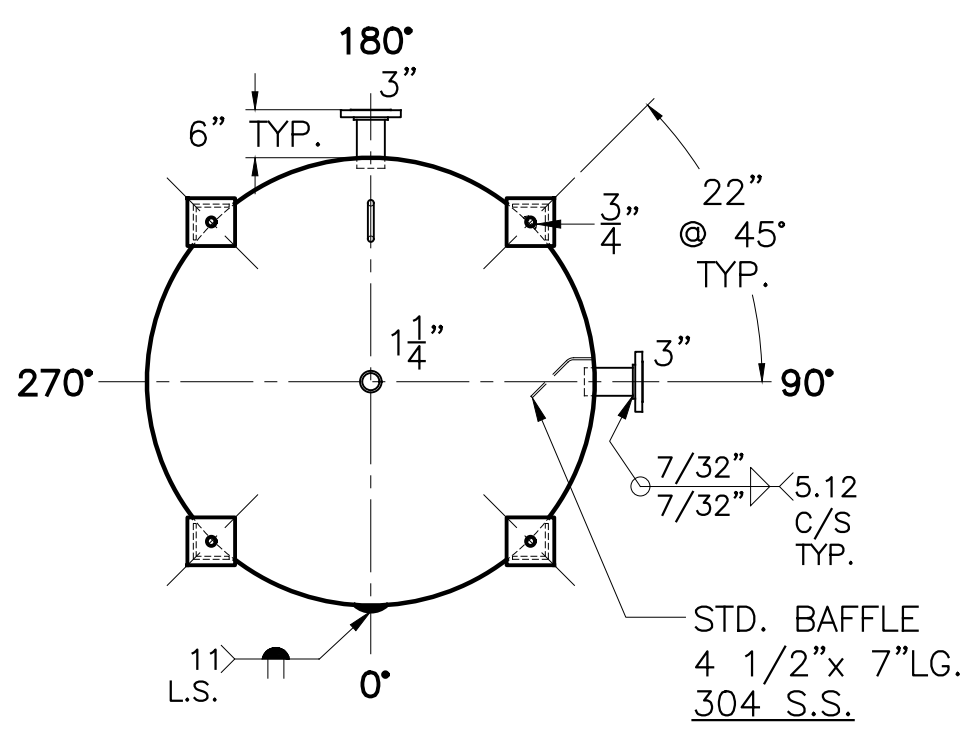
DATE	BY
5-22-14	JG
5-30-14	ES
6-26-14	RH
9-25-14	JG
9-30-14	JG



11"x 15" H. HOLE
W/ 1"x 3" LG.
GR.70 RING



- NOTE: 1) SHIP LOOSE W/ (2) 1 5/16" x 72" LG. FLEX. MAG. ANODES.
 2) HYDRO @ 188 PSIG. MIN. TO 197 PSIG. MAX.
 3) ALL PIPES SA-312-304 E.R.W.
 4) ALL FNPT'S SA-182-304 S.S. EX. 1 1/4" FOR ANODES-C.S.
 5) SHIP TANK HORIZONTAL, 0° DOWN.



SHELL / HEADS	
TOP-.252" SA-455	2:1 S.E.
(.234" MIN.)	
BTM-.289" SA-455	2:1 S.E.
(.257" MIN.)	
.218" SA-455	
M.A.W.P.	125 PSIG. @ 210 °F
ASME SECTION IV	2013
X-RAY:	RT-NO / H.L.W.
GALLONS:	1225 WT. 2078 LBS.
SERIAL NO.	
N.B.	
WO-240-B	
REV.	10-1-14
DATE:	5-22-14
FOR:	VERT. HOT WATER TANK
	SURFACE AREA = 165.7 SQ. FT.
INSIDE:	GLASS LINED
OUTSIDE:	S. BLAST & PRIME
LEG-ZONE	4-15 KM.
BY: ES. / C.J.	SCALE: 1/2"=12"
ROY E. HANSON JR. MFG.	
1600 E. WASHINGTON BLVD. LOS ANGELES, CA 90021	