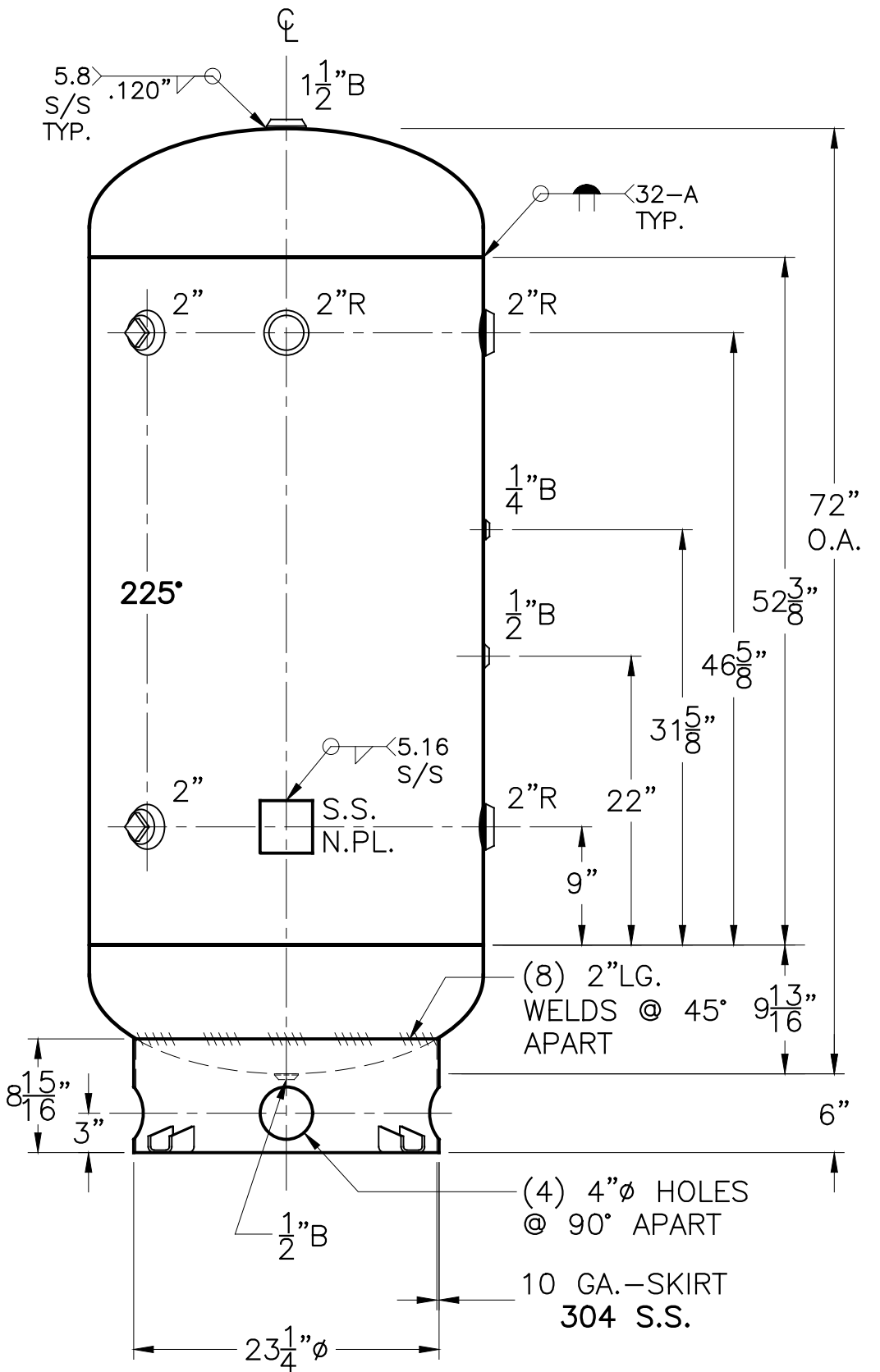
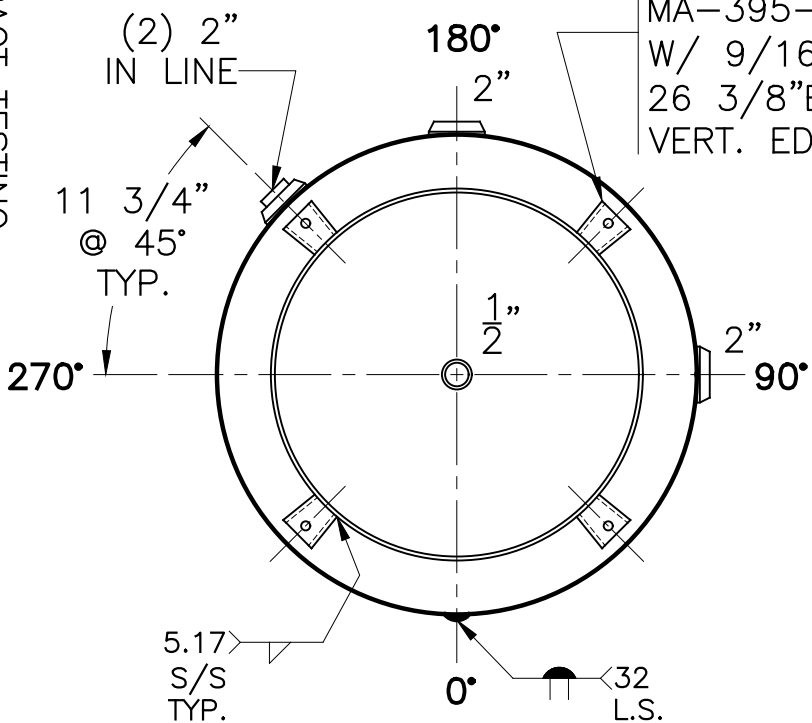


2"R W/ S. STL. PLUG
INSP. OPENING
(2) PLC'S.



304 S.S. -
1/4" THK. CLIPS PER
MA-395-B (4) PLC'S.
W/ 9/16" HOLE ON
26 3/8" B.C.; WELD OUTSIDE
VERT. EDGE OF CLIP ONLY



- NOTE: 1) HYDRO @ 260 PSIG. MIN.
2) ALL FNPT'S SA-182-304 S.S.
3) UHA-51 (e)(2) NO IMPACT TESTING.
4) 2"-R HAS 10"R.

SHELL / HEADS		.1875" SA-240-304 2:1 S.E.		30-VA-200-R		REV. 8-3-18
JOGGLE				304 S.S.		DATE: 7-10-06
				FOR: HANSON STANDARD		
				VERT. AIR TANK		
				SURFACE AREA = 51.1 SQ. FT.		
				INSIDE: UNPAINTED-PASSIVATE		
				OUTSIDE: BEAD BLAST & PASSIVATE		
M.A.W.P.	200	PSIG.	@ 200	°F		
M.D.M.T.	-155	°F	@ 200	PSIG.		
ASME. SECTION VIII DIV. 1, 2017						
X-RAY:	RT-4 SPOT L.S. ONLY					
GALLONS:	200	WT.	473 LBS.			
SERIAL NO.						
N.B.						
				CAD "B" SIZE UNDER "STD" SERIES		
				BY: J.G. SCALE: 1"=12"		
				ROY E. HANSON JR. MFG.		
				LOS ANGELES, CA 90021		