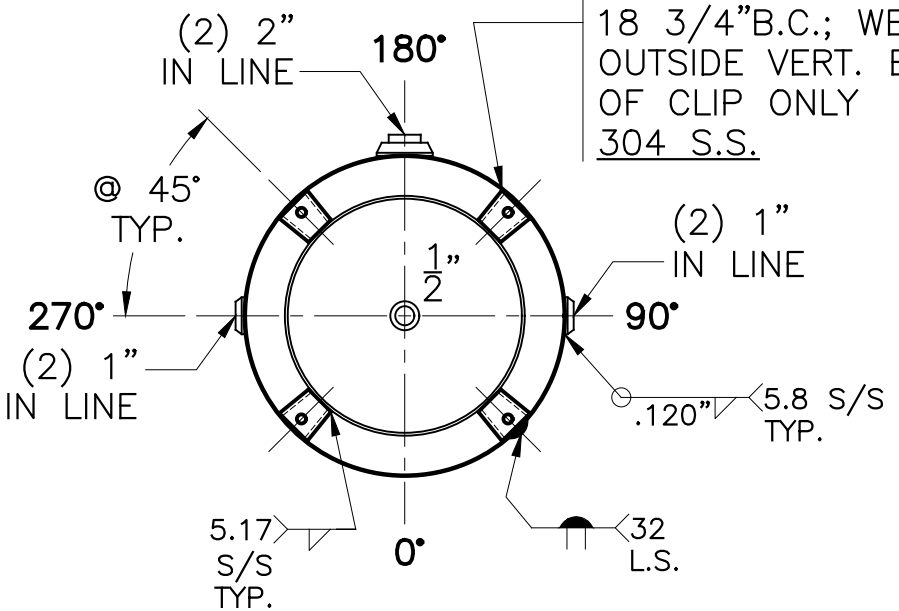


1/4" THK. CLIPS PER MA-395-B (4) PLC'S. W/ 9/16" ø HOLE ON 18 3/4" B.C.; WELD OUTSIDE VERT. EDGE OF CLIP ONLY 304 S.S.



- NOTE: 1) HYDRO @ 325 PSIG. MIN.
2) ALL FNPT'S. SA-182-304 S.S.
3) UHA-51(e)(2)(d). NO IMPACT TESTING.
4) ALBERTA CRN: V5594.2

SHELL / HEADS		.1875" SA-240-304 2:1 S.E.	
TRIM		20-VC-60-R 304 S.S.	
M.A.W.P. 250 PSIG. @ 200 °F		REV. 7-22-16	
M.D.M.T. -155 °F @ 250 PSIG.		DATE: 4-11-08	
ASME SECTION VIII DIV. 1, 2015		FOR: HANSON STANDARD	
X-RAY: RT-NO		VERT. AIR TANK	
GALLONS: 60		SURFACE AREA = 23.0 SQ. FT.	
SERIAL NO.		INSIDE: CLEAN	
N.B.		OUTSIDE: BEAD BLAST	
		CAD-"B" UNDER "STD"-SERIES	
		BY: E.S.	
		SCALE: 1"=12"	
		ROY E. HANSON JR. MFG.	
		LOS ANGELES, CA 90021	