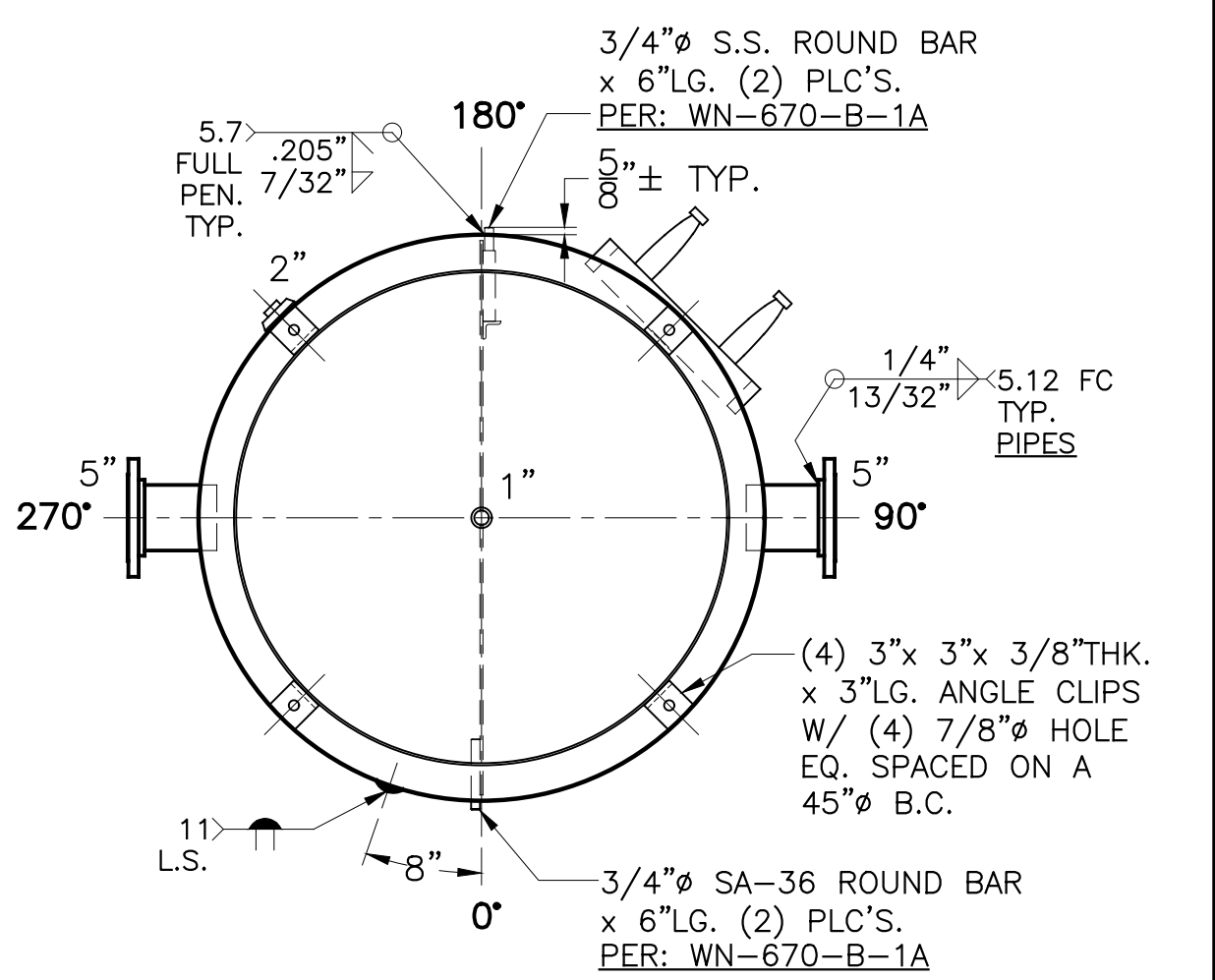
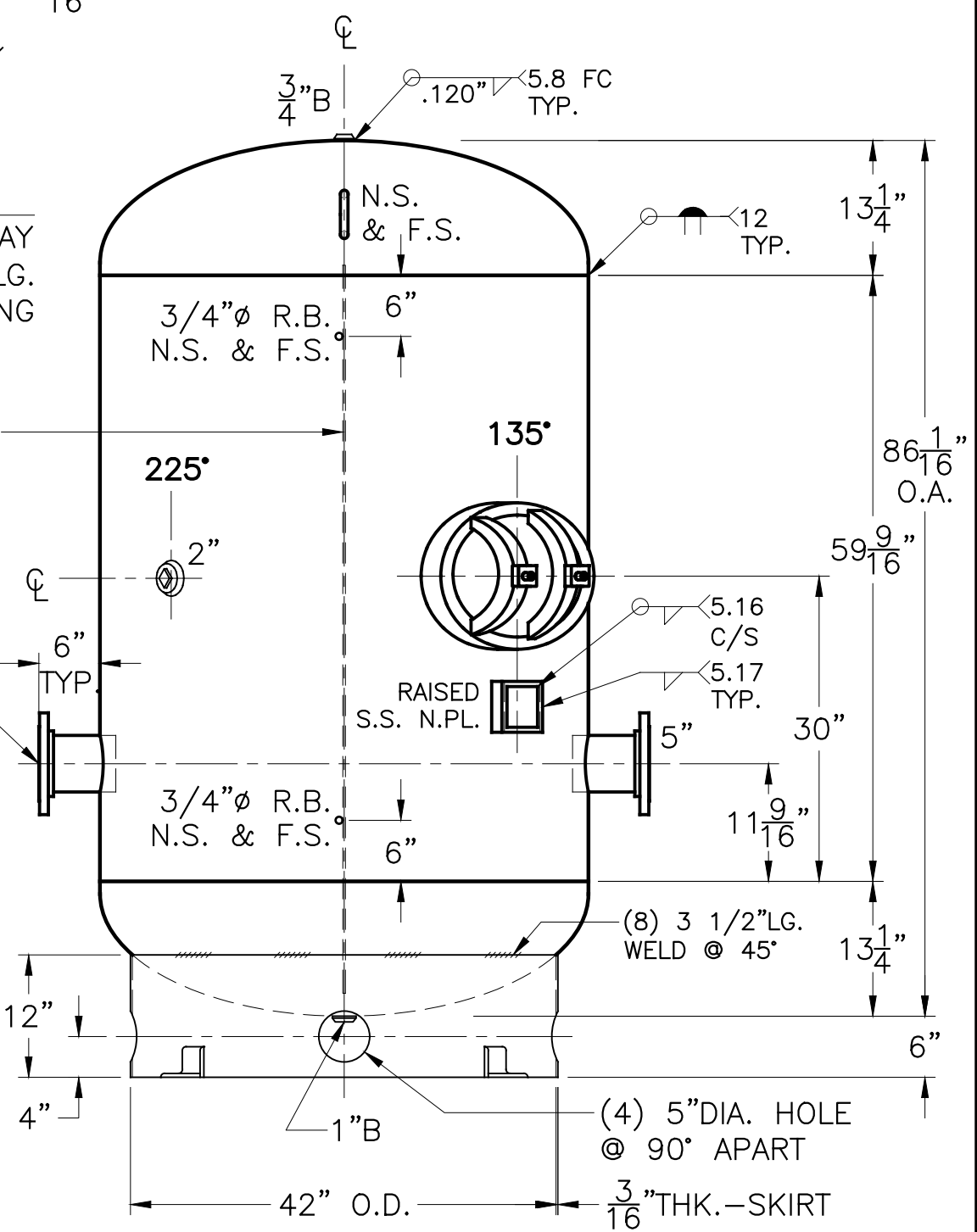
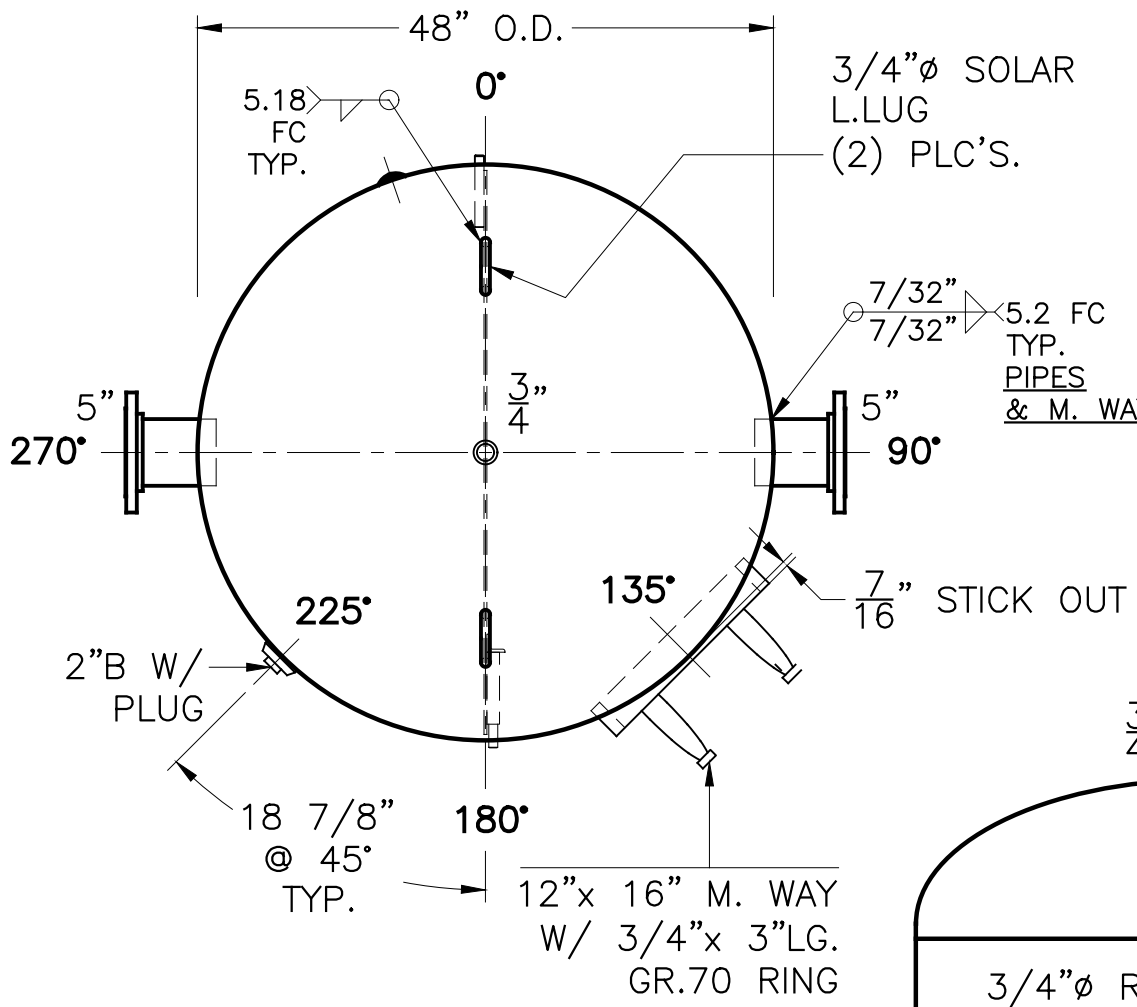


DATE	BY
9-15-14	RH



.136" THK. - INT. BAFFLE
PER: WN-670-B-1A

5"-150# R.F.S.O.
FLG. W/ SCH. 80
SA-106-B
PIPE x 7 1/4" LG.
(2) PLC'S.

NOTE: 1) HYDRO @ 163 PSIG. MIN.

SHELL / HEADS	
JOGGLE	.245" SA-455 2:1 S.E.
M.A.W.P.	125 PSIG. @ 210 °F
M.D.M.T.	0 °F @ 125 PSIG.
ASME SECTION	VIII DIV. 1, 2013
X-RAY:	RT-NO
GALLONS:	600 WT. 1360 LBS.
SERIAL NO.	
N.B.	

WO-344-B	REV.
DATE: 9-15-14	
FOR:	VERT. CHILLED WATER TANK
	SURFACE AREA = 99.7 SQ. FT.
	UW-21(b)
	INSIDE: UNPAINTED
	OUTSIDE: SHOP PRIME
BY: E.S. / C.J.	SCALE: 3/4"=12"
ROY E. HANSON JR. MFG.	
1600 E. WASHINGTON BLVD.	
LOS ANGELES, CA 90021	