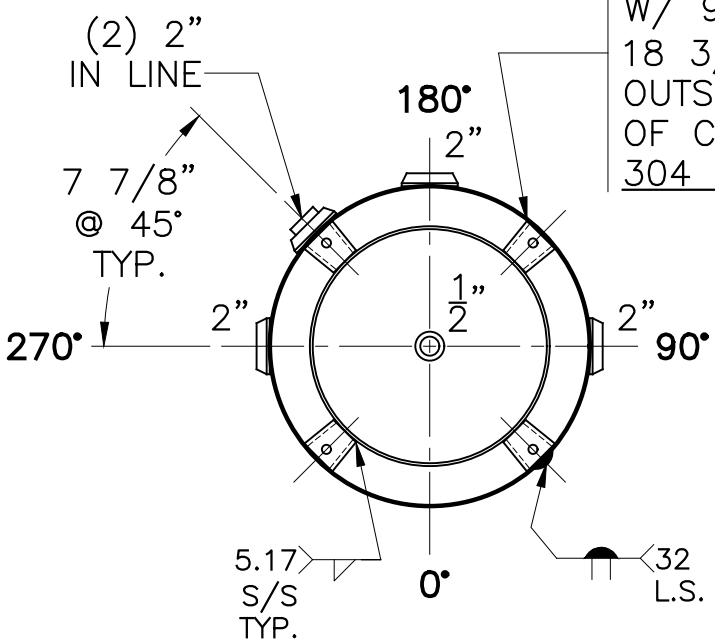
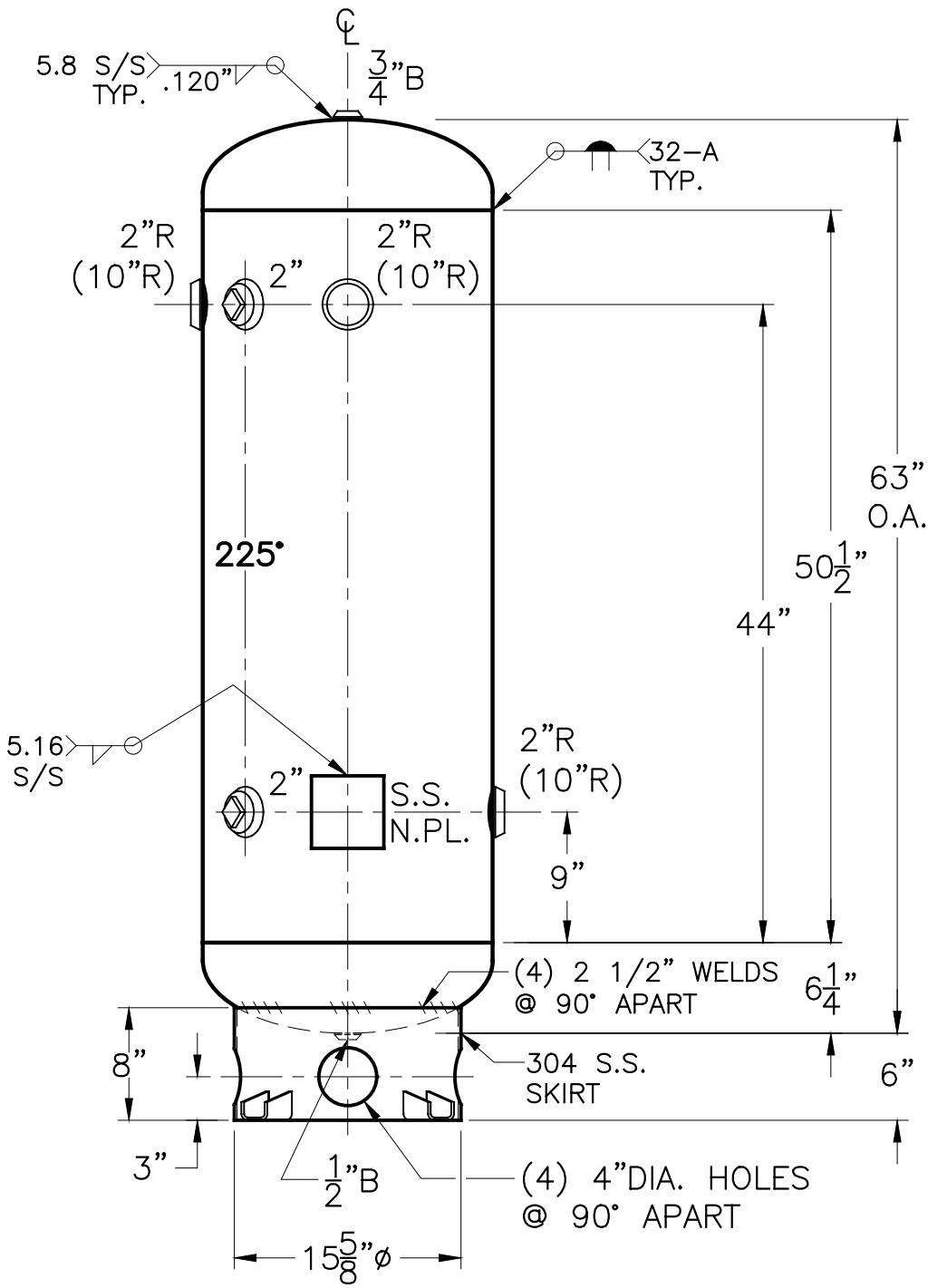
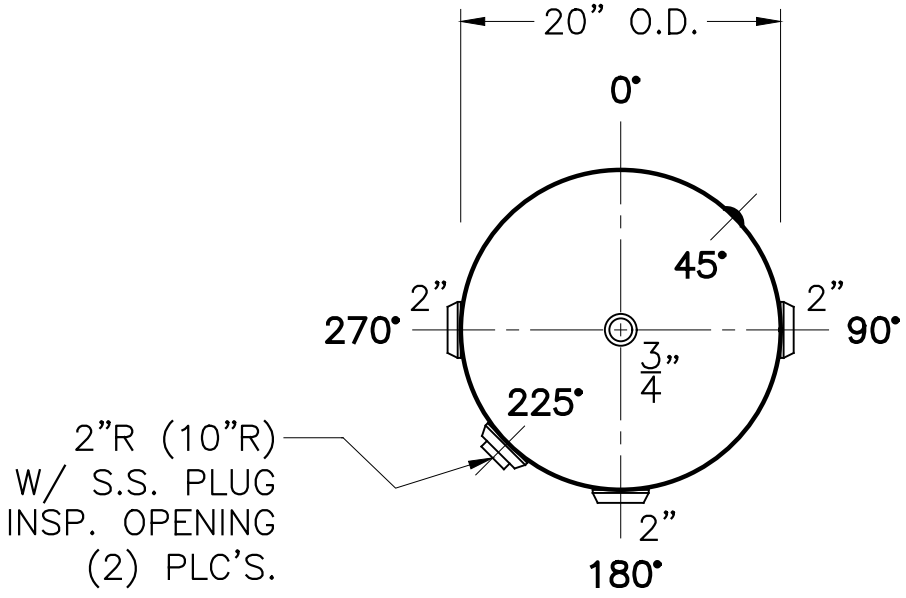


|        |    |
|--------|----|
| DATE   | BY |
| 9-4-13 | RH |
|        |    |



1/4" THK. CLIPS PER MA-395-B (4) PLC'S. W/ 9/16"  $\phi$  HOLE ON 18 3/4" B.C.; WELD OUTSIDE VERT. EDGE OF CLIP ONLY 304 S.S.

NOTE: 1) ALL FNPT'S. SA-182-304 S.S.  
2) HYDRO @ 195 PSIG. MIN.

| SHELL / HEADS                            |              |
|--|--------------|
| .135" SA-240-304                         | 2:1 S.E.     |
| M.A.W.P. 150 PSIG. @ 200 °F              |              |
| M.D.M.T. -155 °F @ 150 PSIG.             |              |
| ASME SECTION VIII DIV. 1, 2010 ADD. 2011 |              |
| X-RAY: RT-NO                             |              |
| GALLONS: 80                              | WT. 205 LBS. |
| SERIAL NO.                               |              |
| N.B.                                     |              |

**WN-995-B**

REV. \_\_\_\_\_  
DATE: 9-4-13

FOR:

VERT. CHILLED WATER TANK  
CRACKING OF STAINLESS STEEL WATER TANKS, HOWEVER CAUSED, IS NOT A RESPONSIBILITY OF HANSON, AND IS EXCLUDED FROM HANSON LIMITED WARRANTY.

INSIDE: PASSIVATE

OUTSIDE: BEAD BLAST & PASSIVATE

BY: E.S. / C.J. SCALE: 1"=12"

**ROY E. HANSON JR. MFG.**

1600 E. WASHINGTON BLVD.  
LOS ANGELES, CA 90021