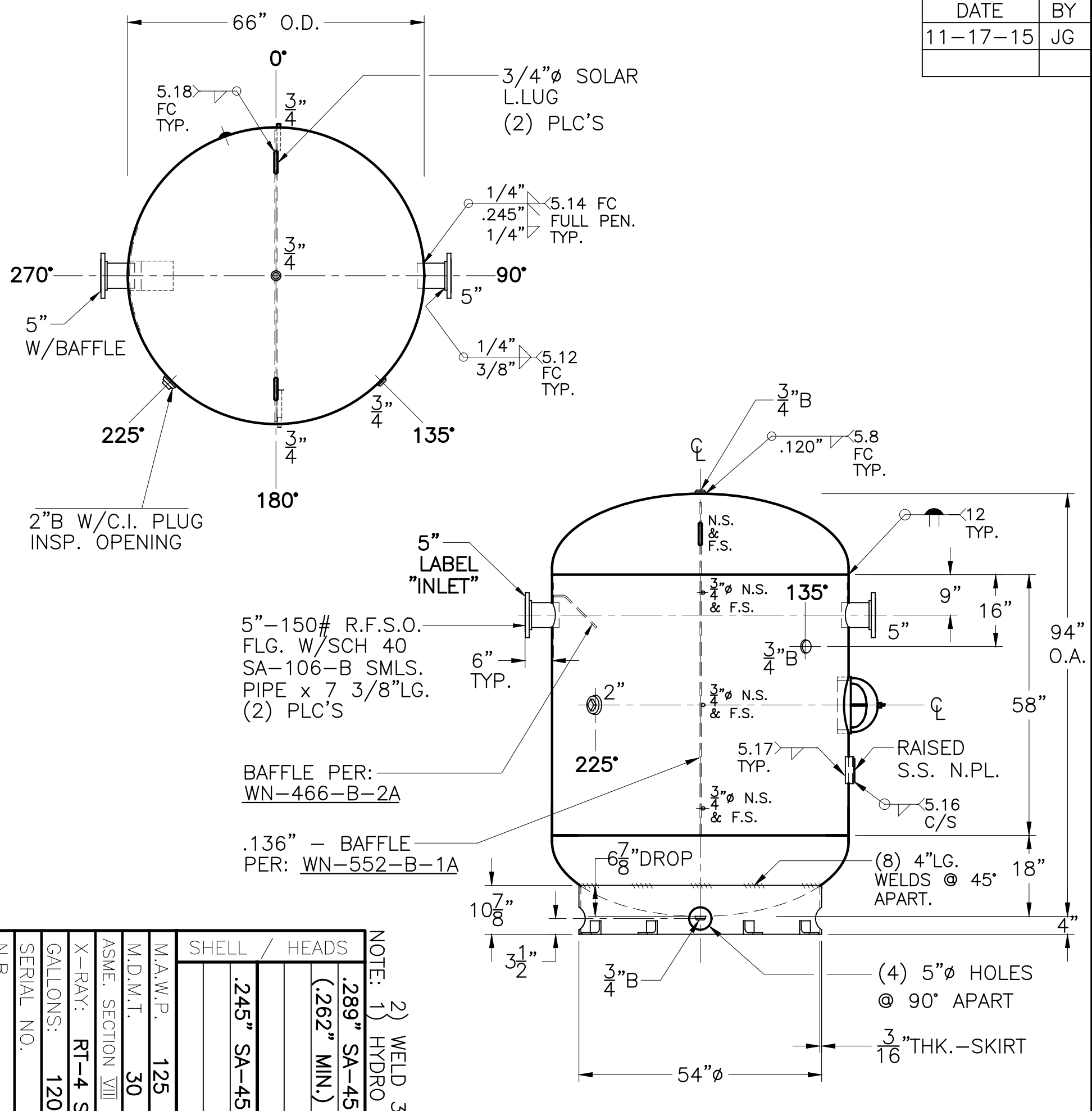


DATE	BY
11-17-15	JG



SHELL / HEADS	NOTE: 1) WELD 3/4" φ ROUND BARS TO SHELL AFTER HEADS ARE IN PLACE.	
	2) HYDRO @ 163 PSIG. MIN.	
M.A.W.P.	125 PSIG. @ 200 °F	.289" SA-455 2:1 S.E. (.262" MIN.)
M.D.M.T.	30 °F @ 125 PSIG.	
ASME. SECTION VIII DIV. 1, 2013		
X-RAY: RT-4 SPOT L.S. - NOT G.S.		
GALLONS: 1200	WT. 2322 LBS.	
SERIAL NO.		
N.B.		
FOR: VERT. CHILLED WATER TANK.		WN-552-B
SURFACE AREA = 153.4 SQ. FT.		REV. 11-17-15
INSIDE: UNPAINTED		DATE: 6-6-12
OUTSIDE: SHOP PRIME		
BY: E.S. / B.C. SCALE: 1/2" = 12"		
ROY E. HANSON JR. MFG.		
LOS ANGELES, CA 90021		

