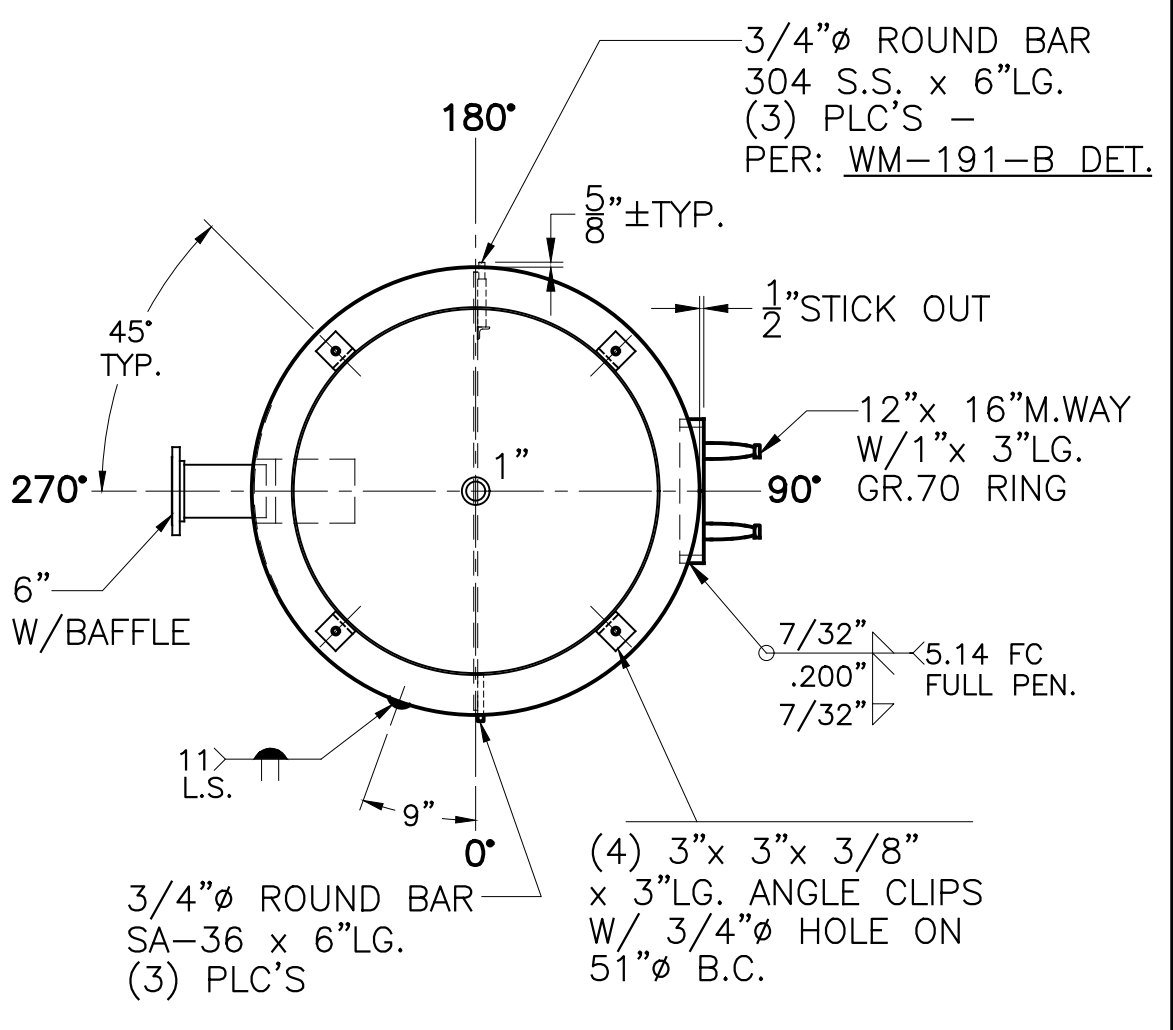
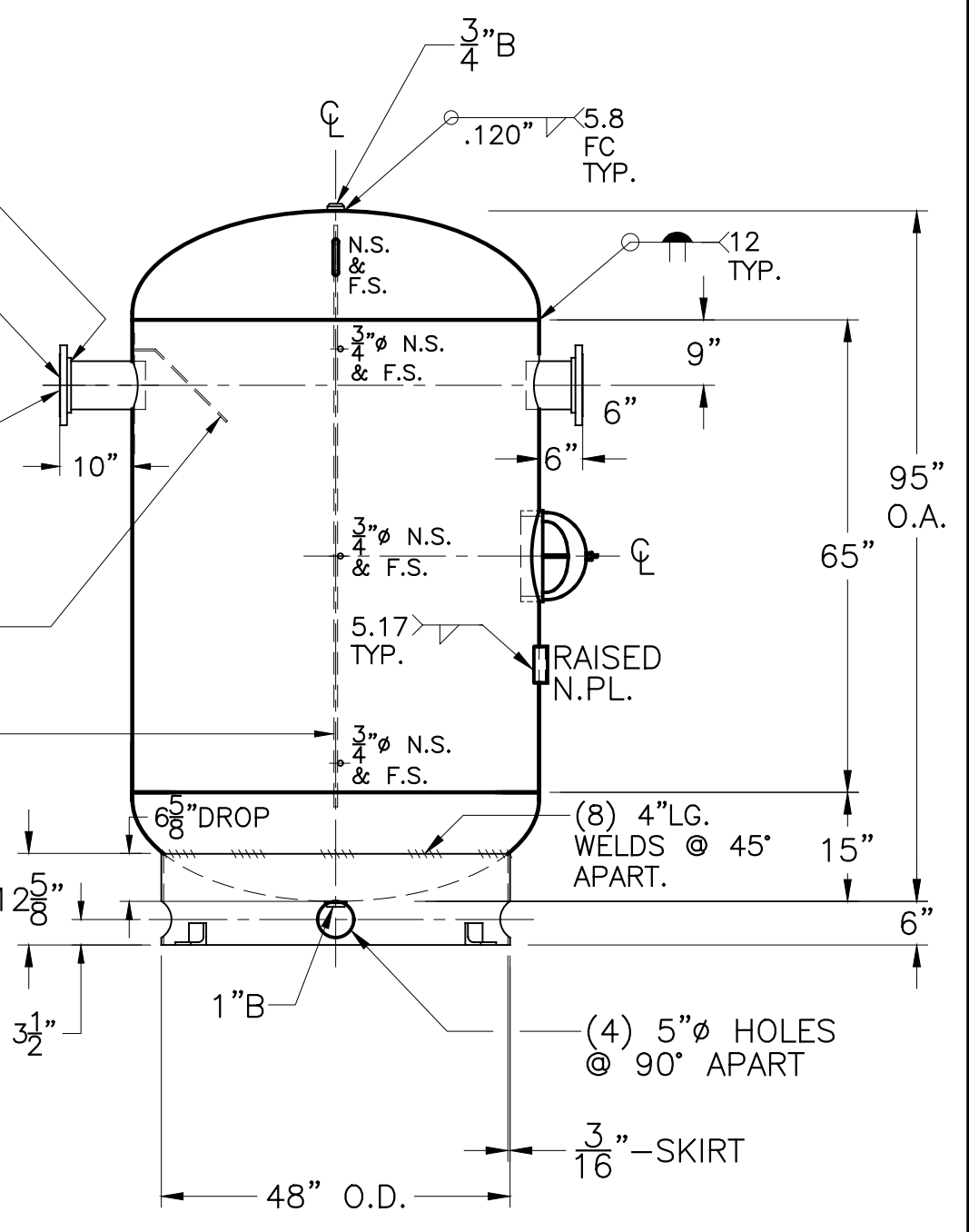
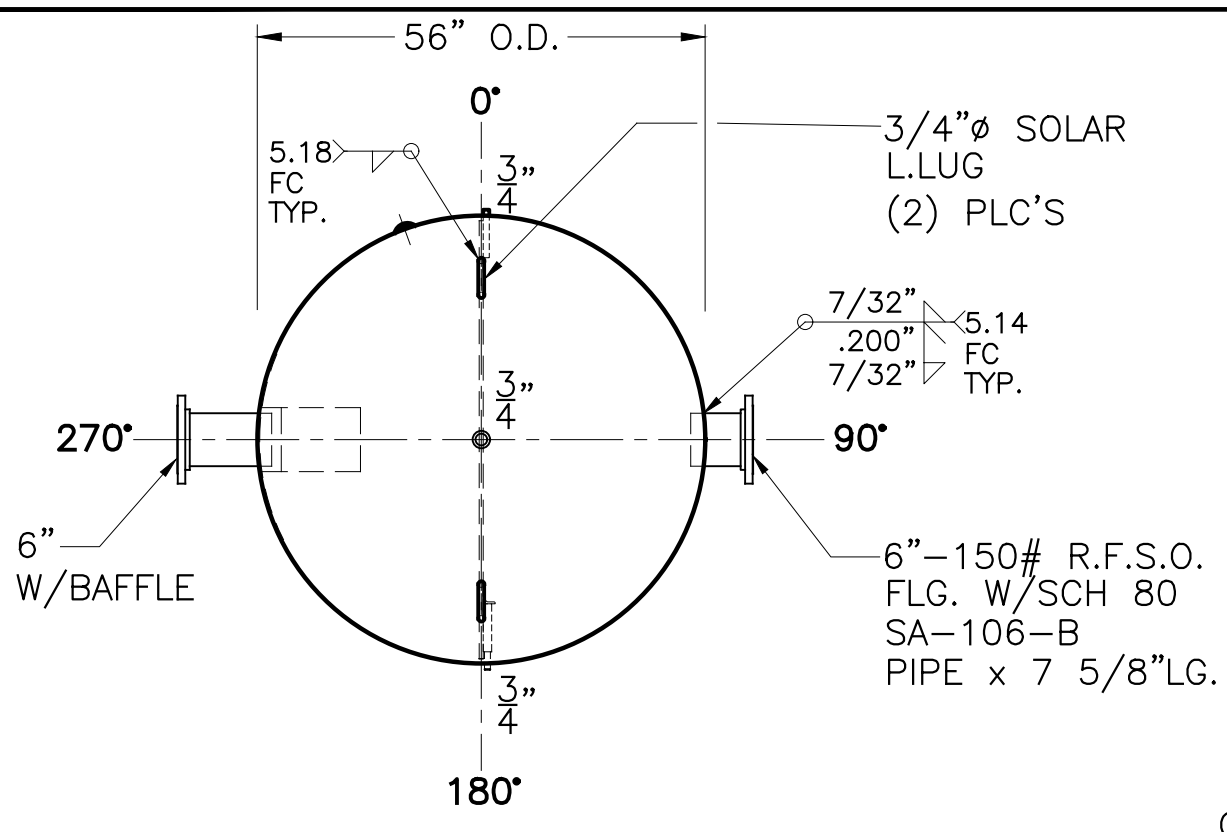


JOB No. \_\_\_\_\_  
 DATE: \_\_\_\_\_



6" LABEL "INLET"  
 6"-150# R.F.S.O. FLG. W/SCH 80 SA-106-B PIPE x 11 5/8" LG.  
 BAFFLE PER: WM-185-B-1A  
 .165" - BAFFLE PER: WM-771-B-1A

NOTE: 1) WELD 3/4" Ø ROUND BARS TO SHELL AFTER HEADS ARE IN PLACE.  
 2) HYDRO @ 163 PSIG. MIN.

SHELL / HEADS		.250" SA-455 2:1 S.E. (.197" MIN.)	
M.A.W.P.	125 PSIG. @ 200 °F	FOR:	WM-771-B
M.D.M.T.	0 °F @ 125 PSIG.	VERT. CHILLED WATER TANK.	REV. 5-1-19
ASME. SECTION	VIII DIV. 1, 2017	SURFACE AREA = 131.0 SQ. FT.	DATE: 8-10-09
X-RAY:	RT-4 SPOT L.S. ONLY	INSIDE: UNPAINTED	
GALLONS:	910	OUTSIDE: PRIME	
SERIAL NO.	WT. 1790 LBS.		
N.B.			

BY: J.G./B.C. SCALE: 1/2"=12"  
**ROY E. HANSON JR. MFG.**  
 LOS ANGELES, CA 90021