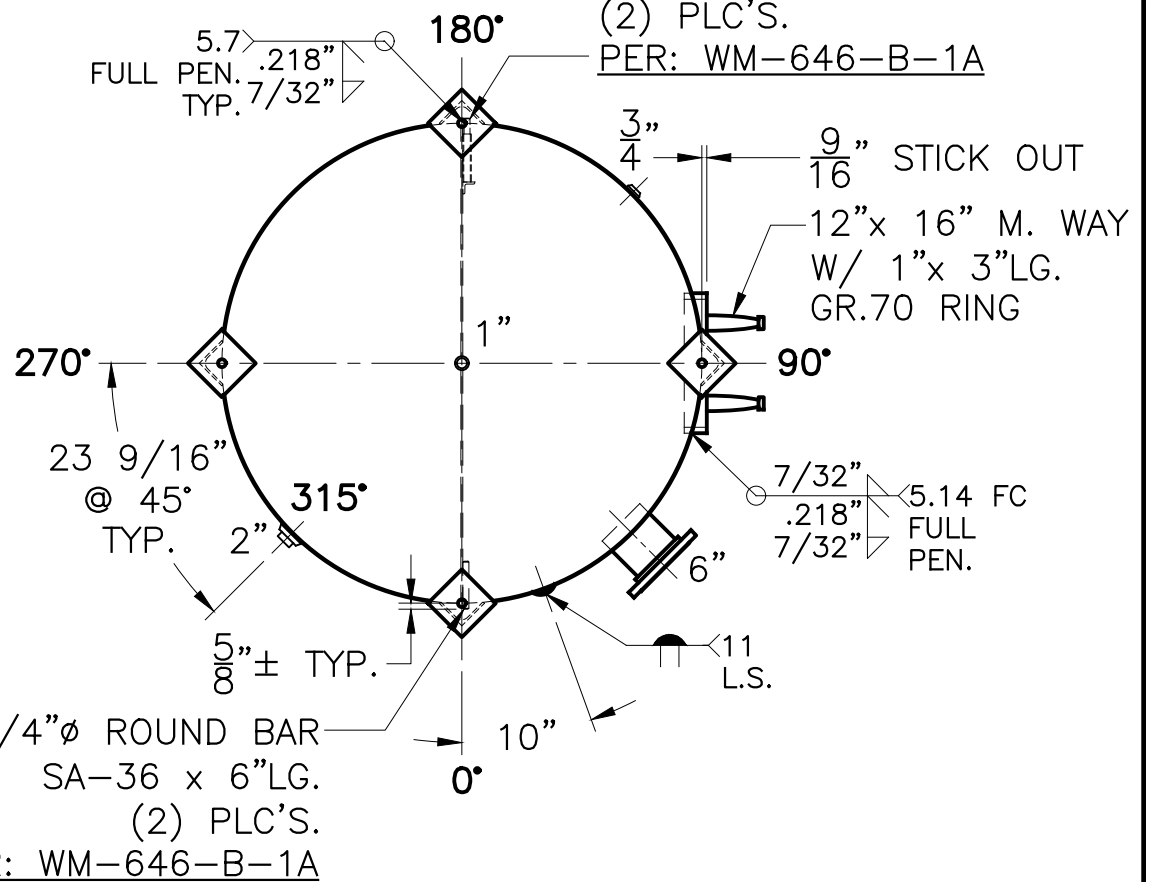


(4) 4" x 4" x 3/8" THK. x 28 1/4" LG. ANGLE LEG

(4) 6" x 6" x 1/2" THK. PAD W/ 7/8" ∅ HOLE FOR 5/8" ∅ x 8" LG. BOLTS GRADE 5 OR BETTER 6" EMBEDMENT

5.8 FC TYP. .120"

3/4" ∅ ROUND BAR 304 S.S. x 6" LG. (2) PLC'S. PER: WM-646-B-1A



NOTE: 1) HYDRO @ 163 PSIG. MIN.

2) WELD 3/4" ∅ ROUND BARS TO SHELL AFTER HEADS ARE IN PLACE.

SHELL / HEADS	
.248" SA-455	2:1 S.E.
(.222" MIN.)	
.218" SA-455	
M.A.W.P. 125 PSIG. @ 250 °F	
M.D.M.T. 0 °F @ 125 PSIG.	
ASME SECTION VIII DIV. 1, 2010 ADD. 2010	
X-RAY: RT-4 SPOT L.S. ONLY	
GALLONS: 1000	WT. 2108 LBS.
SERIAL NO.	
N.B.	

FOR: VERT. CHILLED WATER TANK	WM-646-B	REV. 5-13-11
SURFACE AREA = 135.4 SQ. FT.	UNPAINTED	DATE: 3-26-09
INSIDE: UNPAINTED	PRIME	
LEG-ZONE 1-15 KM.		
BY: E.S. / R.L.	SCALE: 1/2"=12"	
ROY E. HANSON JR. MFG.		
1600 E. WASHINGTON BLVD.		
LOS ANGELES, CA 90021		