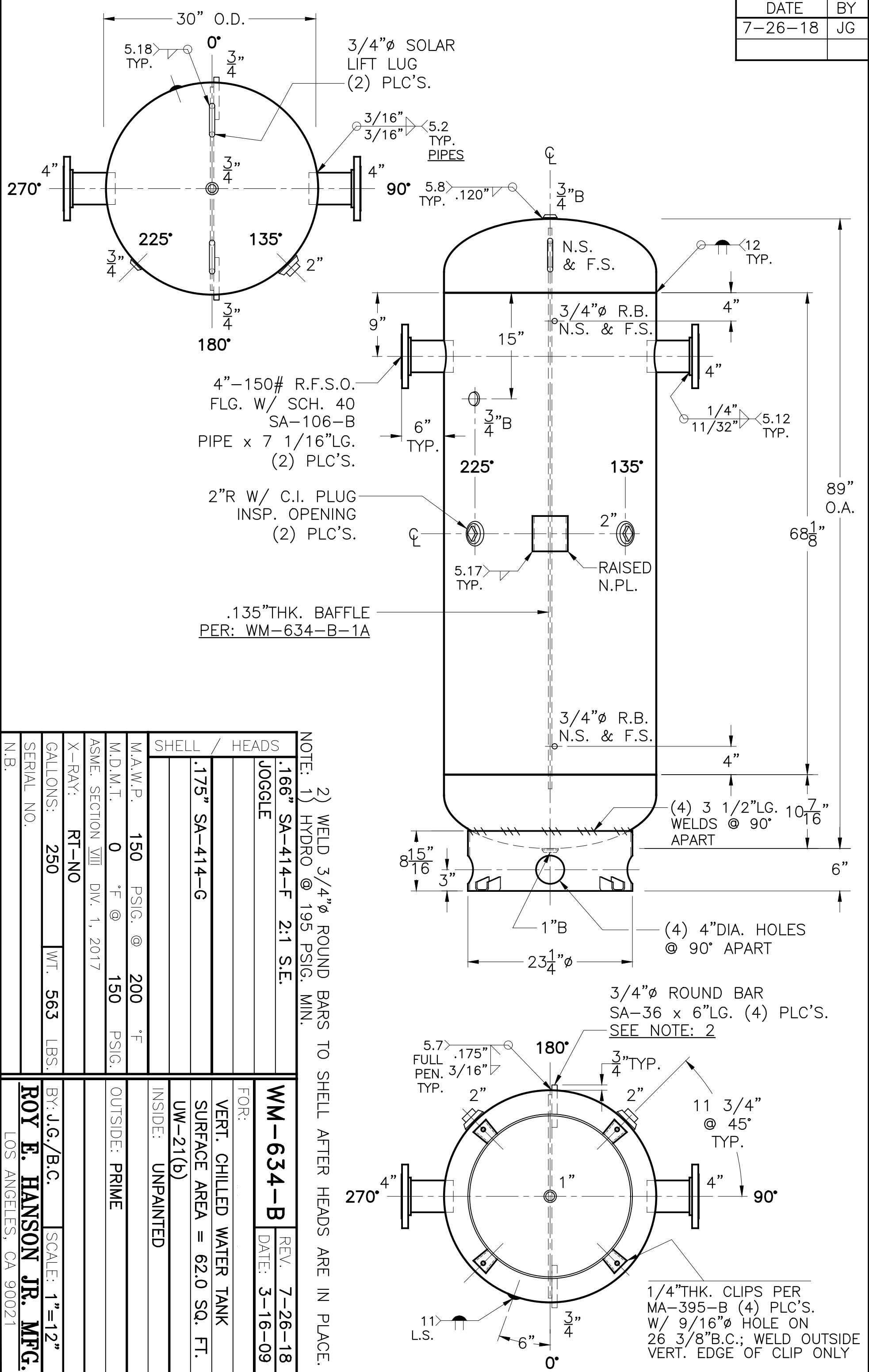


DATE	BY
7-26-18	JG



4"-150# R.F.S.O. FLG. W/ SCH. 40 SA-106-B PIPE x 7 1/16" LG. (2) PLC'S.

2"R W/ C.I. PLUG INSP. OPENING (2) PLC'S.

.135"THK. BAFFLE PER: WM-634-B-1A

SHELL / HEADS	
JOGGLE	.166" SA-414-F 2:1 S.E.
M.A.W.P.	150 PSIG. @ 200 °F
M.D.M.T.	0 °F @ 150 PSIG.
ASME SECTION VIII DIV. 1, 2017	
X-RAY:	RT-NO
GALLONS:	250
SERIAL NO.	WT. 563 LBS.
N.B.	

NOTE: 1) 2) WELD 3/4"Ø ROUND BARS TO SHELL AFTER HEADS ARE IN PLACE. HYDRO @ 195 PSIG. MIN.

FOR:	WM-634-B	REV. 7-26-18
	VERT. CHILLED WATER TANK	DATE: 3-16-09
	SURFACE AREA = 62.0 SQ. FT.	
INSIDE:	UNPAINTED	
OUTSIDE:	PRIME	
BY: J.G./B.C.	SCALE: 1"=12"	
ROY E. HANSON JR. MFG.		
LOS ANGELES, CA 90021		