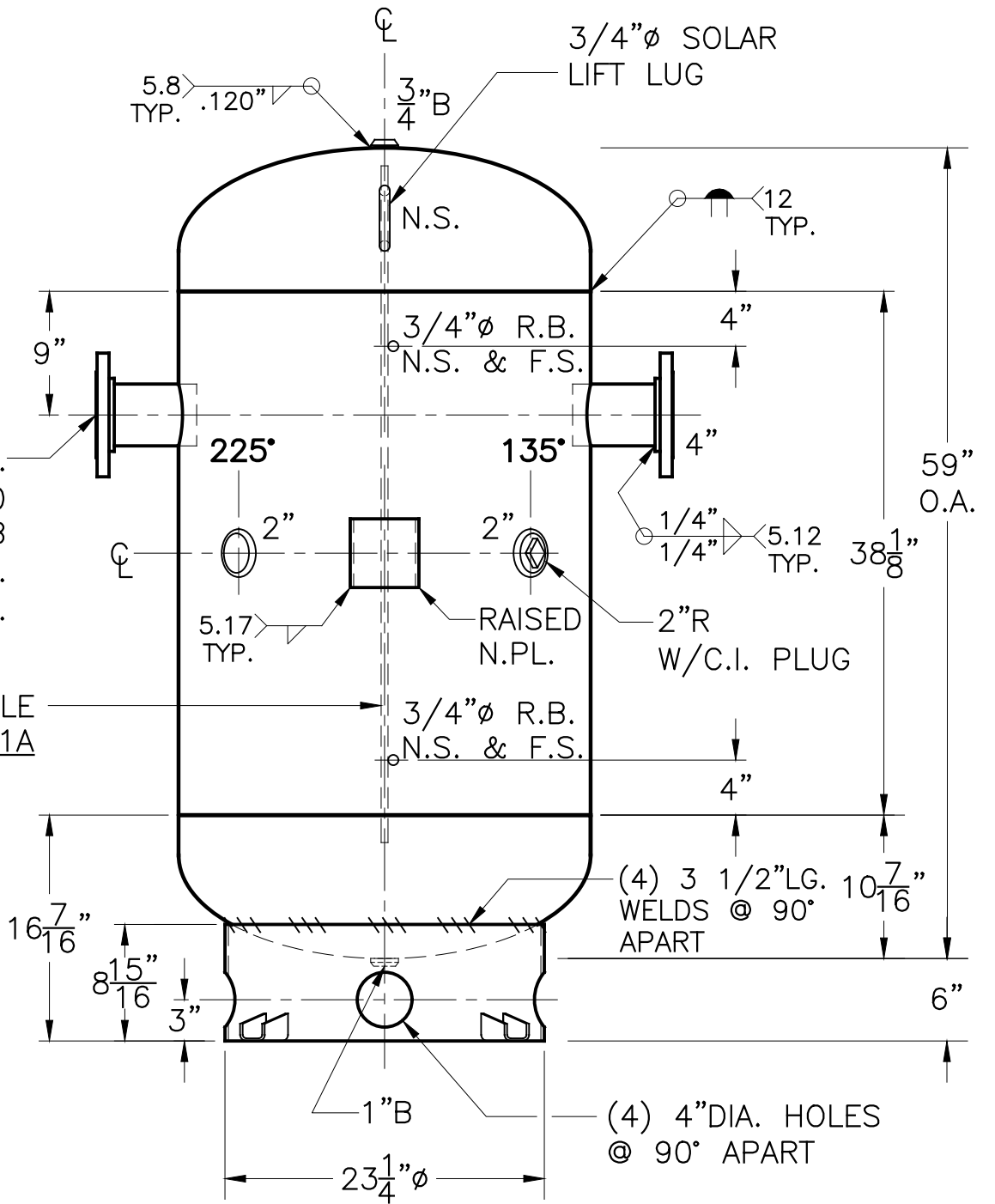


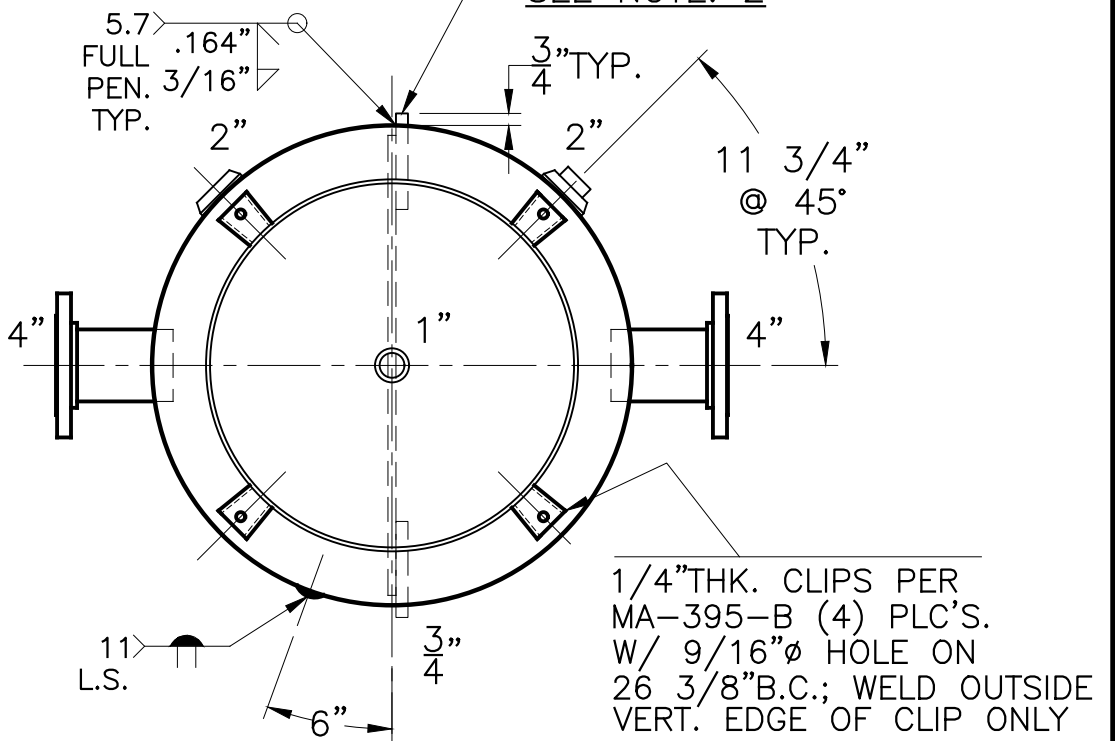
2"R  
W/3/4" BUSHING.  
INSP. OPENING & TEMP.

4"-150# R.F.S.O.  
FLG. W/ SCH. 40  
SA-106-B  
PIPE x 7 1/16"LG.  
(2) PLC'S.

.135"THK. BAFFLE  
PER: WM-627-B-1A



3/4"Ø ROUND BAR  
SA-36 x 6"LG. (4) PLC'S.  
SEE NOTE: 2



1/4"THK. CLIPS PER  
MA-395-B (4) PLC'S.  
W/ 9/16"Ø HOLE ON  
26 3/8"B.C.; WELD OUTSIDE  
VERT. EDGE OF CLIP ONLY

NOTE: 1) WELD 3/4"Ø ROUND BARS TO SHELL AFTER HEADS ARE IN PLACE.  
2) HYDRO @ 195 PSIG. MIN.

SHELL / HEADS	
JOGGLE - .166" SA-414-F 2:1 S.E.	
JOGGLE - .149" OFFSET	
.164" SA-414-G	
M.A.W.P. 150 PSIG. @ 180 °F	
M.D.M.T. 0 °F @ 150 PSIG.	
ASME SECTION VIII DIV. 1, 2007 ADD 2008	
X-RAY: RT-NO	
GALLONS: 160	WT. 462 LBS.
SERIAL NO.	
N.B.	

FOR: WM-628-B	REV. 7-20-09
VERT. CHILLED WATER TANK	DATE: 3-11-09
SURFACE AREA = 42.0 SQ. FT.	
INSIDE: UNPAINTED	
OUTSIDE: SHOP PRIME	
BY: ES. / C.J. SCALE: 1"=12"	
<b>ROY E. HANSON JR. MFG.</b>	
1600 E. WASHINGTON BLVD.	
LOS ANGELES, CA 90021	