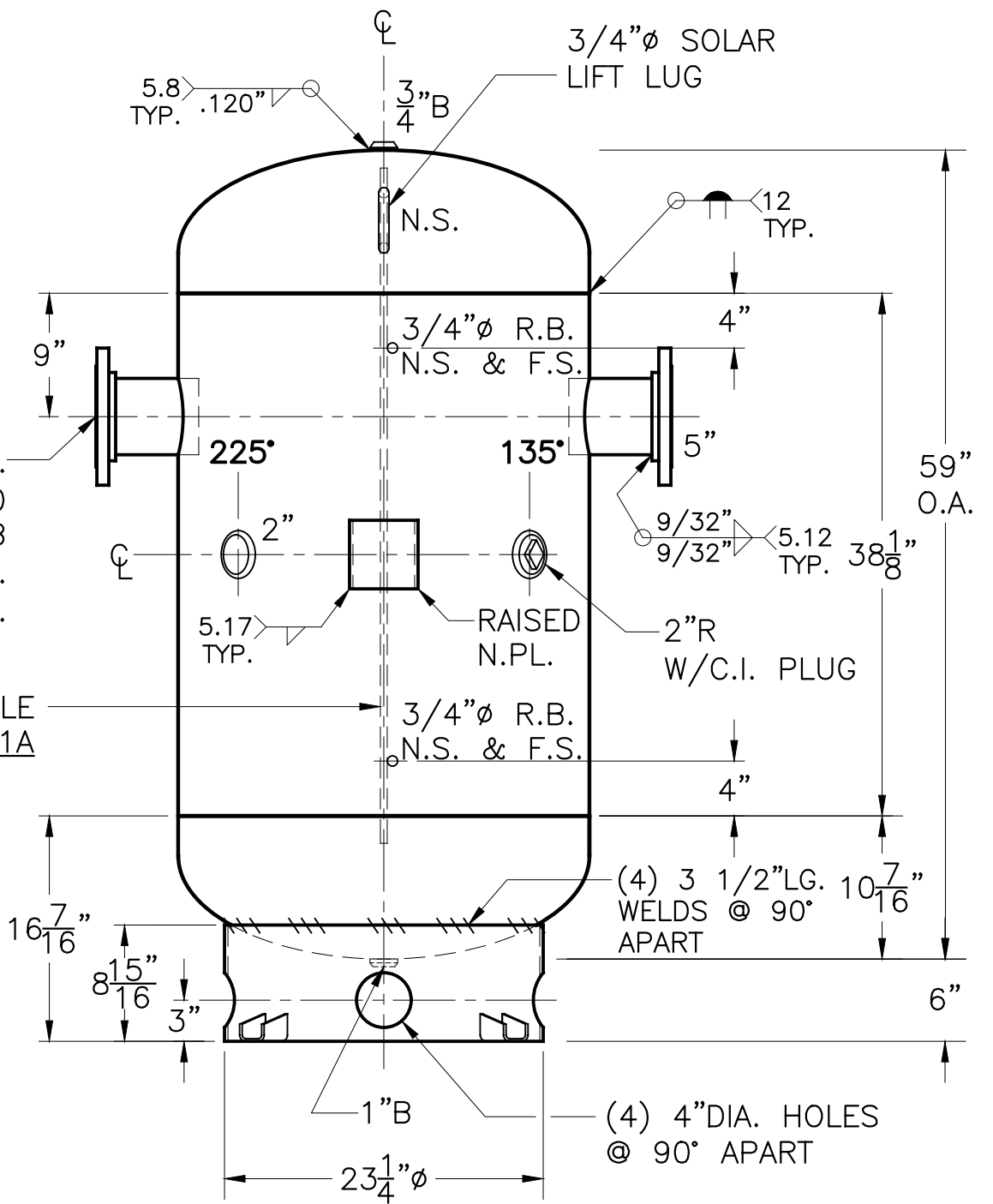


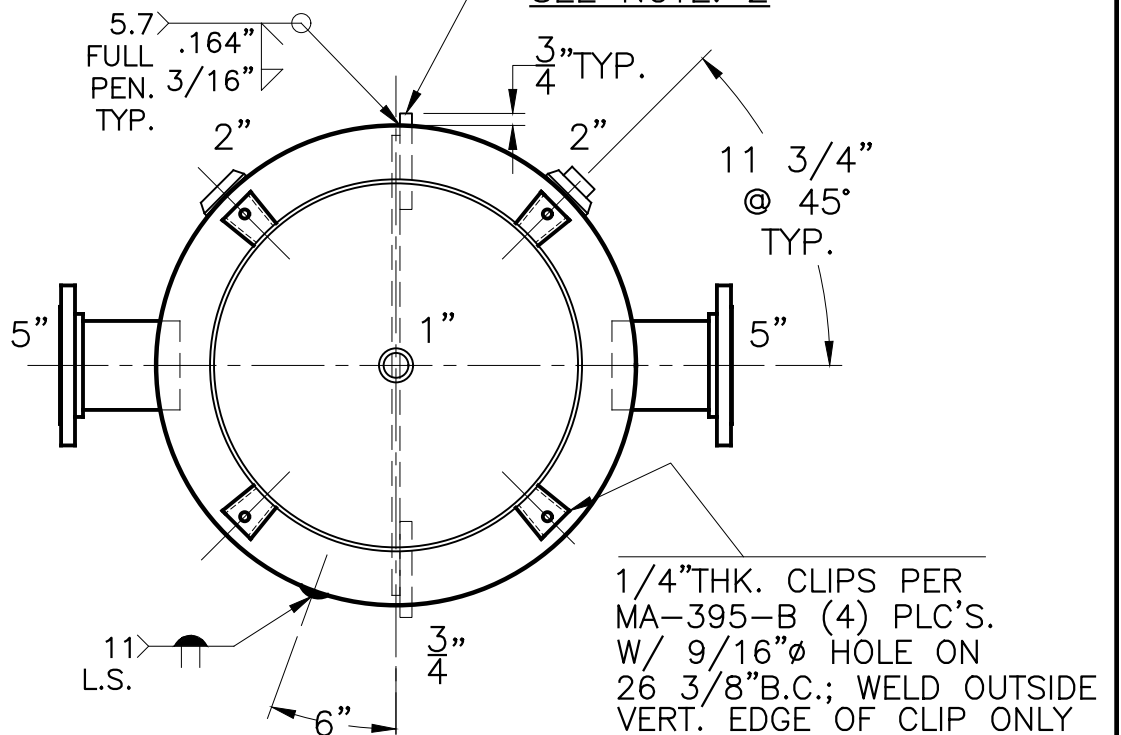
2"R
W/3/4" BUSHING.
INSP. OPENING & TEMP.

5"-150# R.F.S.O.
FLG. W/ SCH. 40
SA-106-B
PIPE x 7 1/4"LG.
(2) PLC'S.

.135"THK. BAFFLE
PER: WM-627-B-1A



3/4"Ø ROUND BAR
SA-36 x 6"LG. (4) PLC'S.
SEE NOTE: 2



NOTE: 1) WELD 3/4"Ø ROUND BARS TO SHELL AFTER HEADS ARE IN PLACE.
2) HYDRO @ 195 PSIG. MIN.

SHELL / HEADS	
JOGGLE - .166" SA-414-F 2:1 S.E.	
JOGGLE - .149" OFFSET	
.164" SA-414-G	
M.A.W.P. 150 PSIG. @ 180 °F	
M.D.M.T. 0 °F @ 150 PSIG.	
ASME SECTION VIII DIV. 1, 2007 ADD 2008	
X-RAY: RT-NO	
GALLONS: 160	WT. 470 LBS.
SERIAL NO.	
N.B.	

WM-627-B	REV. 7-20-09
	DATE: 3-11-09
FOR:	VERT. CHILLED WATER TANK
	SURFACE AREA = 42.0 SQ. FT.
	UW-21(b)
INSIDE:	UNPAINTED
OUTSIDE:	SHOP PRIME
BY: ES. / C.J.	SCALE: 1"=12"
ROY E. HANSON JR. MFG.	
1600 E. WASHINGTON BLVD.	
LOS ANGELES, CA 90021	