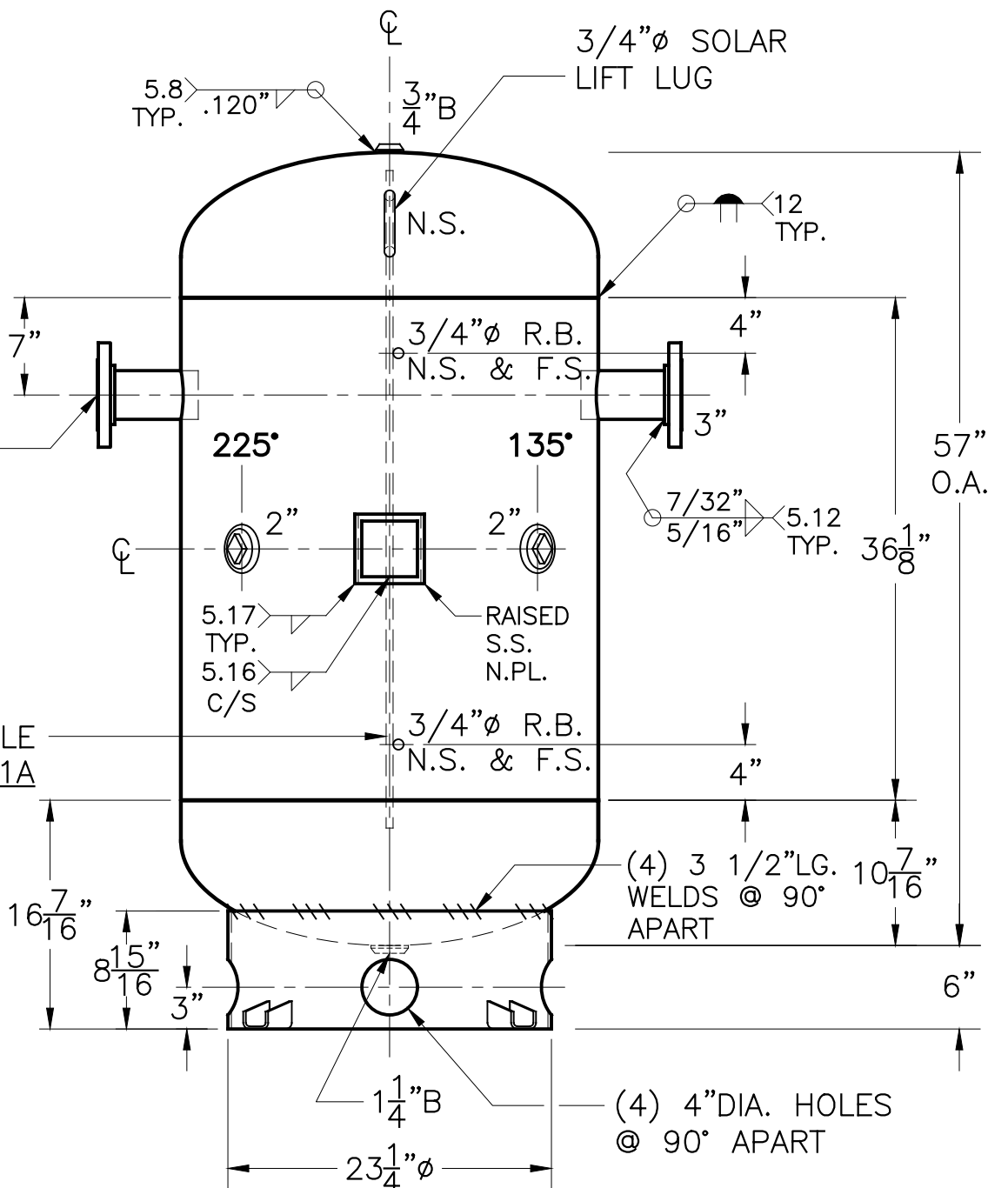


2" R W/ C.I. PLUG
INSP. OPENING
(2) PLC'S.

.135" THK. BAFFLE
PER: WM-297-B-1A



3/4" ϕ SOLAR
LIFT LUG

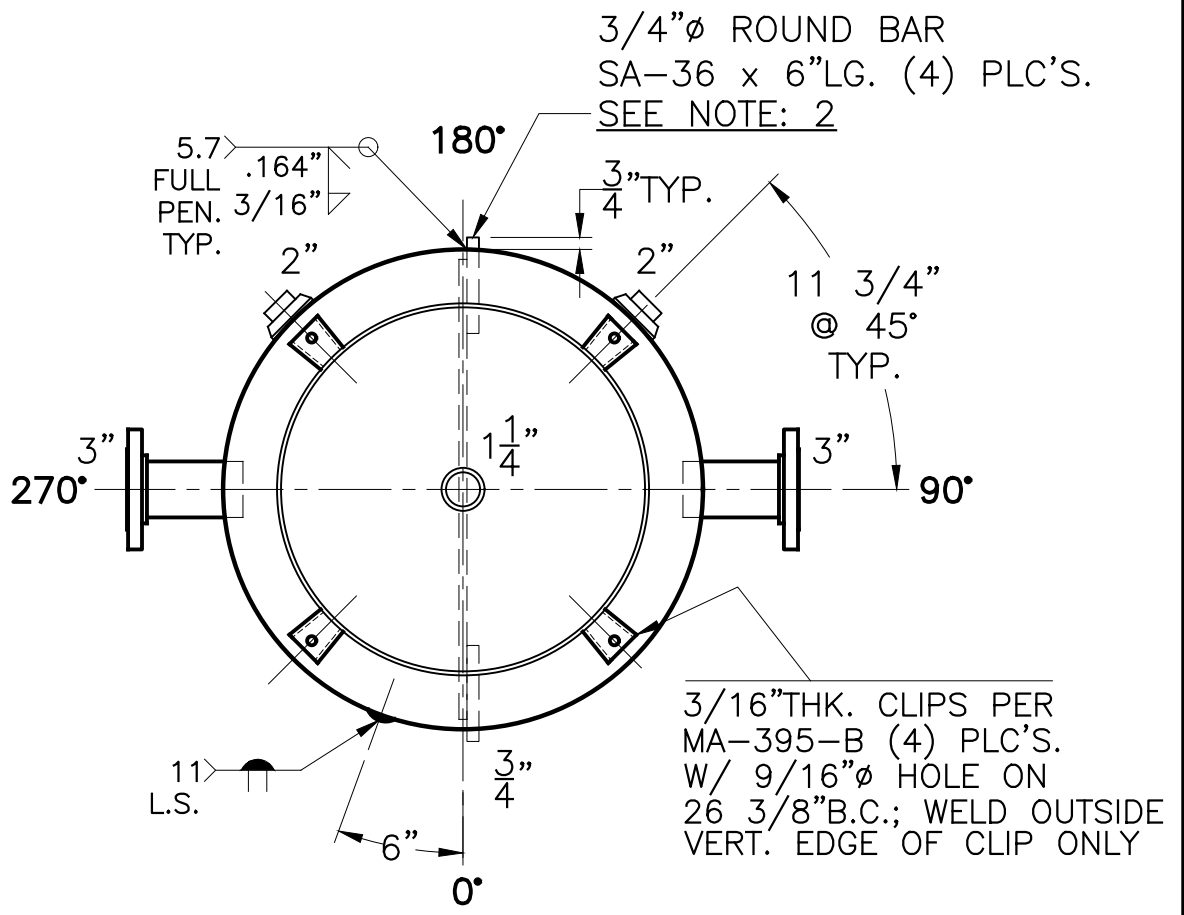
3/4" ϕ R.B.
N.S. & F.S.

3/4" ϕ R.B.
N.S. & F.S.

(4) 3 1/2" LG. 10 7/16"
WELDS @ 90°
APART

(4) 4" DIA. HOLES
@ 90° APART

3/4" ϕ ROUND BAR
SA-36 x 6" LG. (4) PLC'S.
SEE NOTE: 2



3/16" THK. CLIPS PER
MA-395-B (4) PLC'S.
W/ 9/16" ϕ HOLE ON
26 3/8" B.C.; WELD OUTSIDE
VERT. EDGE OF CLIP ONLY

SHELL / HEADS		NOTE: 1) HYDRO @ 203 PSIG. MIN.		2) WELD 3/4" ϕ ROUND BARS TO SHELL AFTER HEADS ARE IN PLACE.	
JOGGLE	.176" SA-455	2:1 S.E.			
M.A.W.P.	155	PSIG. @	180	° F	
M.D.M.T.	0	° F @	155	PSIG.	
ASME SECTION VIII	DIV. 1, 2015				
X-RAY:	RT-NO				
GALLONS:	155	WT.	423	LBS.	
SERIAL NO.					
N.B.					
FOR: HANSON STANDARD		WM-297-B		REV: 2-10-17	
VERT. CHILLED WATER TANK				DATE: 5-6-08	
SURFACE AREA = 41.0 SQ. FT.					
UW-21(b)					
INSIDE: UNPAINTED					
OUTSIDE: PRIME					
BY: E.S.	SCALE: 1"=12"				
ROY E. HANSON JR. MFG.					
LOS ANGELES, CA 90021					