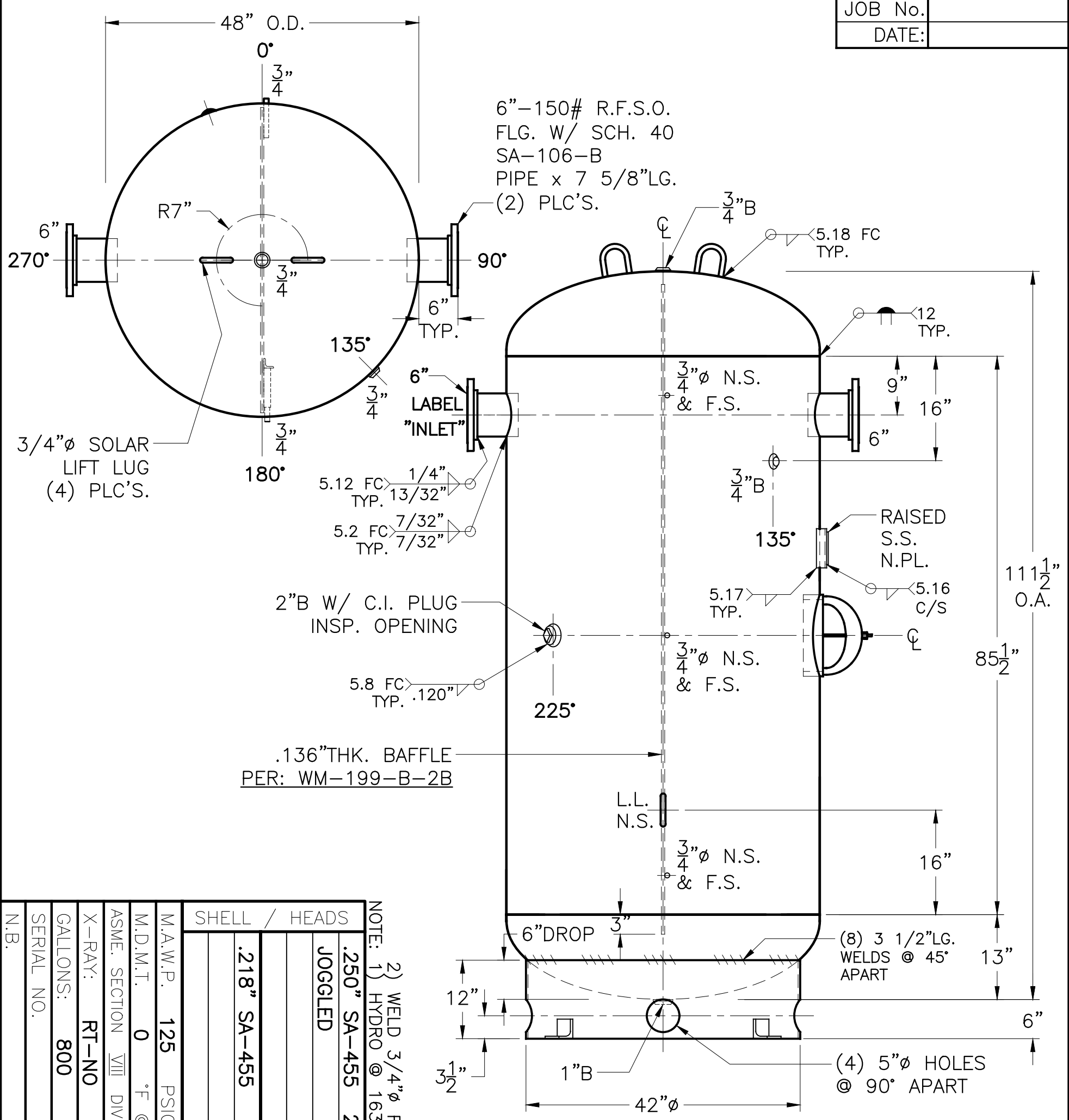


JOB No. _____
 DATE: _____



SHELL / HEADS	
JOGGLED	.250" SA-455 2:1 S.E.
M.A.W.P.	125 PSIG. @ 200 °F
M.D.M.T.	0 °F @ 125 PSIG.
ASME SECTION	VIII DIV. 1, 2017
X-RAY:	RT-NO
GALLONS:	800
WT.	1750 LBS.
SERIAL NO.	
N.B.	

NOTE: 1) HYDRO @ 163 PSIG. MIN.
 2) WELD 3/4" Ø ROUND BARS TO SHELL AFTER HEADS ARE IN PLACE.

WM-199-B	REV: 1-18-19
FOR: HANSON STANDARD	DATE: 2-11-08
VERT. CHILLED WATER TANK.	
SURFACE AREA = 126.8 SQ. FT.	
UW-21 (b)	
INSIDE: UNPAINTED	
OUTSIDE: EPOXY PRIME & R-16	
BY: J.G.	SCALE: 3/4"=12"
ROY E. HANSON JR. MFG.	
LOS ANGELES, CA 90021	

