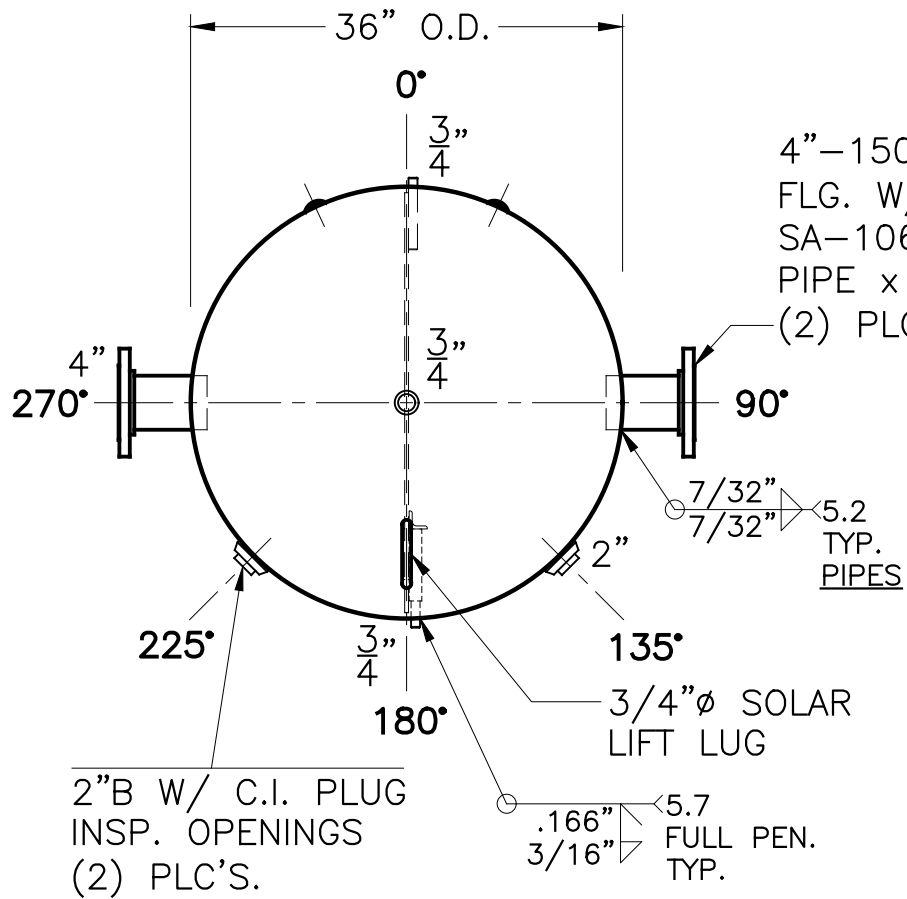
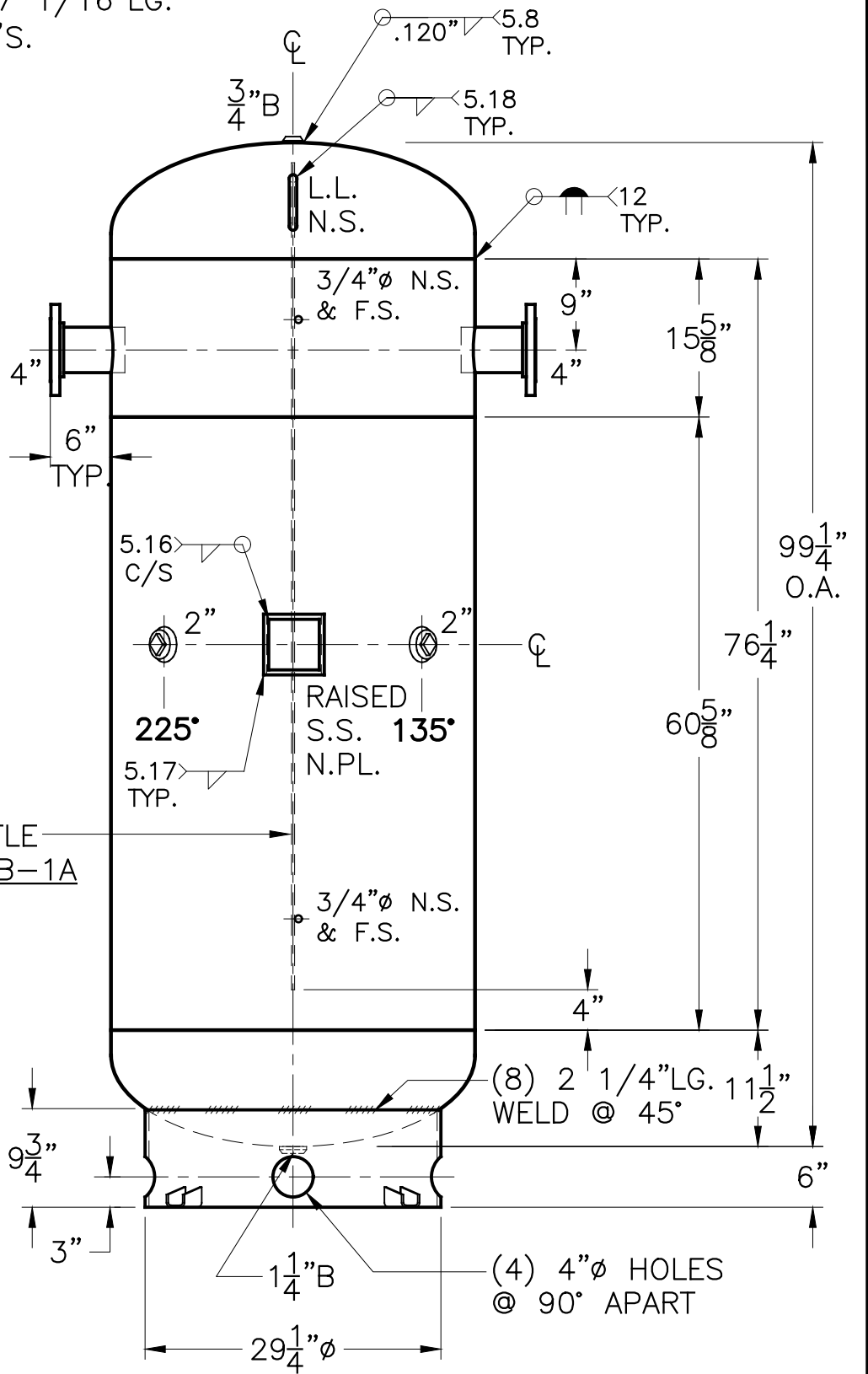


DATE	BY
3-21-17	JG



4"-150# R.F.S.O.  
 FLG. W/ SCH. 40  
 SA-106-B  
 PIPE x 7 1/16" LG.  
 (2) PLC'S.



SHELL / HEADS		NOTE: 1) WELD 3/4"Ø ROUND BARS TO SHELL AFTER HEADS ARE IN PLACE.	
JOGGLE	.165" SA-414-G	2) HYDRO @ 195 PSIG. MIN.	
M.A.W.P.	150 PSIG. @ 200 °F		
M.D.M.T.	0 °F @ 150 PSIG.		
ASME SECTION VIII	DIV. 1, 2015		
X-RAY:	RT-4 SPOT L.S. ONLY		
GALLONS:	400	WT.	815 LBS.
SERIAL NO.			
N.B.			
FOR: VERT. CHILLED WATER TANK		WL-932-B	REV: 3-21-17
SURFACE AREA = 81.4 SQ. FT.			DATE: 5-24-07
INSIDE: UNPAINTED			
OUTSIDE: PRIME			
BY: E.S. / B.C.		SCALE: 3/4"=12"	
ROY E. HANSON JR. MFG.			
LOS ANGELES, CA 90021			

1/4" THK. CLIPS PER MA-395-B (4) PLC'S. W/ 9/16"Ø HOLE ON 32 3/8" B.C.; WELD OUTSIDE VERT. EDGE OF CLIP ONLY

