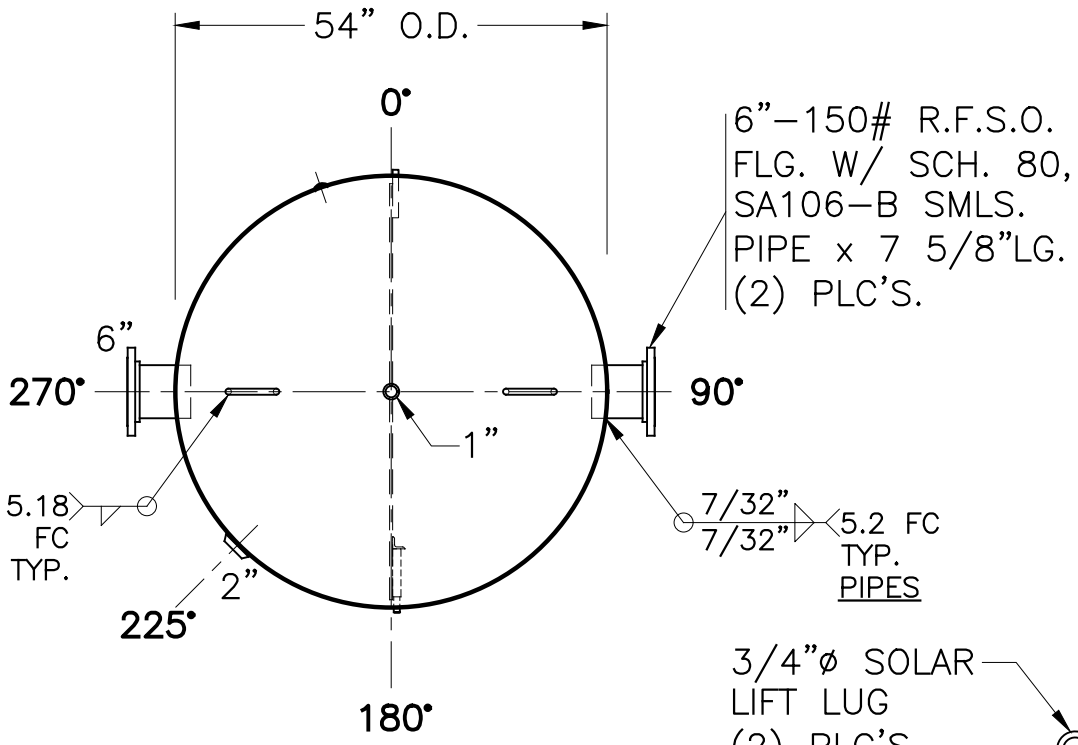


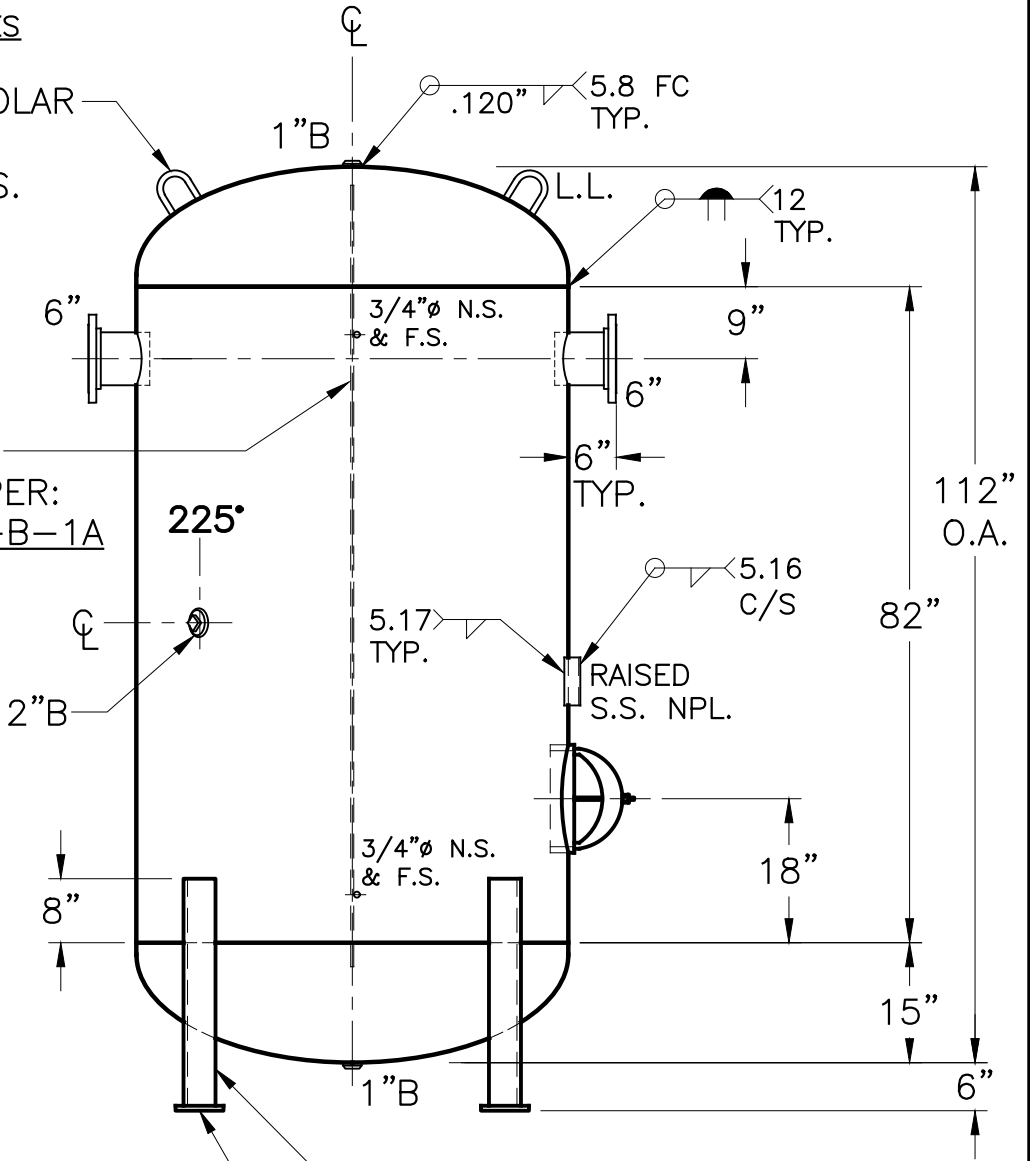
DATE	BY
3-24-16	JG



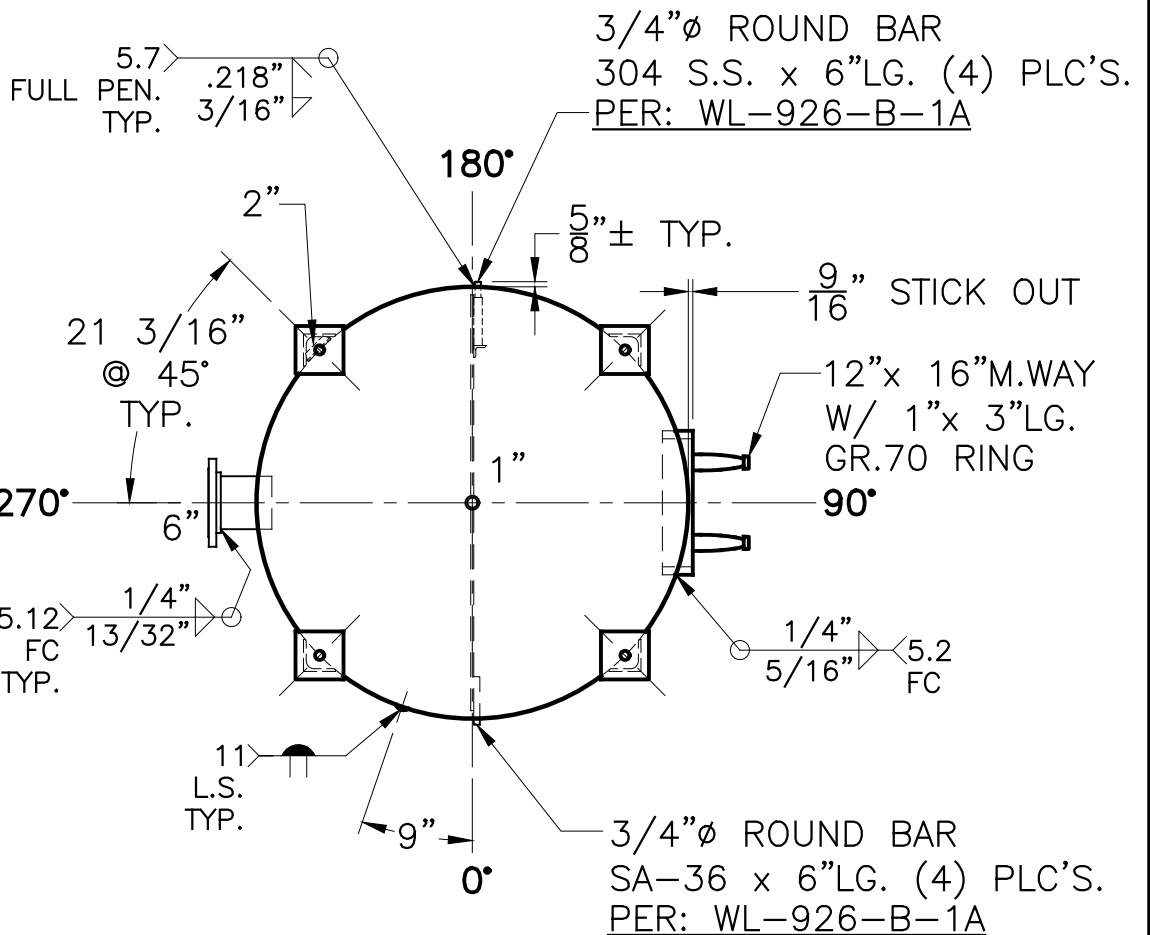
6"-150# R.F.S.O.  
 FLG. W/ SCH. 80,  
 SA106-B SMLS.  
 PIPE x 7 5/8"LG.  
 (2) PLC'S.

3/4"φ SOLAR  
 LIFT LUG  
 (2) PLC'S.

136"THK.  
 BAFFLE PER:  
 WL-926-B-1A



(4) 4"x 4"x 3/8"THK.  
 x 28 1/2"LG. ANGLE LEGS  
 (4) 6"x 6"x 1/2"THK.  
 PAD W/ 7/8"φ HOLE



3/4"φ ROUND BAR  
 304 S.S. x 6"LG. (4) PLC'S.  
 PER: WL-926-B-1A

3/4"φ ROUND BAR  
 SA-36 x 6"LG. (4) PLC'S.  
 PER: WL-926-B-1A

NOTE: 1) HYDRO @ 163 PSIG. MIN.  
 2) WELD 3/4"φ ROUND BARS TO SHELL AFTER HEADS ARE IN PLACE.

SHELL / HEADS		.250" SA-516-70 2:1 S.E.	
JOGGLE			
.218" SA-455			
M.A.W.P.	125 PSIG. @ 200 °F		
M.D.M.T.	0 °F @ 125 PSIG.		
ASME SECTION VIII DIV. 1, 2015			
X-RAY:	RT-4 SPOT L.S. ONLY		
GALLONS:	1000	WT.	1980 LBS.
SERIAL NO.			
N.B.			
FOR:		WL-926-B	
VERT. CHILLED WATER TANK		REV. 3-24-16	
INSIDE: UNLINED		DATE: 5-18-07	
OUTSIDE: SHOP PRIME			
LEG-ZONE 4-2 KM.			
BY: J.G. / C.J. SCALE: 1/2"=12"			
ROY E. HANSON JR. MFG.			
1600 E. WASHINGTON BLVD. LOS ANGELES, CA 90021			