

2" R W/ C.I. PLUG INSP. OPENINGS  
(2) PLC'S.

4"-150# R.F.S.O.  
FLG. W/SCH 40  
SA-106-B  
PIPE X 7 1/16" LG.  
(2) PLC'S

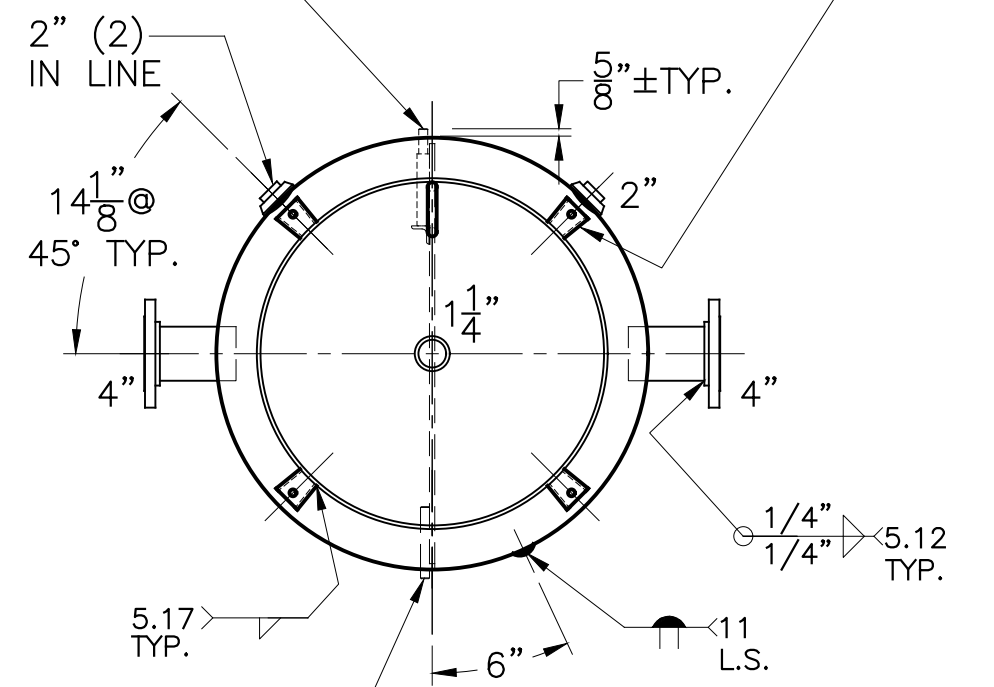
.166" - BAFFLE  
PER: WL-919-B-1A

3/4"-3000#  
EXTENDED CPLG.  
W/SHORT PILOT

3/4" SOLAR  
L. LUG  
(2) PLC'S

3/4" ROUND BAR  
304 S.S. x 6" LG. (2) PLC'S  
PER: WM-191-B DETAIL

1/4" THK. CLIPS PER  
MA-395-B (4) PLC'S  
W 9/16" HOLE ON  
32 3/8" B.C.; WELD OUTSIDE  
VERT. EDGE OF CLIP ONLY



NOTE: 1) HYDRO @ 163 PSIG. MIN.  
2) WELD 3/4" ROUND BARS TO SHELL AFTER HEADS ARE IN PLACE.

SHELL / HEADS		M.A.W.P. 125 PSIG. @ 200 °F		FOR: -	WL-919-B	REV. 1-15-10
.182" SA-455 2:1 S.E.		M.D.M.T. 0 °F @ 125 PSIG.				DATE: 5-10-07
JOGGLE - .149 OFFSET		ASME. SECTION VIII DIV. 1, 2007 ADD. 2009		VERT. CHILLED WATER TANK		
.165" SA-414-G		X-RAY: RT-NO		SURFACE AREA = 55.6 SQ. FT.		
		GALLONS: 250		INSIDE: UNPAINTED		
		WT. 542 LBS.		OUTSIDE: SHOP PRIME		
		SERIAL NO.		BY: J.G./C.J. SCALE: 3/4"=12"		
		N.B.		ROY E. HANSON JR. MFG.		
				1600 E. WASHINGTON BLVD. LOS ANGELES, CA 90021		