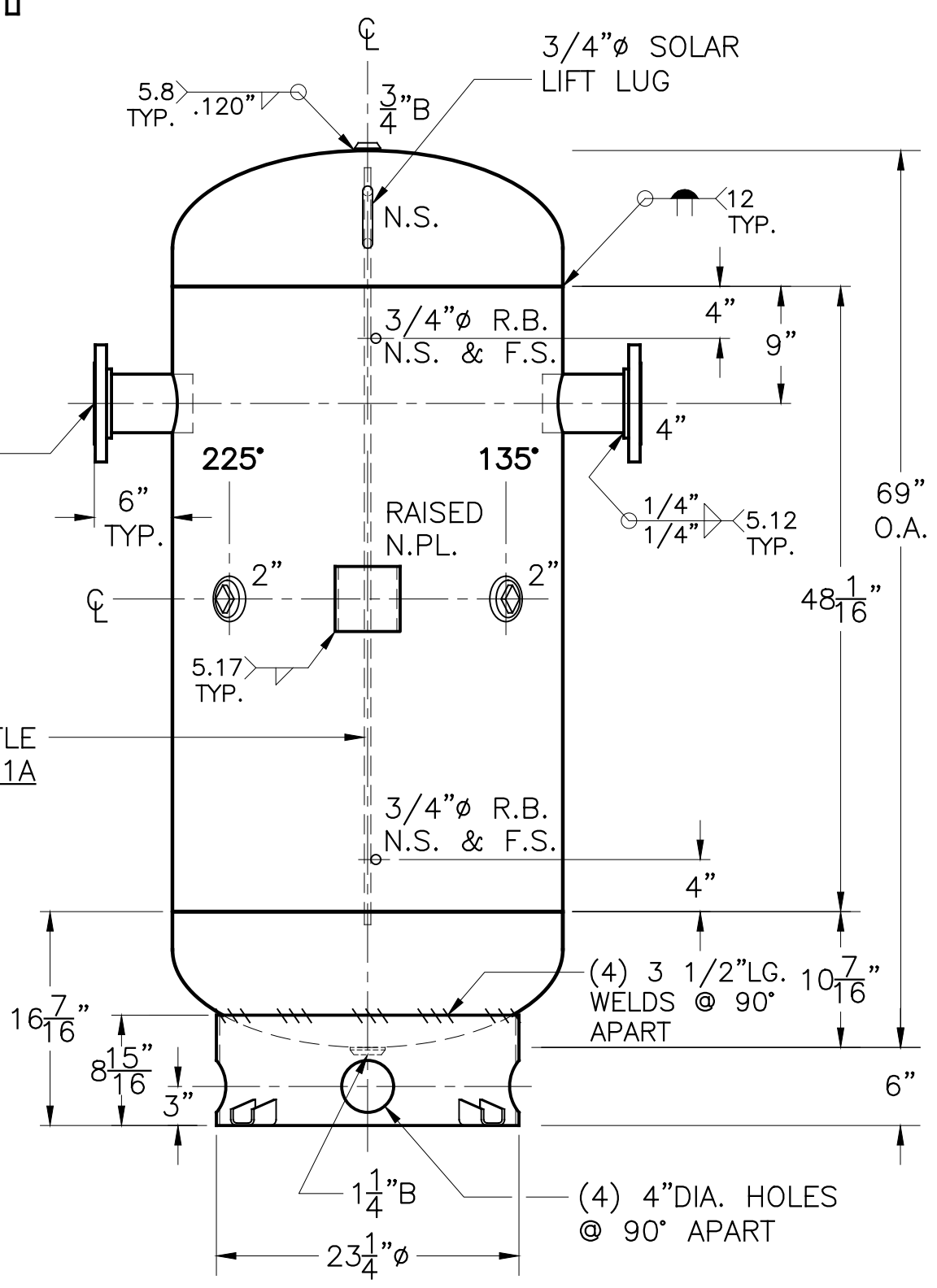


2" R W/ C.I. PLUG  
INSP. OPENING  
(2) PLC'S.

4"-150# R.F.S.O.  
FLG. W/ SCH. 40  
SA-106-B  
PIPE x 7 1/16" LG.  
(2) PLC'S.

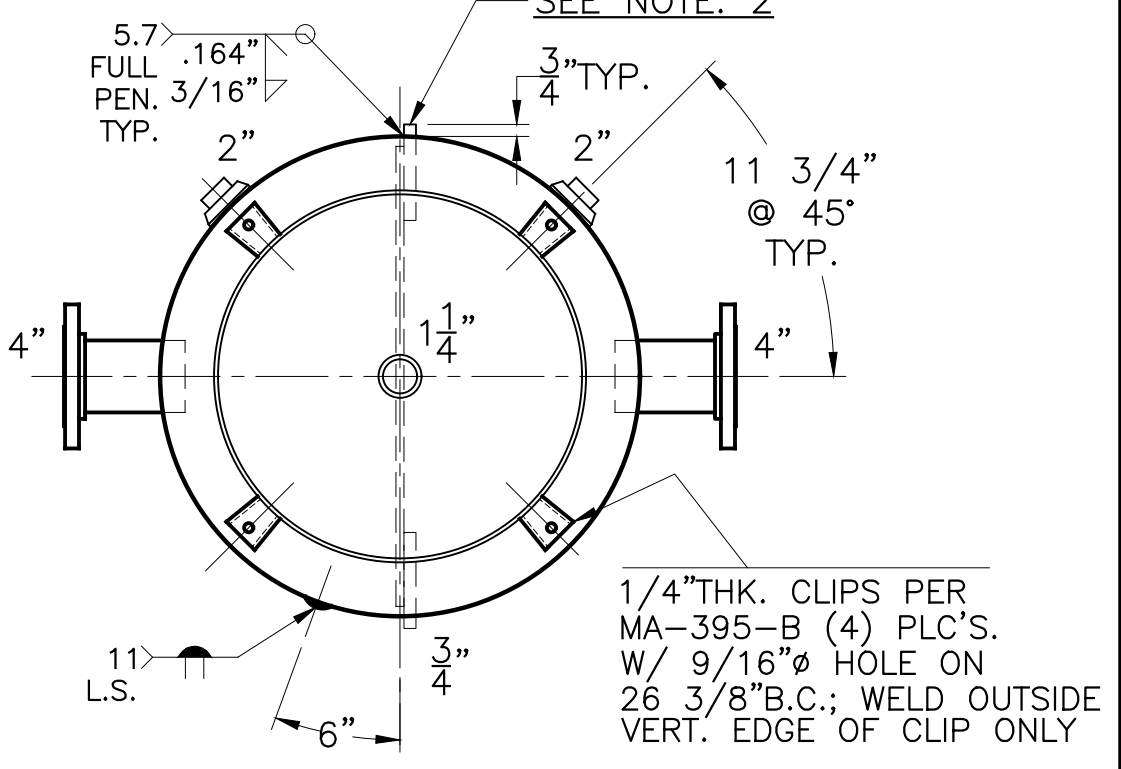


.135" THK. BAFFLE  
PER: WL-872-B-1A

(4) 3 1/2" LG. 10 7/16"  
WELDS @ 90°  
APART

(4) 4" DIA. HOLES  
@ 90° APART

3/4" Ø ROUND BAR  
SA-36 x 6" LG. (4) PLC'S.  
SEE NOTE: 2



1/4" THK. CLIPS PER  
MA-395-B (4) PLC'S.  
W/ 9/16" Ø HOLE ON  
26 3/8" B.C.; WELD OUTSIDE  
VERT. EDGE OF CLIP ONLY

NOTE: 1) WELD 3/4" Ø ROUND BARS TO SHELL AFTER HEADS ARE IN PLACE.  
2) HYDRO @ 195 PSIG. MIN.

SHELL / HEADS		JOGGLE	
.166" SA-414-G 2:1 S.E.		.166" SA-414-G 2:1 S.E.	
M.A.W.P.	150 PSIG. @ 180 °F	WT.	525 LBS.
M.D.M.T.	0 °F @ 150 PSIG.	GALLONS: 189	
ASME SECTION VIII DIV. 1, 2007 ADD 2008		SERIAL NO.	
X-RAY: RT-NO		N.B.	
FOR: VERT. CHILLED WATER TANK		REV. 6-4-09	
SURFACE AREA = 48.9 SQ. FT.		DATE: 3-27-07	
INSIDE: UNPAINTED		WL-872-B	
OUTSIDE: PRIME & R-16		SCALE: 1"=12"	
BY: E.S. / FRED		ROY E. HANSON JR. MFG.	
1600 E. WASHINGTON BLVD.		LOS ANGELES, CA 90021	