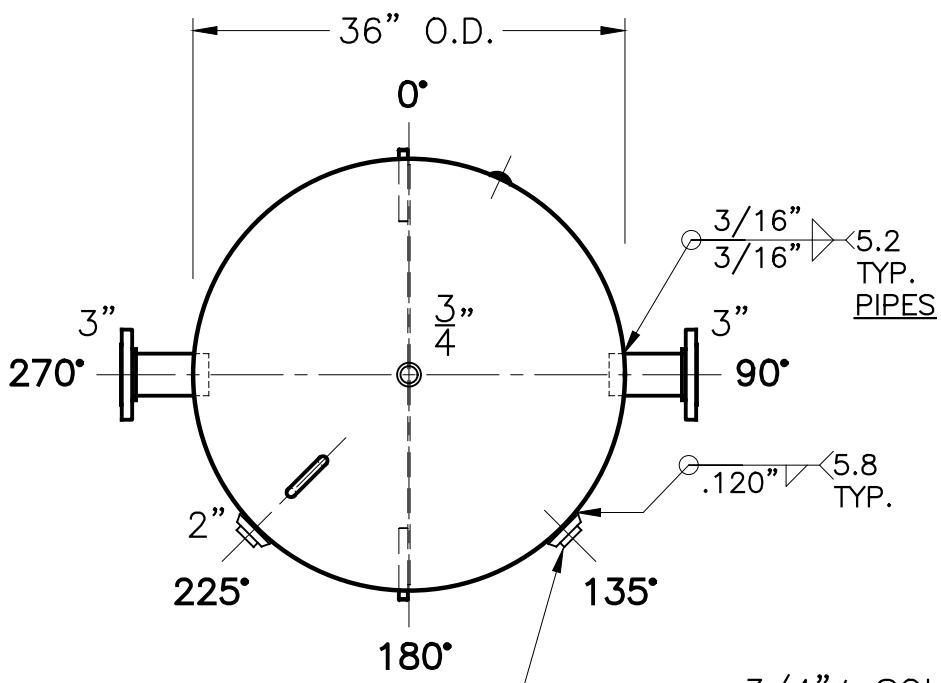


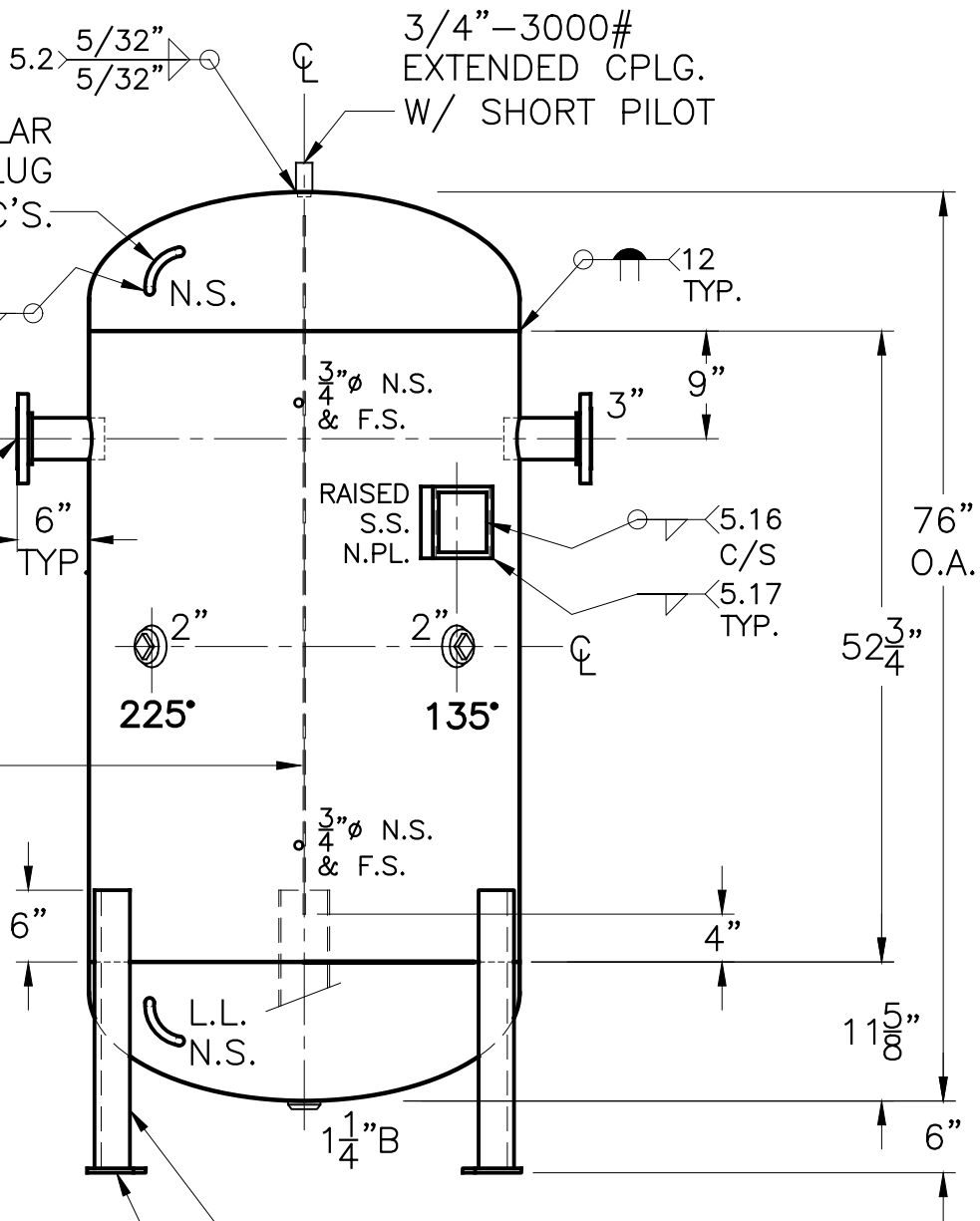
DATE	BY
12-15-15	JG



2"R W/ C.I. PLUG  
INSP. OPENINGS  
(2) PLC'S.

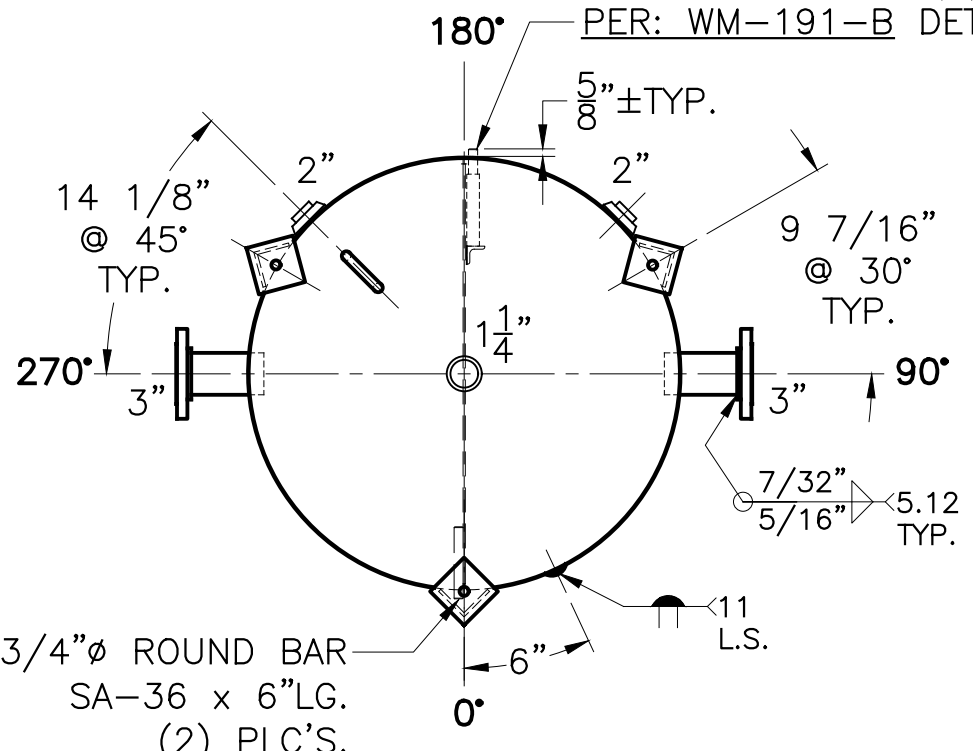
3"-150# R.F.S.O.  
FLG. W/ SCH. 40  
SA-106-B  
PIPE x 7"LG.  
(2) PLC'S.

.136" - BAFFLE  
PER: WL-818-B-1A



(3) 3"x 3"x 1/4"THK.  
x 23 1/4"LG. ANGLE LEGS  
  
(3) 4"x 4"x 3/8"THK.  
PAD W/ 7/8"Ø HOLES

3/4"Ø ROUND BAR  
304 S.S. x 6"LG. (2) PLC'S.  
PER: WM-191-B DETAIL



3/4"Ø ROUND BAR  
SA-36 x 6"LG.  
(2) PLC'S.

NOTE: 1) HYDRO @ 195 PSIG. MIN.  
2) WELD 3/4"Ø ROUND BARS TO SHELL AFTER HEADS ARE IN PLACE.  
3) LOAD 45° DOWN.

SHELL / HEADS	
JOGGLE	.189" SA-414-G 2:1 S.E.
M.A.W.P.	150 PSIG. @ 200 °F
M.D.M.T.	0 °F @ 150 PSIG.
ASME SECTION VIII	DIV. 1, 2015
X-RAY:	RT-4 SPOT L.S. ONLY
GALLONS:	300 WT. 648 LBS.
SERIAL NO.	
N.B.	
FOR: VERT. CHILLED WATER TANK	
SURFACE AREA = 64.8 SQ. FT.	
UW-21 (b)	
INSIDE: UNPAINTED	
OUTSIDE: PRIME	
LEG-ZONE 1-15 KM.	
BY: E.S. / R.V.	SCALE: 3/4"=12"
<b>ROY E. HANSON JR. MFG.</b>	
LOS ANGELES, CA 90021	
WL-818-B	REV. 12-15-15
	DATE: 2-12-07