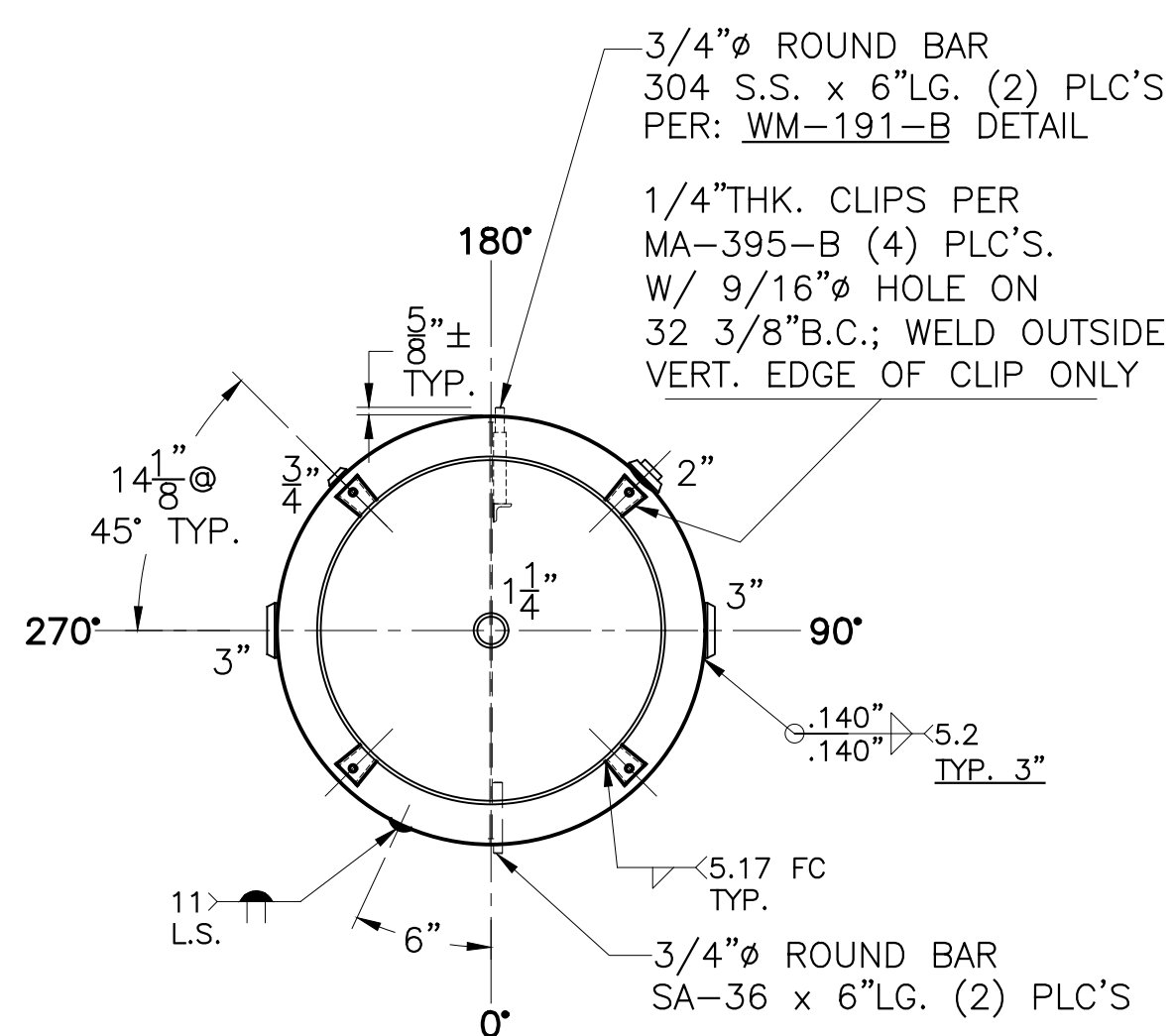
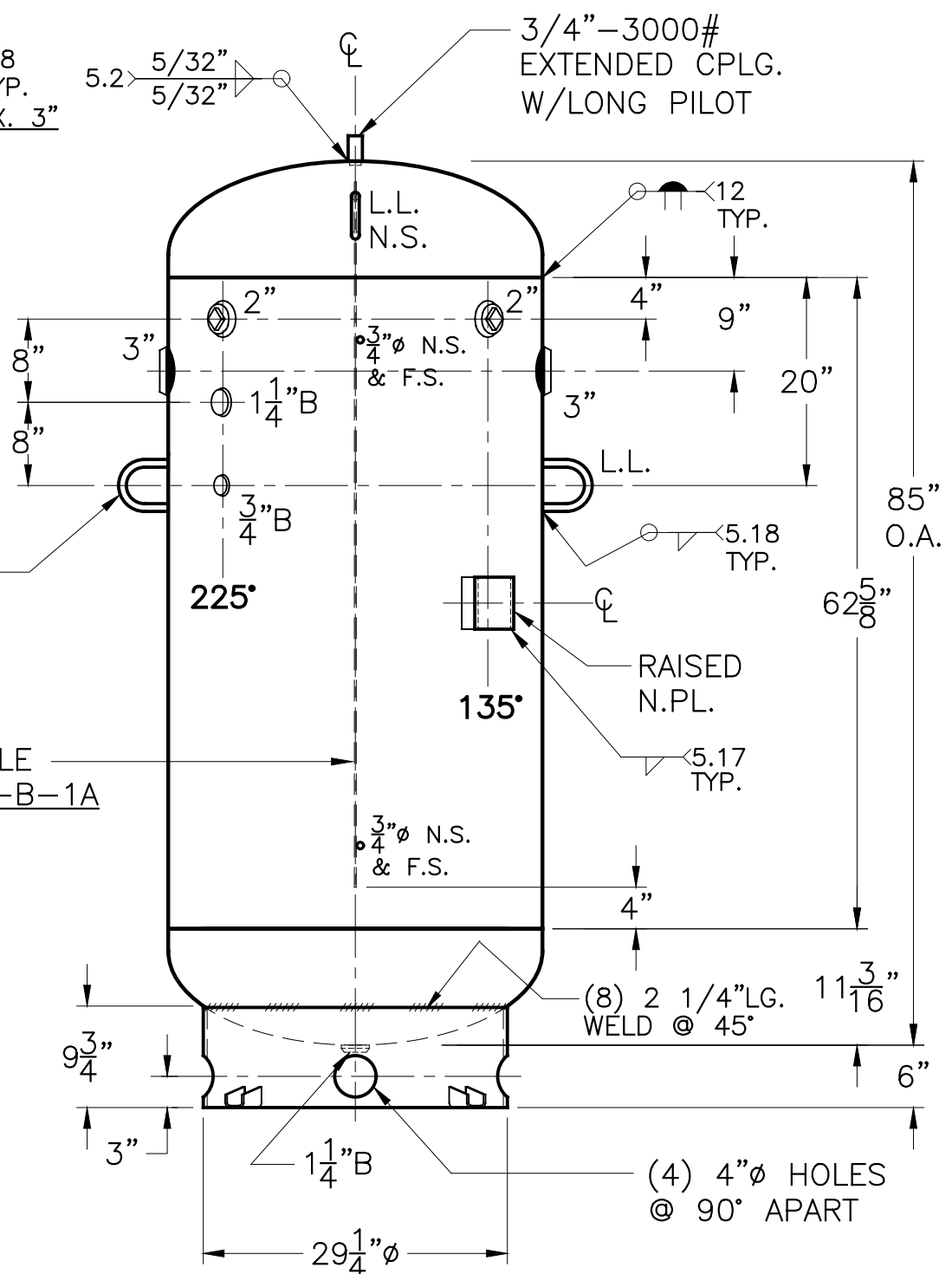
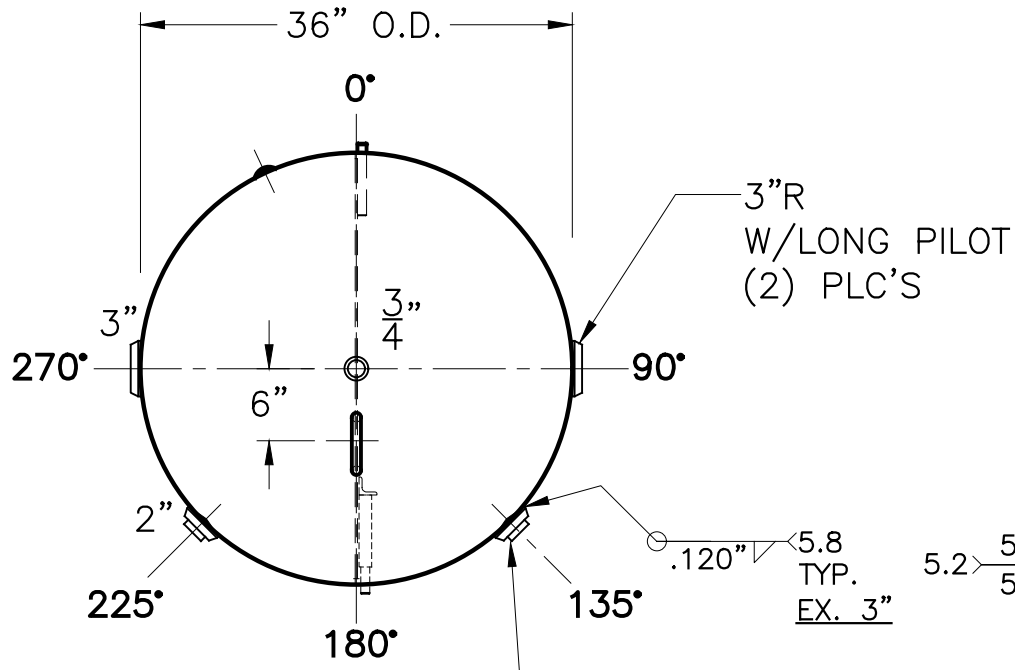


DATE	BY



NOTE: 1) HYDRO @ 195 PSIG. MIN.
 2) WELD 3/4" ϕ ROUND BARS TO SHELL AFTER HEADS ARE IN PLACE.

SHELL / HEADS	.182" SA-414-G 2:1 S.E.
JOGGLE -	.159 OFFSET
M.A.W.P.	150 PSIG. @ 200 °F
M.D.M.T.	0 °F @ 150 PSIG.
ASME. SECTION VIII	DIV. 1, 2010 ADD. 2011
X-RAY:	RT-4 SPOT L.S. ONLY
GALLONS:	350 WT. 738 LBS.
SERIAL NO.	
N.B.	

FOR:	VERT. CHILLED WATER TANK
	SURFACE AREA = 71.3 SQ. FT.
INSIDE:	UNPAINTED
OUTSIDE:	S.BLAST, INORGANIC ZINC
	PRIME & 3" FIBERGLASS W/ALUM. JKT.
BY:	J.G./C.J.
	SCALE: 3/4"=12"
ROY E. HANSON JR. MFG.	1600 E. WASHINGTON BLVD. LOS ANGELES, CA 90021
WL-778-B	REV. 11-29-12
	DATE: 1-10-07