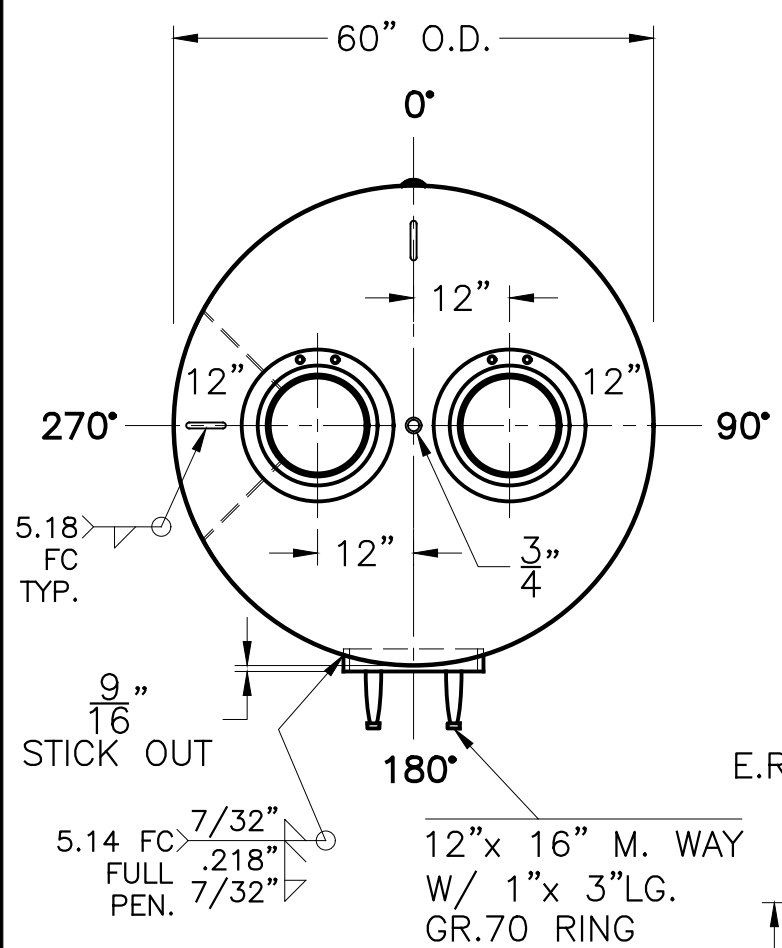
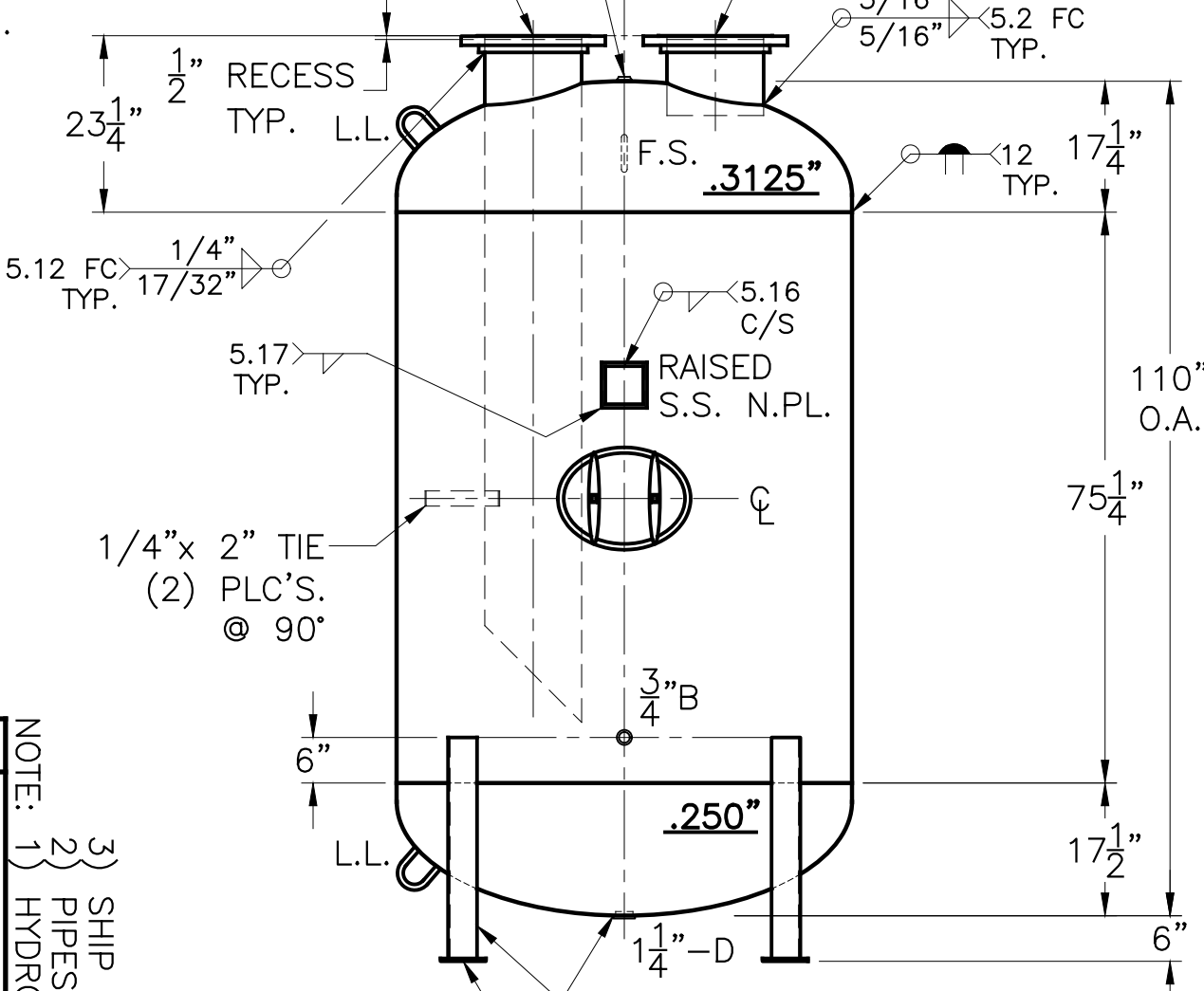


DATE	BY
2-13-14	RH



12"-150# R.F.S.O. C/S FLG. W/ STD. WT. (.375") E.R.W. PIPE x 90" LG. W/ 45° MITER

12"-150# R.F.S.O. C/S FLG. W/ STD. WT. (.375") E.R.W. PIPE x 10" LG.



(4) 4" x 4" x 1/4" THK. x 29 1/8" LG. ANGLE LEGS

(4) 6" x 6" x 3/8" THK. PAD W/ 1" Ø HOLE

NOTE: 1) 3) SHIP 90° DOWN.
2) PIPES ARE SA-53B E.R.W. HYDRO @ 163 PSIG. MIN.

SHELL / HEADS	
TOP - .3125" SA-455	2:1 S.E.
BTM - .250" SA-455	2:1 S.E.
(.232" MIN.)	
.218" SA-455	
M.A.W.P.	125 PSIG. @ 200 °F
M.D.M.T.	0 °F @ 125 PSIG.
ASME SECTION	VIII DIV. 1, 2013
X-RAY:	RT-4 SPOT L.S. ONLY
GALLONS:	1200 WT. 2518 LBS.
SERIAL NO.	
N.B.	

WL-748-B	REV. 2-13-14
	DATE: 12-4-06
FOR:	VERT. CHILLED WATER TANK
	SURFACE AREA = 158.9 SQ. FT.
	UW-21(b)
INSIDE:	EPOXY LINED
OUTSIDE:	S. BLAST, PRIME & EPOXY 1075 WHITE
BY:	E.S. / R.V. SCALE: 1/2"=12"
ROY E. HANSON JR. MFG.	
1600 E. WASHINGTON BLVD. LOS ANGELES, CA 90021	

