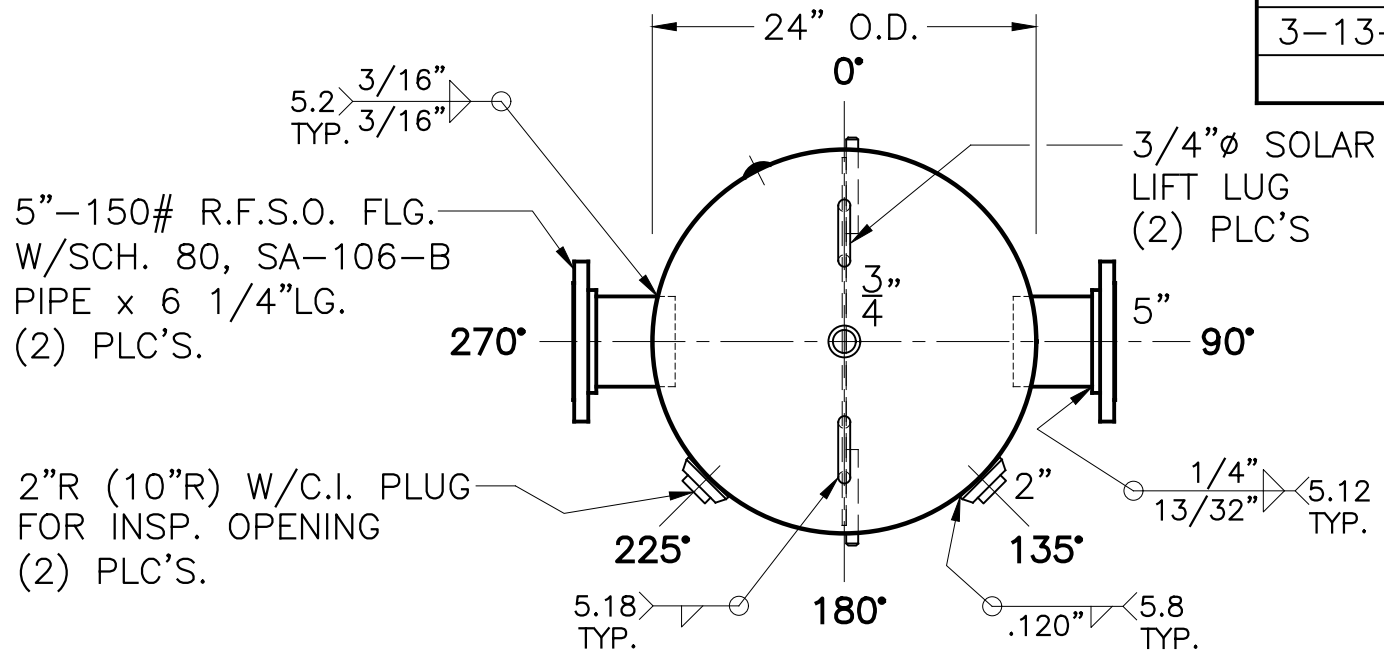
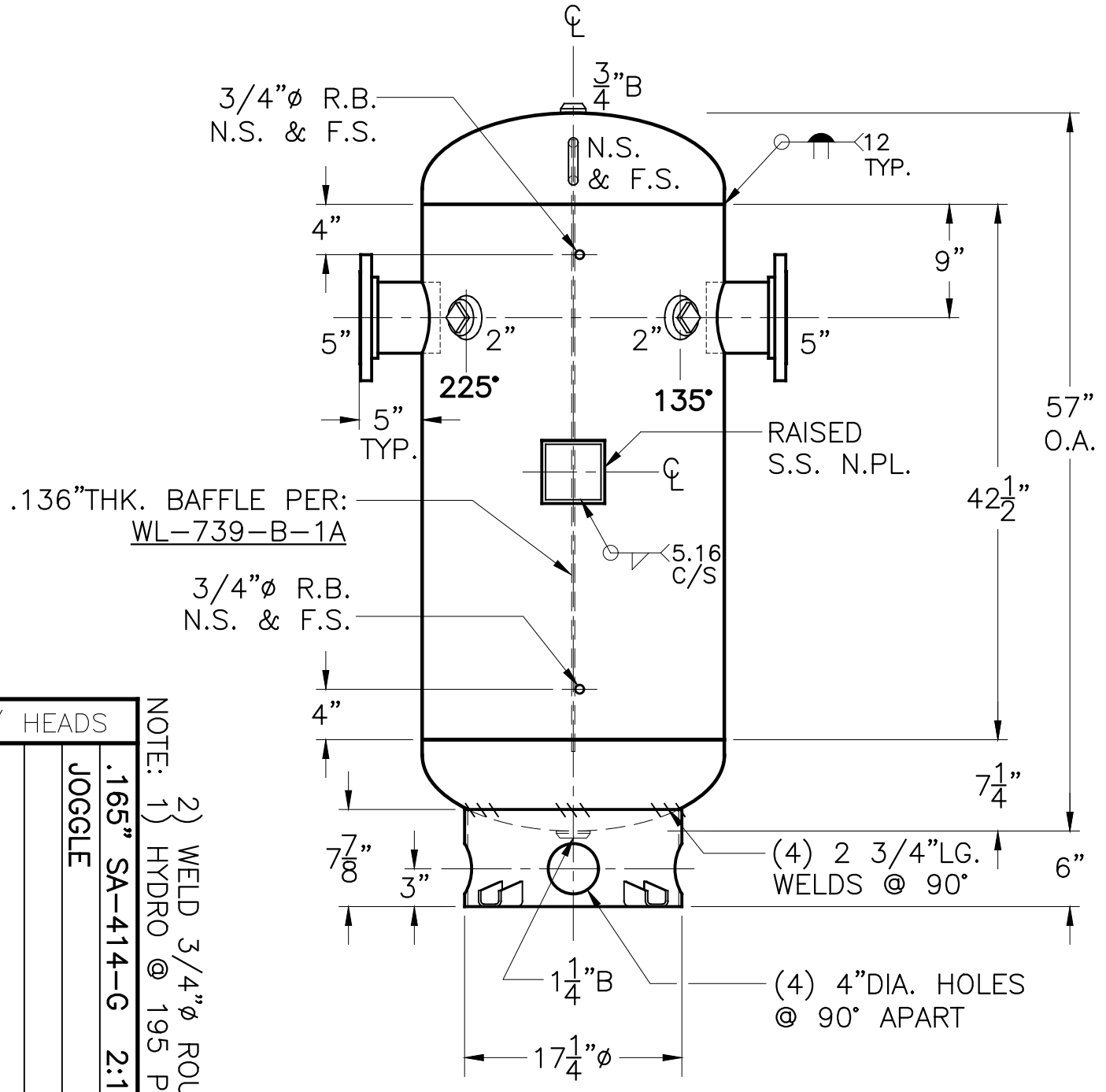


DATE	BY
3-13-18	JG



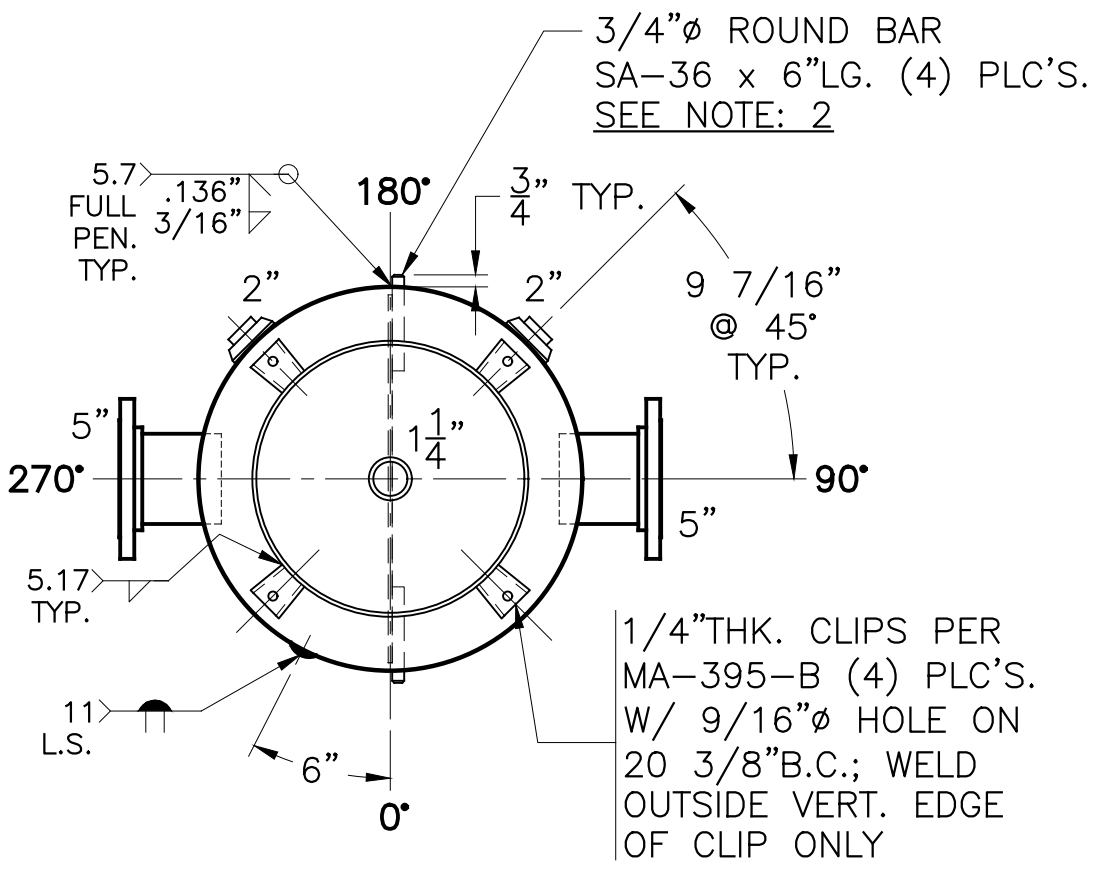
5"-150# R.F.S.O. FLG.
W/SCH. 80, SA-106-B
PIPE x 6 1/4" LG.
(2) PLC'S.

2"R (10"R) W/C.I. PLUG
FOR INSP. OPENING
(2) PLC'S.



.136" THK. BAFFLE PER:
WL-739-B-1A

NOTE: 1) WELD 3/4" Ø ROUND BARS TO SHELL AFTER HEADS ARE IN PLACE.
2) HYDRO @ 195 PSIG. MIN.



1/4" THK. CLIPS PER
MA-395-B (4) PLC'S.
W/ 9/16" Ø HOLE ON
20 3/8" B.C.; WELD
OUTSIDE VERT. EDGE
OF CLIP ONLY

SHELL / HEADS		.165" SA-414-G 2:1 S.E.	
JOGGLE			
M.A.W.P.	150 PSIG. @ 200 °F		
M.D.M.T.	0 °F @ 150 PSIG.		
ASME SECTION VIII	DIV. 1, 2017		
X-RAY:	RT-NO		
GALLONS:	100	WT.	290 LBS.
SERIAL NO.			
N.B.			
FOR:		VERT. CHILLED WATER TANK	
		SURFACE AREA = 32.2 SQ. FT.	
INSIDE:		UNPAINTED	
OUTSIDE:		INORGANIC ZINC PRIME AND R-16	
BY:	J.G./H.D.	SCALE:	1"=12"
ROY E. HANSON JR. MFG.			
LOS ANGELES, CA 90021			
WL-739-B		REV.	4-16-18
		DATE:	11-29-06