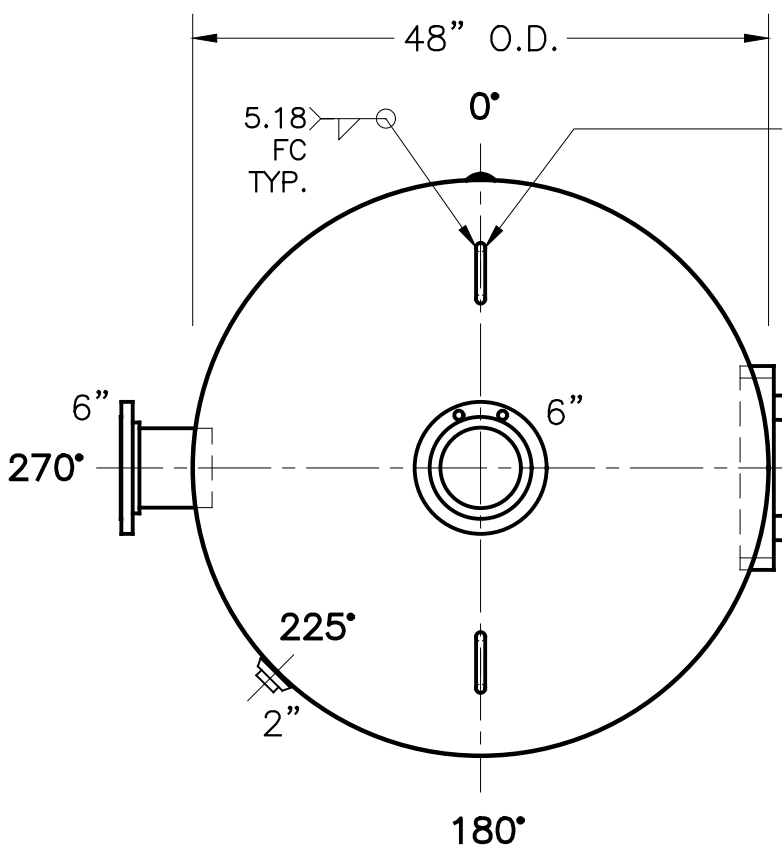


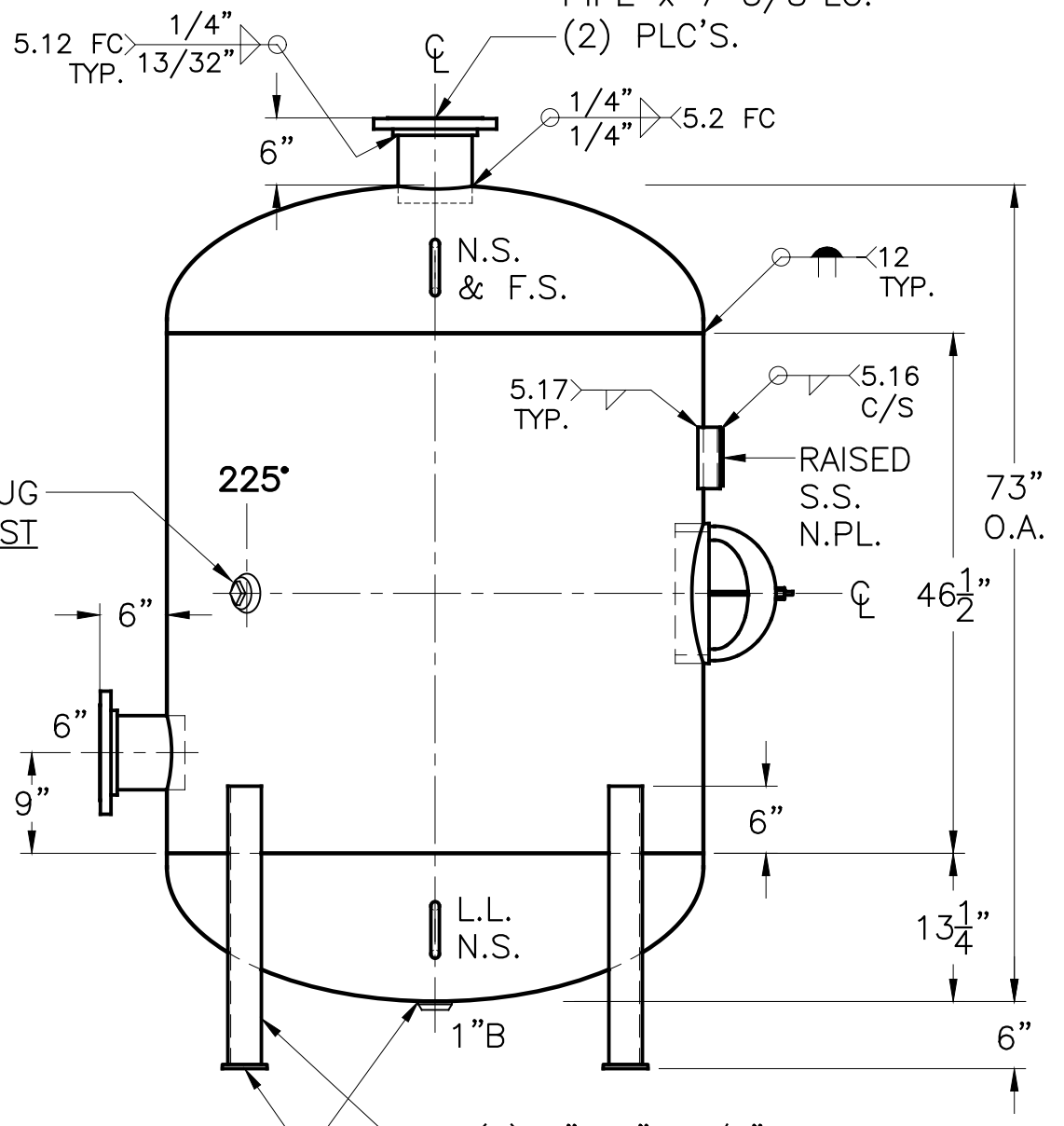
DATE	BY
9-20-13	ES



3/4"φ SOLAR LIFT LUG (3) PLC'S.

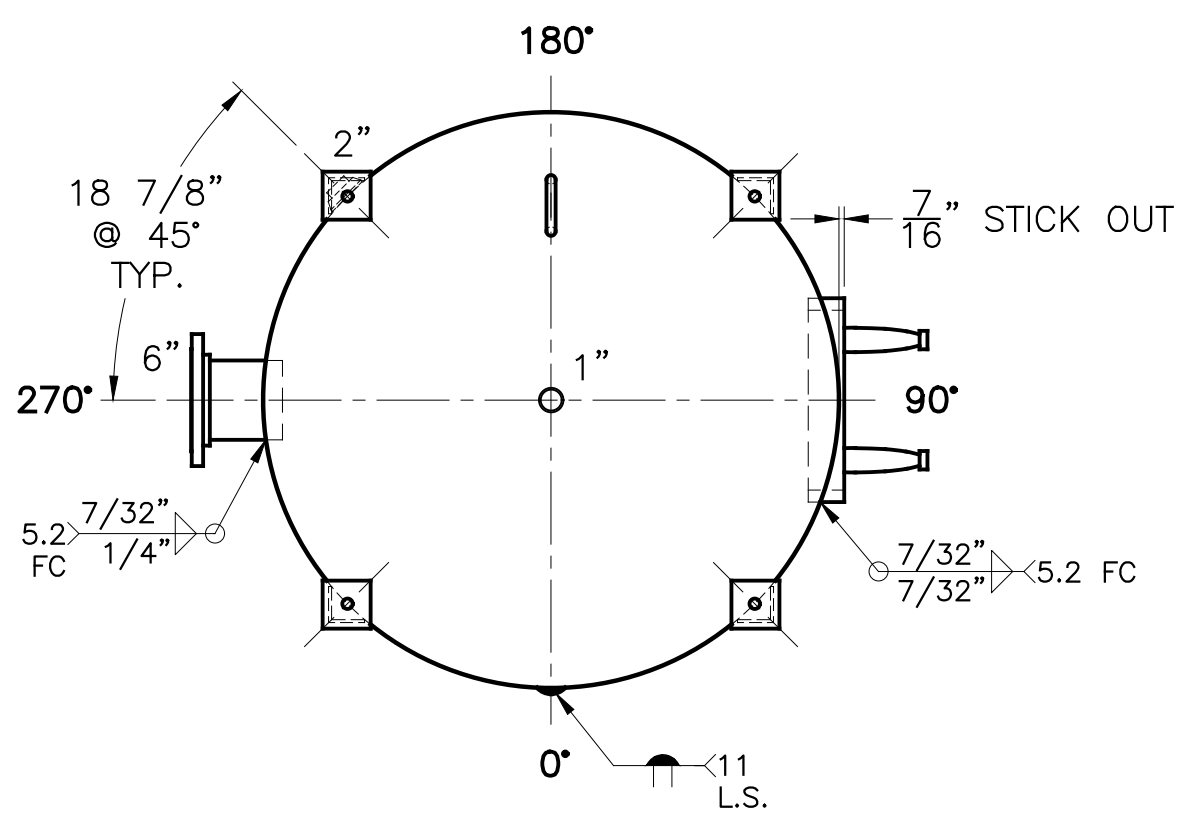
12"x 16" M. WAY W/ 3/4"x 3" LG. GR.70 RING

6"-150# R.F.S.O. FLG. W/ SCH. 40 SA-106-B PIPE x 7 5/8" LG. (2) PLC'S.



(4) 3"x 3"x 1/4" THK. x 24 7/8" LG. ANGLE LEGS

(4) 4"x 4"x 3/8" THK. PAD W/ 7/8"φ HOLE



NOTE: 1) HYDRO @ 165 PSIG. MIN.	SHELL / HEADS	.245" SA-455 2:1 S.E.
	JOGGLED	
M.A.W.P.	125 PSIG. @ 200 °F	
M.D.M.T.	0 °F @ 125 PSIG.	
ASME. SECTION	VIII DIV. 1, 2010 ADD 2011	
X-RAY:	RT-NO	
GALLONS:	500	WT. 1112 LBS.
SERIAL NO.		
N.B.		
	WL-644-B	REV. 9-20-13
		DATE: 9-1-06
FOR:	VERT. CHILLED WATER TANK.	
	SURFACE AREA = 85.9 SQ. FT.	
	UW-21 (b)	
INSIDE:	UNPAINTED	
OUTSIDE:	PRIME & R-16	
BY:	E.S. / C.J.	SCALE: 3/4"=12"
	ROY E. HANSON JR. MFG.	
	1600 E. WASHINGTON BLVD.	
	LOS ANGELES, CA 90021	