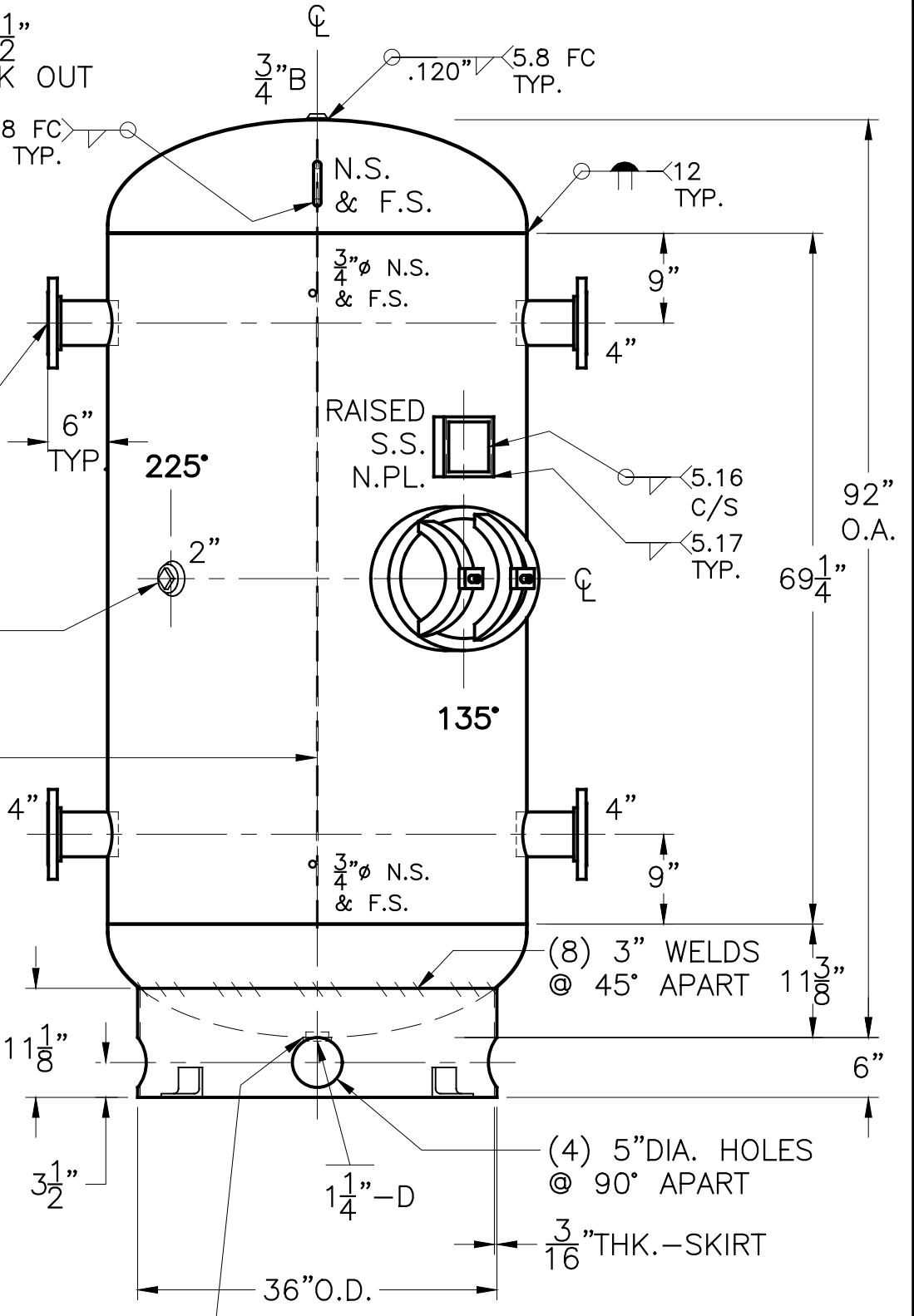
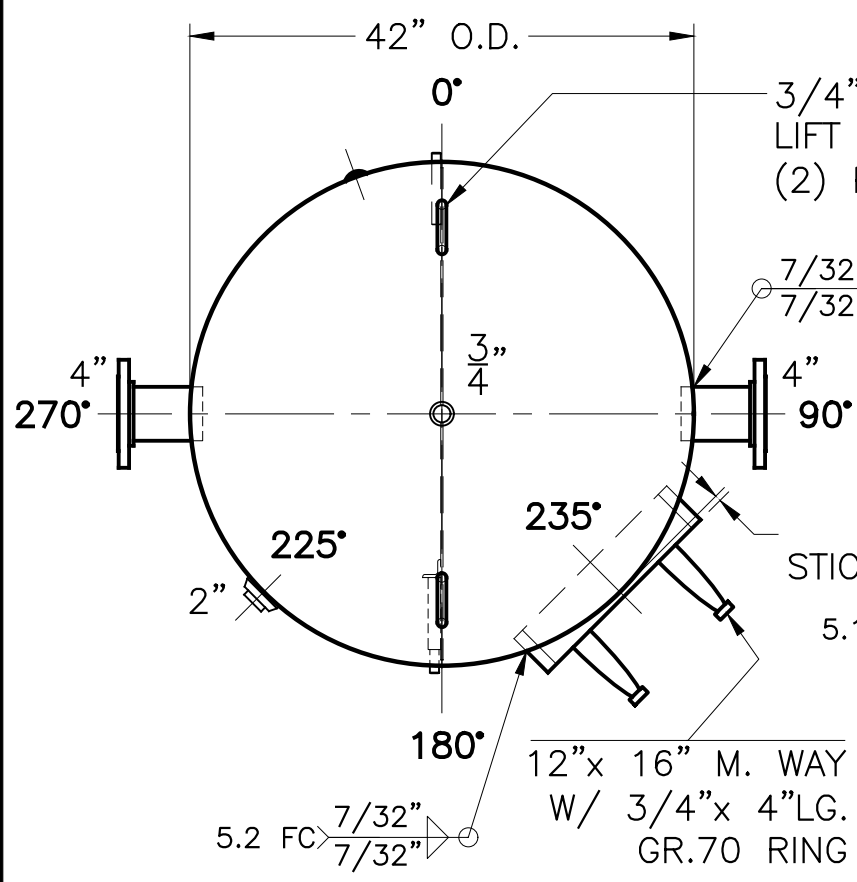


DATE	BY
1-19-15	JG



SHELL / HEADS	
JOGGLE	.205" SA-455 2:1 S.E.
M.A.W.P.	150 PSIG. @ 200 °F
M.D.M.T.	0 °F @ 150 PSIG.
ASME SECTION VIII	DIV. 1, 2013
X-RAY:	RT-NO
GALLONS:	500 WT. 1142 LBS.
SERIAL NO.	N.B.

NOTE: 1) WELD 3/4" ROUND BARS TO SHELL AFTER HEADS ARE IN PLACE.
 2) HYDRO @ 195 PSIG. MIN.

FOR:	VERT. CHILLED WATER TANK
SURFACE AREA =	91.6 SQ. FT.
INSIDE:	UNPAINTED
OUTSIDE:	PRIME & R-16 FOAM
BY:	E.S. / R.V.
SCALE:	3/4"=12"
REV.	1-19-15
DATE:	8-30-06
WL-641-B	
ROY E. HANSON JR. MFG.	
1600 E. WASHINGTON BLVD. LOS ANGELES, CA 90021	

