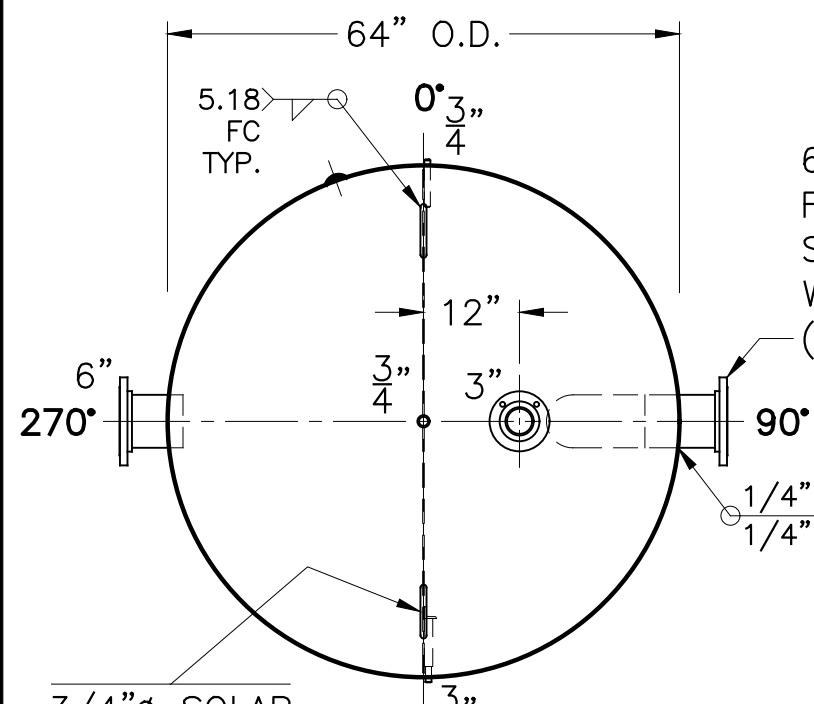
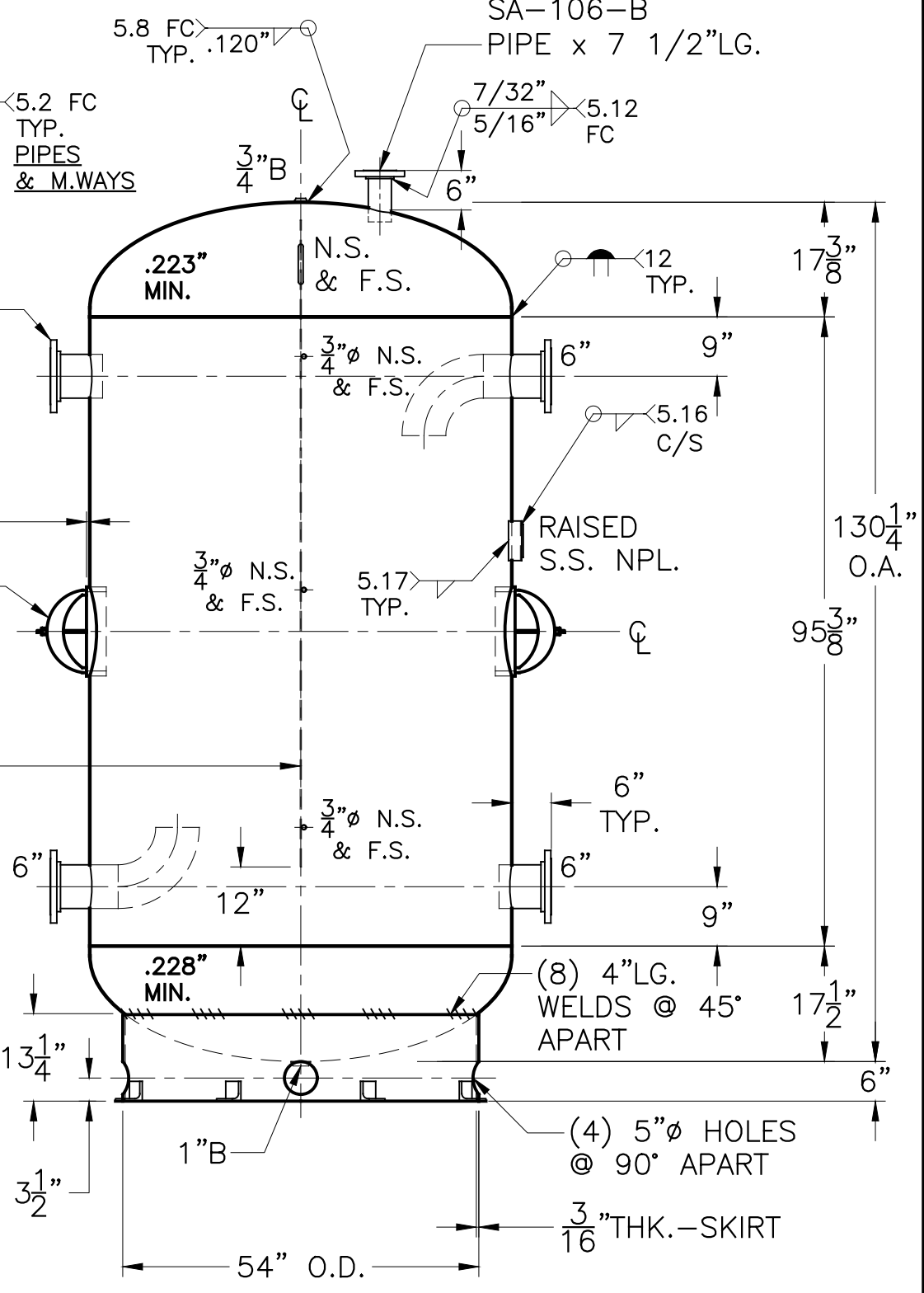


DATE	BY
8-15-14	RH
9-10-14	ES
10-2-14	RH



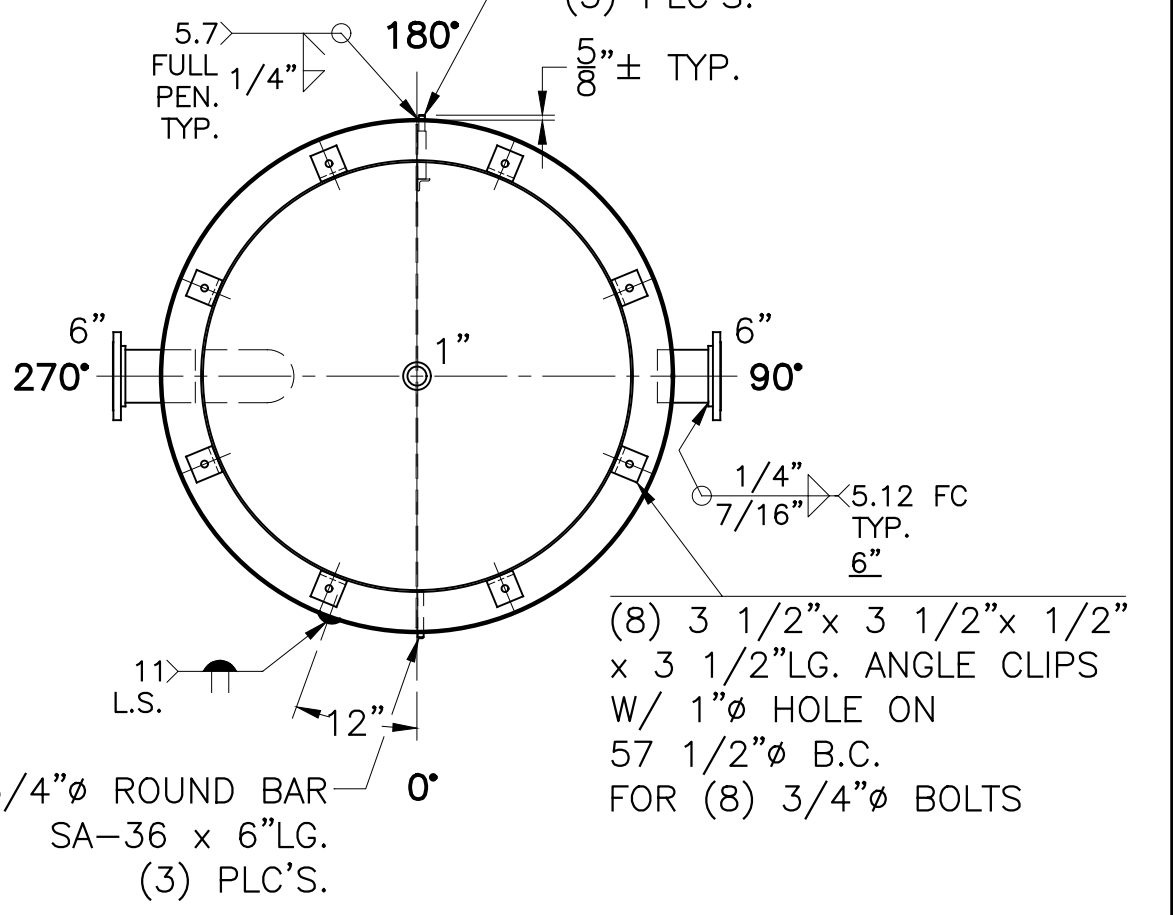
6"-150# R.F.S.O.  
 FLG. W/ SCH. 80  
 SA-106-B PIPE x 10"LG.  
 W/ SCH. 40-90° L.R. ELL.  
 (2) PLC'S.

3"-150# R.F.S.O.  
 FLG. W/ SCH. 40  
 SA-106-B  
 PIPE x 7 1/2"LG.



6"-150# R.F.S.O.  
 FLG. W/ SCH. 80  
 SA-106-B  
 PIPE x 7 5/8"LG.  
 (2) PLC'S.  
 7/16" STICK OUT  
 TYP.  
 12"x 16" M. WAY  
 W/ 1"x 3"LG.  
 GR.70 RING  
 (2) PLC'S.  
 .149" - BAFFLE  
 PER: WL-633-B-2B

3/4"Ø ROUND BAR  
 304 S.S. x 6"LG.  
 PER: WM-191-B  
 (3) PLC'S.



SHELL / HEADS	
TOP-.250" SA-455	2:1 S.E.
(.223" MIN.)	
BTM-.250" SA-455	2:1 S.E.
(.228" MIN.)	
.252" SA-455	
M.A.W.P. 125 PSIG. @ 200 °F	
M.D.M.T. 0 °F @ 125 PSIG	
ASME SECTION VIII DIV. 1, 2013	
X-RAY: RT-4 SPOT L.S. ONLY	
GALLONS: 1650	WT. 3088 LBS.
SERIAL NO.	
N.B.	

NOTE: 1) WELD 3/4"Ø ROUND BARS TO SHELL AFTER HEADS ARE IN PLACE.  
 2) HYDRO @ 163 PSIG. MIN.

WL-633-B	REV. 10-1-14
DATE: 8-23-06	
FOR: VERT. CHILLED WATER TANK	
SURFACE AREA = 198.9 SQ. FT.	
INSIDE: UNPAINTED	
OUTSIDE: PRIME	
BY: E.S. / S.E. SCALE: 1/2"=12"	
ROY E. HANSON JR. MFG.	
1600 E. WASHINGTON BLVD.	
LOS ANGELES, CA 90021	