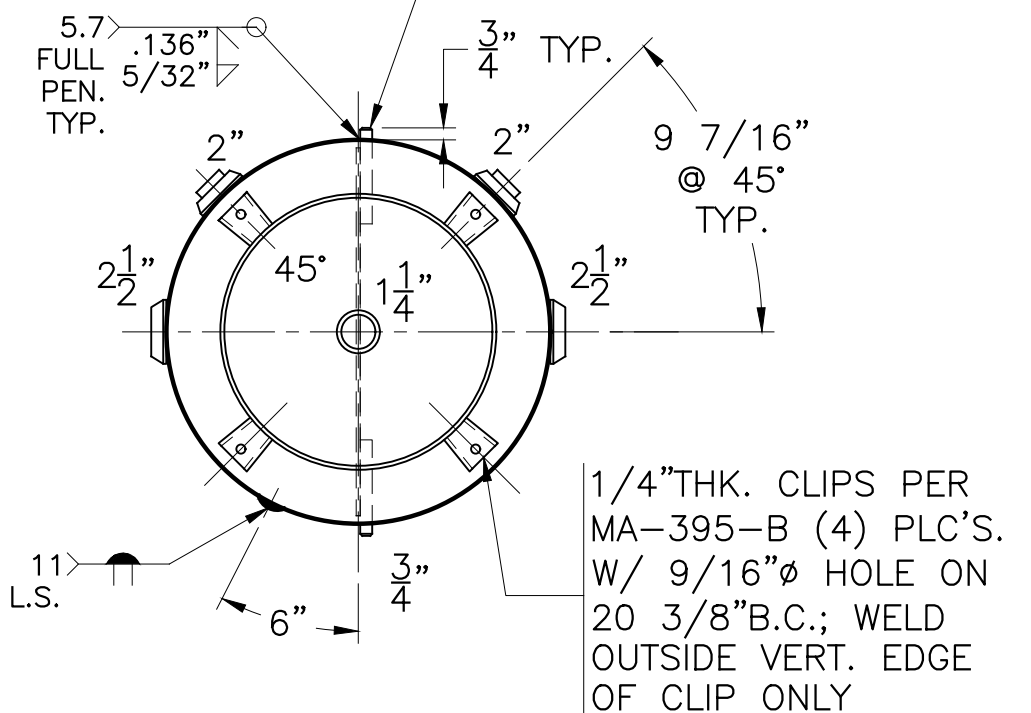


3/4"Ø ROUND BAR
SA-36 x 6"LG. (4) PLC'S.
SEE NOTE: 2



1/4"THK. CLIPS PER
MA-395-B (4) PLC'S.
W/ 9/16"Ø HOLE ON
20 3/8"B.C.; WELD
OUTSIDE VERT. EDGE
OF CLIP ONLY

NOTE: 1) WELD 3/4"Ø ROUND BARS TO SHELL AFTER HEADS ARE IN PLACE.
2) HYDRO @ 197 PSIG. MIN.

SHELL / HEADS		.164" SA-414-G 2:1 S.E.	
JOGGLE			
.136" SA-414-G			
M.A.W.P.	150 PSIG. @ 200 °F		
M.D.M.T.	0 °F @ 150 PSIG.		
ASME SECTION VIII DIV. 1, 2007 ADD 2009			
X-RAY:	RT-NO		
GALLONS:	120	WT.	318 LBS.
SERIAL NO.			
N.B.			
FOR: VERT. CHILLED WATER TANK		WL-632-B	
INSIDE: UNPAINTED		REV. 12-16-09	
OUTSIDE: SHOP PRIME		DATE: 8-22-06	
BY: J.G. / C.J.		SCALE: 1"=12"	
ROY E. HANSON JR. MFG.			
1600 E. WASHINGTON BLVD.			
LOS ANGELES, CA 90021			