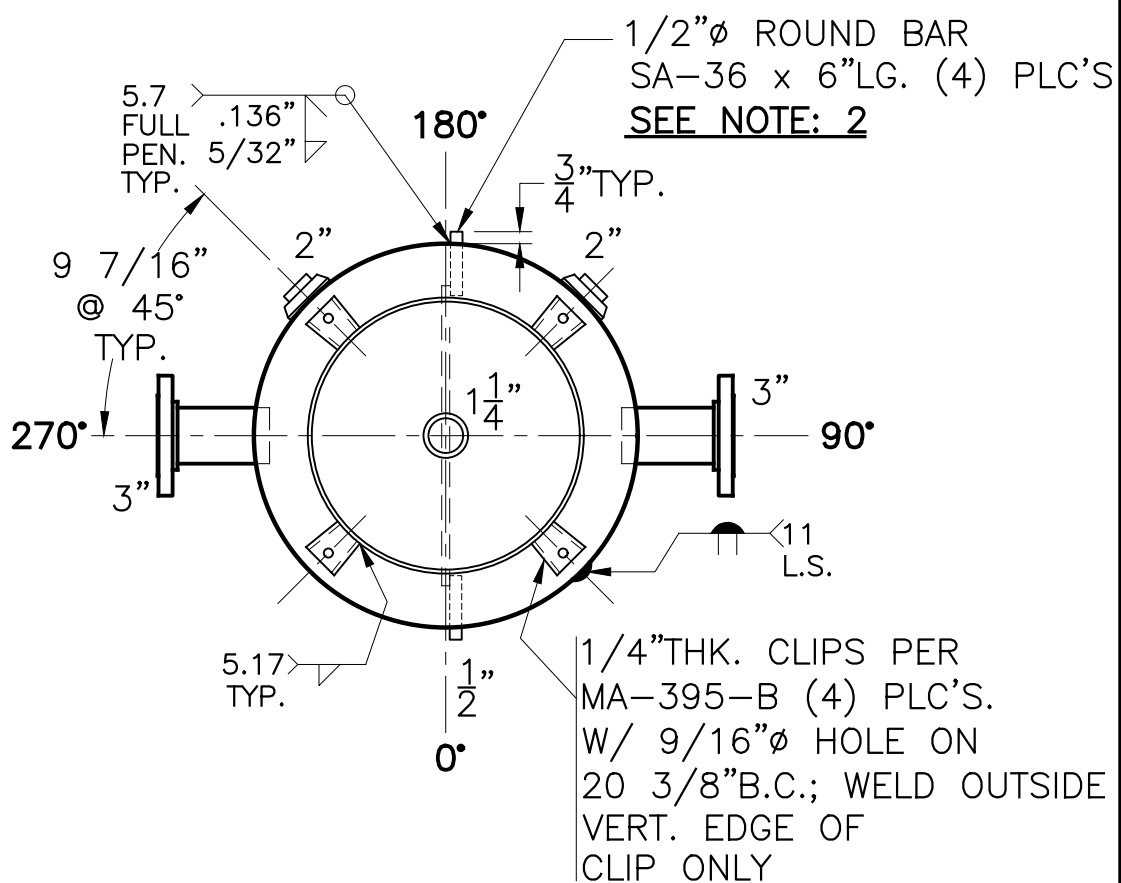
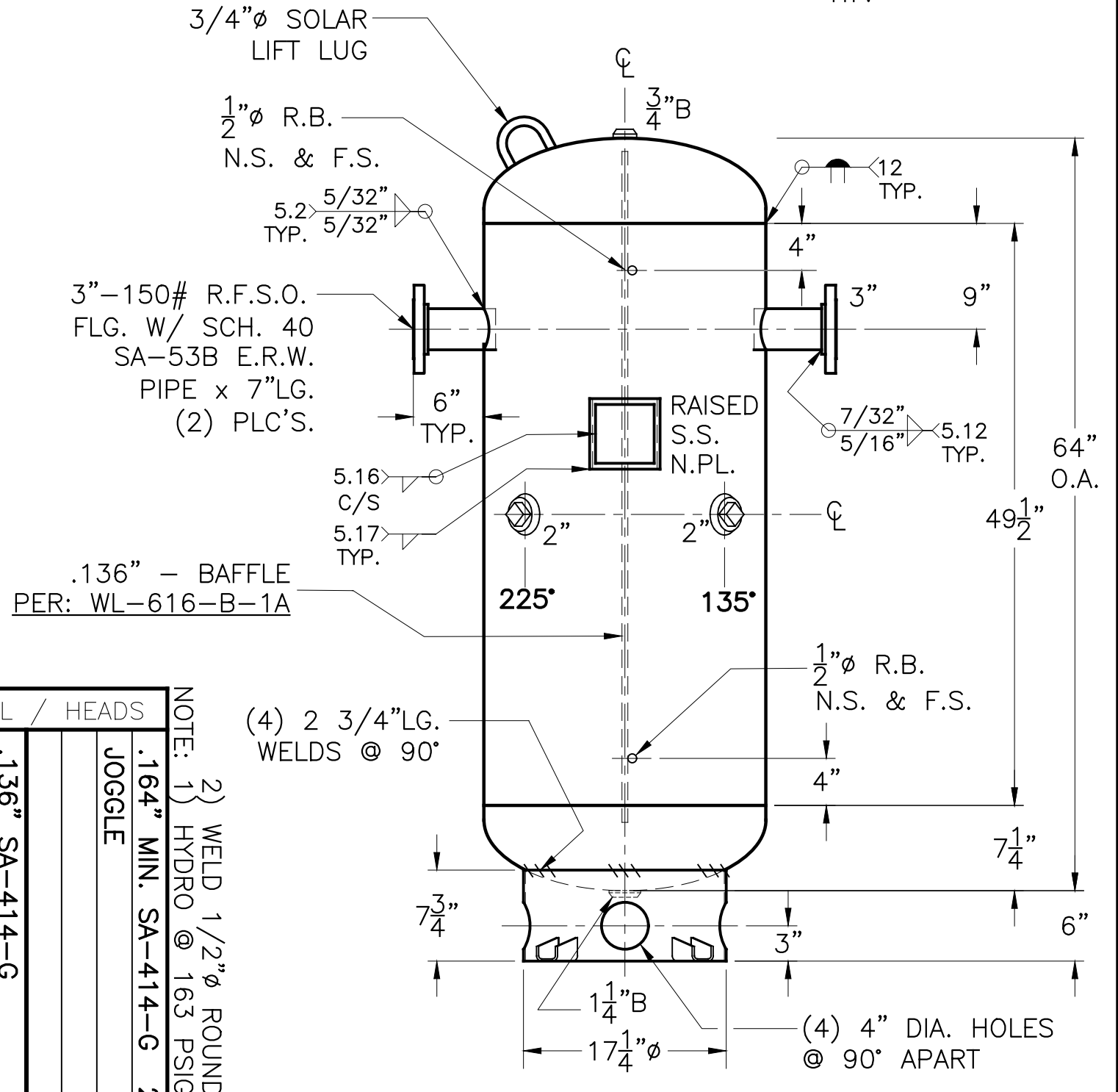
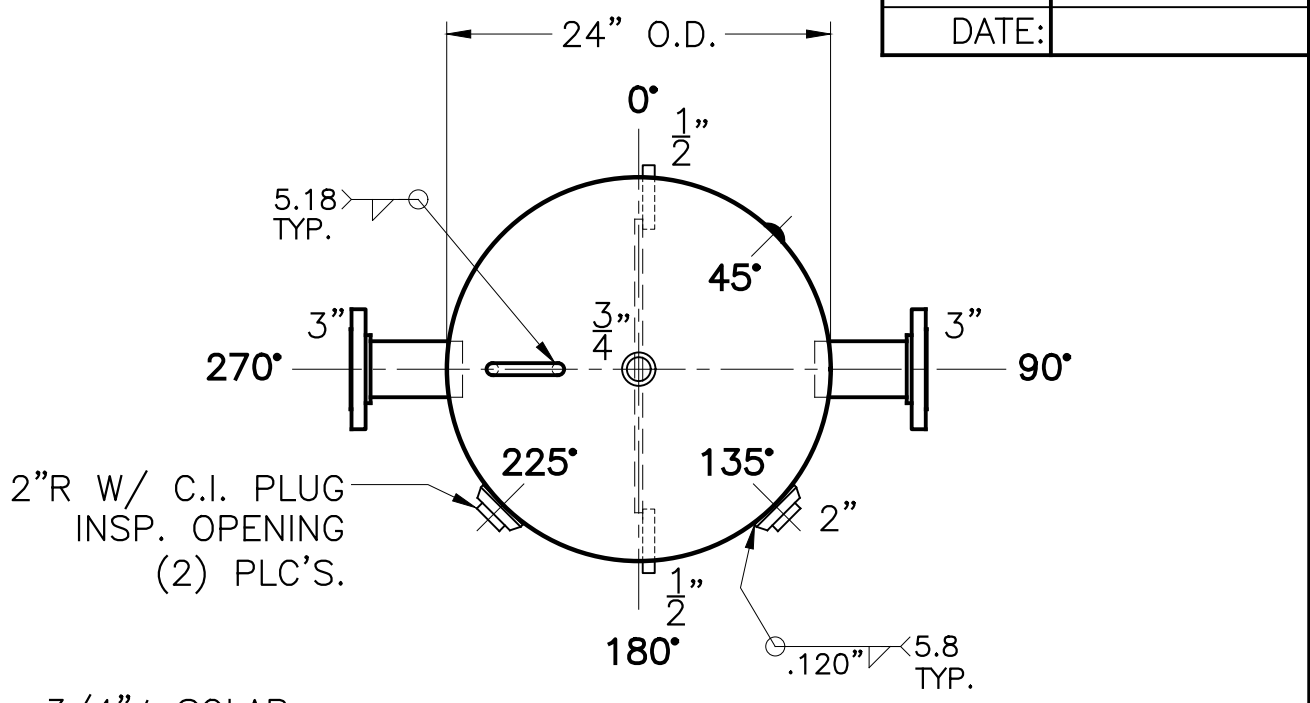


JOB No. \_\_\_\_\_  
 DATE: \_\_\_\_\_



NOTE: 1) HYDRO @ 163 PSIG. MIN.  
 2) WELD 1/2" ROUND BARS TO SHELL AFTER HEADS ARE IN PLACE.

SHELL / HEADS	
JOGGLE	.164" MIN. SA-414-G 2:1 S.E.
M.A.W.P.	125 PSIG. @ 150 °F
M.D.M.T.	0 °F @ 125 PSIG.
ASME. SECTION VIII	DIV. 1, 2017
X-RAY:	RT-NO
GALLONS:	120
WT.	364 LBS.
SERIAL NO.	
N.B.	
<b>WL-616-B</b>	
FOR:	VERT. CHILLED WATER TANK
	SURFACE AREA = 35.9 SQ. FT.
	UW-21(b)
	INSIDE: UNPAINTED
OUTSIDE:	PRIME
BY: J.G./B.C.	SCALE: 1"=12"
<b>ROY E. HANSON JR. MFG.</b>	
LOS ANGELES, CA 90021	
REV. 2-7-19	DATE: 8-1-06