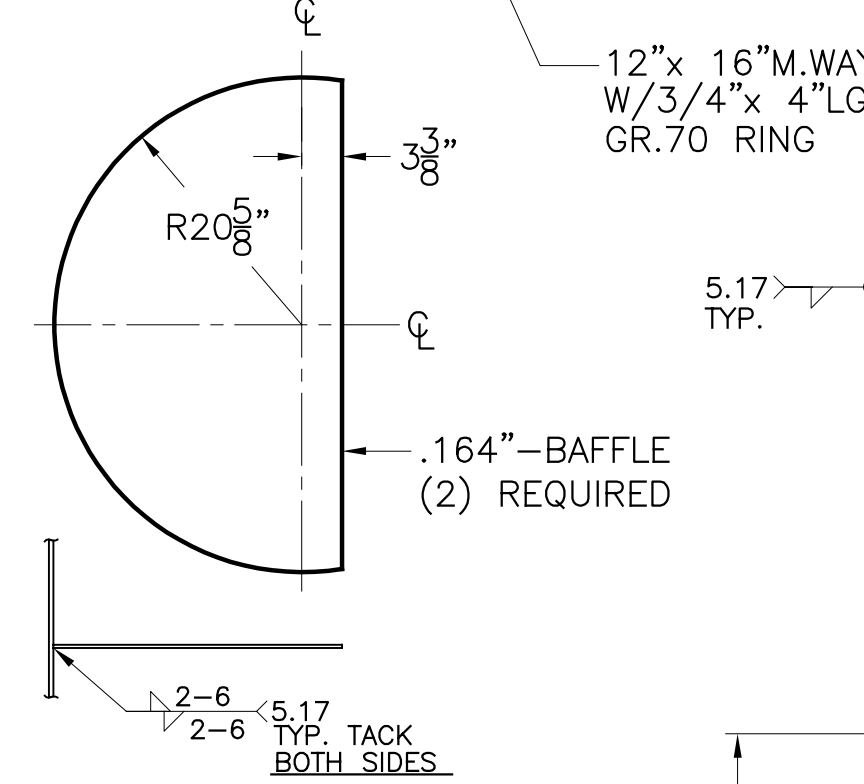
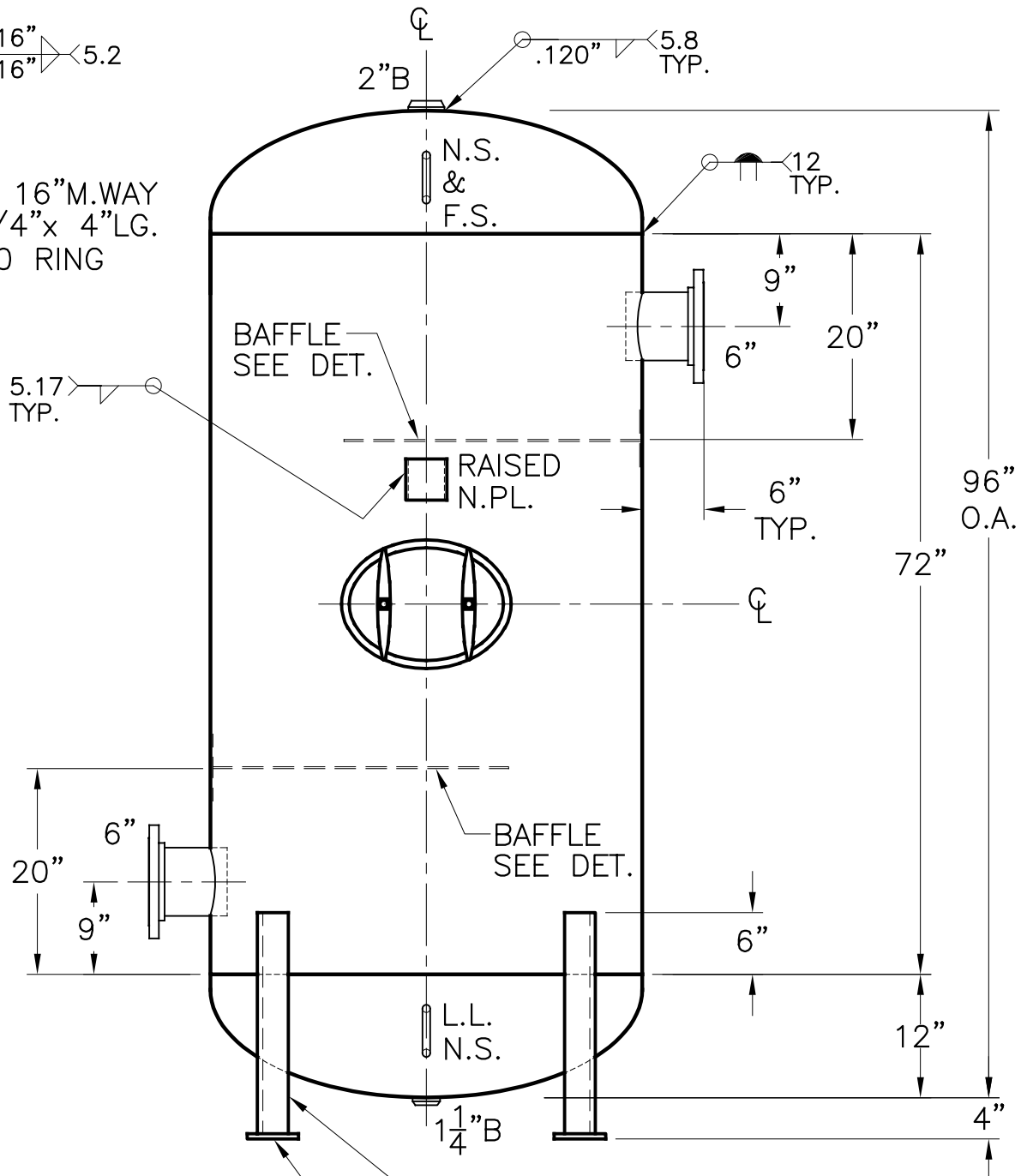


3/4"Ø SOLAR L.LUG (3) PLC'S
 6"-150# R.F.S.O. FLG. W/SCH 80 PIPE x 7 5/8"LG. (2) PLC'S



BAFFLE DETAIL



(4) 3"x 3"x 3/8"THK. x 21 9/16"LG. ANGLE LEGS
 (4) 4"x 4"x 7/16"THK. PAD W/3/4"Ø HOLE FOR 1/2"Ø x 6"LG BOLTS GRADE 5 OR BETTER

NOTE: 1) HYDRO @ 165 PSIG. MIN.

SHELL / HEADS	
JOGGLE	.205" SA-455 2:1 S.E.
	.179" SA-455
M.A.W.P.	125 PSIG. @ 200 °F
M.D.M.T.	-20 °F @ 125 PSIG.
ASME SECTION VIII DIV. 1, 2004 ADD 2006	
X-RAY:	RT-NO
GALLONS:	534
SERIAL NO.	WT. 1054 LBS.
N.B.	

WL-352-B	REV. 10-3-07
	DATE: 12-12-05
FOR:	VERT. CHILLED (BUFFER) WATER TK.
	SURFACE AREA = 95.3 SQ. FT.
INSIDE:	UNPAINTED
OUTSIDE:	PRIME & R16
LEG ZONE:	4-5 KM.
BY: J.G. / H.D.	SCALE: 3/4"=12"
ROY E. HANSON JR. MFG.	
1600 E. WASHINGTON BLVD. LOS ANGELES, CA 90021	

