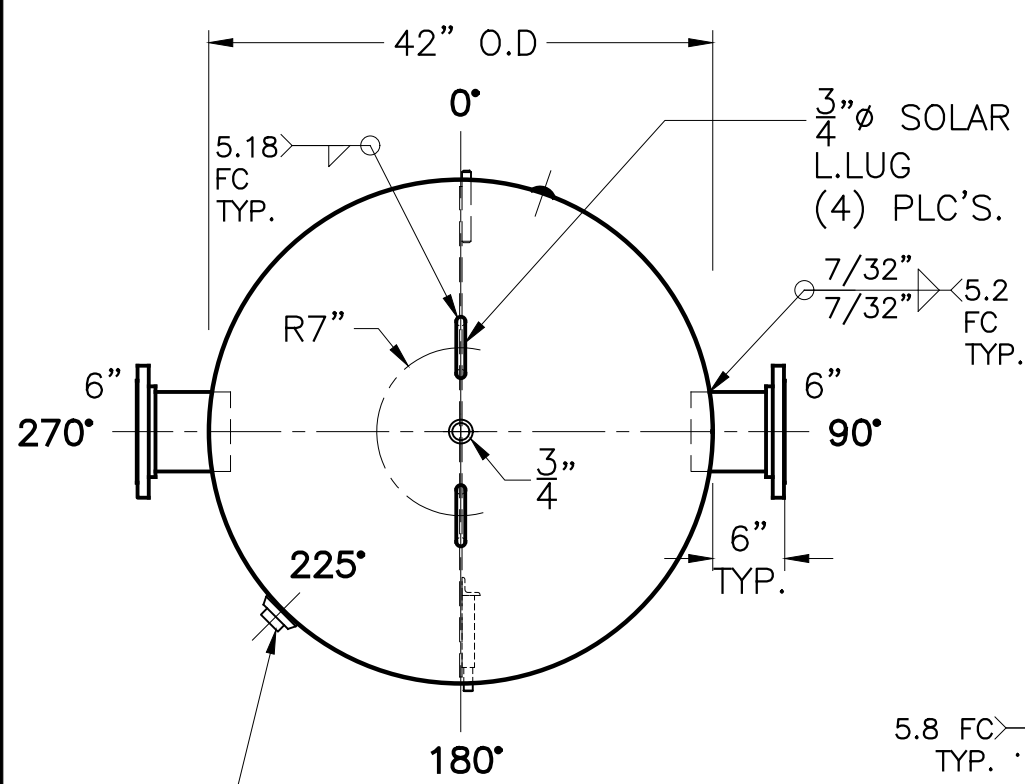
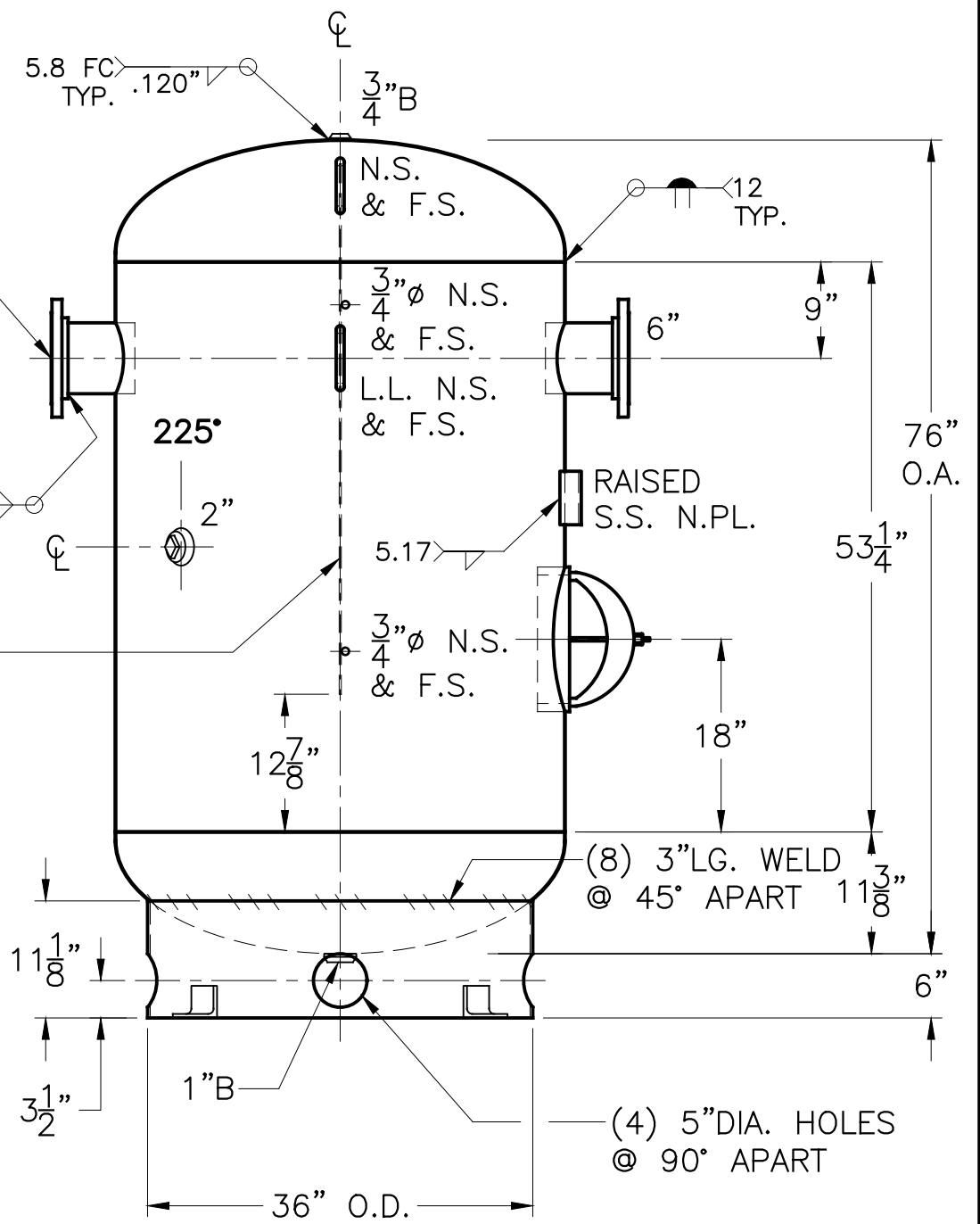


JOB No. _____
 DATE: _____



2" B W/ C.I. PLUG FOR INSPECTION OPENING

6"-150# R.F.S.O. FLG. W/ SCH. 40 SA-106-B PIPE x 7 5/8" LG. (2) PLC'S.



.136" THK. - BAFFLE PER: WL-313-B-1A

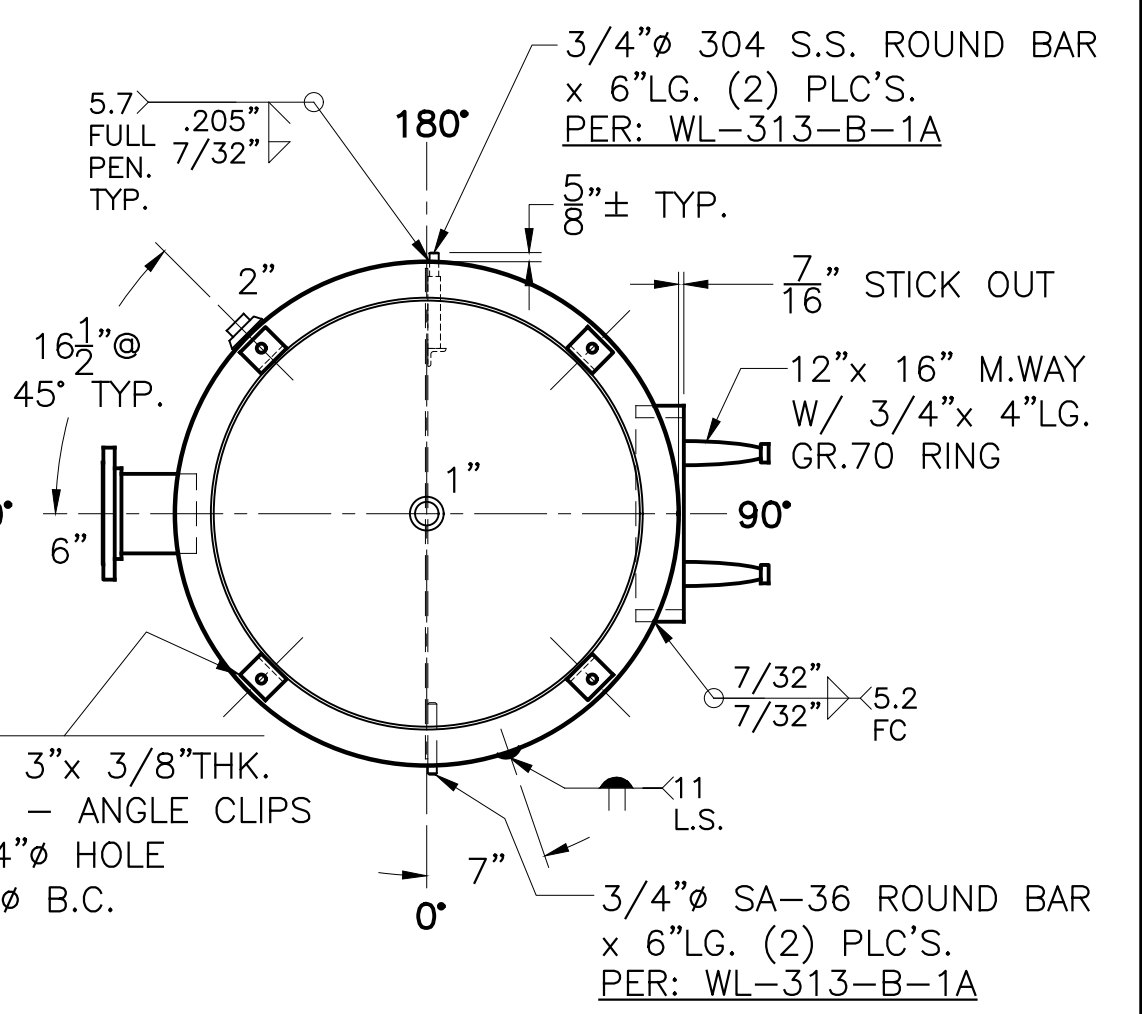
(8) 3" LG. WELD @ 45° APART 11 3/8"

(4) 5" DIA. HOLES @ 90° APART

SHELL / HEADS	
JOGGLE	.205" SA-414-G 2:1 S.E.
M.A.W.P.	125 PSIG. @ 200 °F
M.D.M.T.	0 °F @ 125 PSIG.
ASME SECTION VIII	DIV. 1, 2017
X-RAY:	RT-NO
GALLONS:	405
SERIAL NO.	WT. 1060 LBS.
N.B.	

NOTE: 1) HYDRO @ 163 PSIG. MIN.
 2) WELD 3/4" Ø ROUND BARS TO SHELL AFTER HEADS ARE IN PLACE.

FOR:	WL-313-B	REV. 11-1-18
DATE:	11-4-05	
VERT. CHILLED WATER TANK		
SURFACE AREA = 77.0 SQ. FT.		
INSIDE: UNPAINTED		
OUTSIDE: PRIME & (2") FIBERGLASS W/ALUMINUM JACKET		
BY: J.G./B.C.	SCALE: 3/4" = 12"	
ROY E. HANSON JR. MFG.		
LOS ANGELES, CA 90021		



(4) 3" x 3" x 3/8" THK. x 3" LG. - ANGLE CLIPS W/ 3/4" Ø HOLE ON 39" Ø B.C.