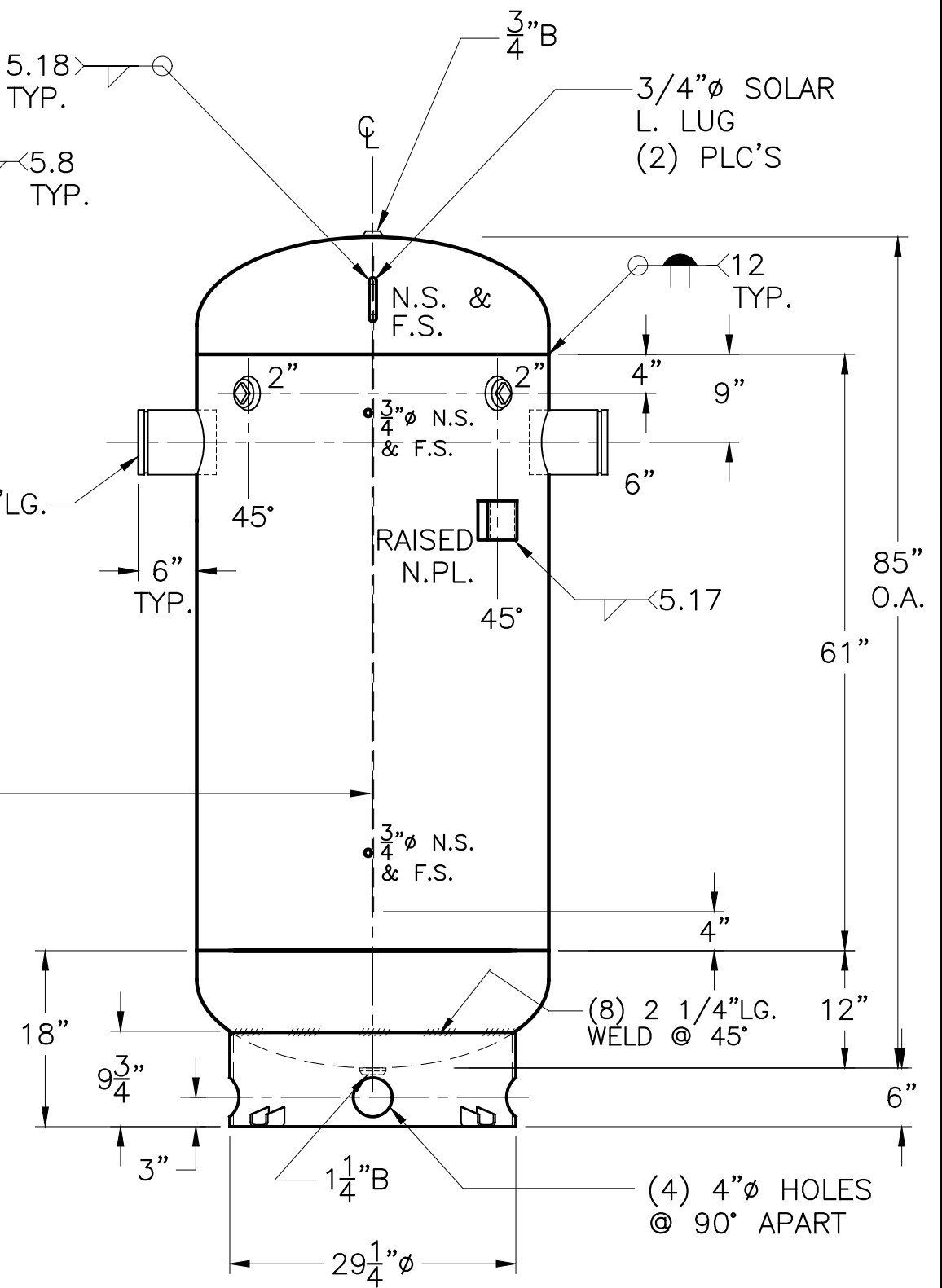


2" R W/ C.I. PLUG  
INSP. OPENINGS  
(2) PLC'S.

6" SCH 80 PIPE x 8" LG.  
W/VICTAULIC GROOVE  
(2) PLC'S

.166" - BAFFLE  
PER: WL-302-B-1A



3/4"  $\phi$  SOLAR  
L. LUG  
(2) PLC'S

N.S. &  
F.S.

3/4"  $\phi$  N.S.  
& F.S.

3/4"  $\phi$  N.S.  
& F.S.

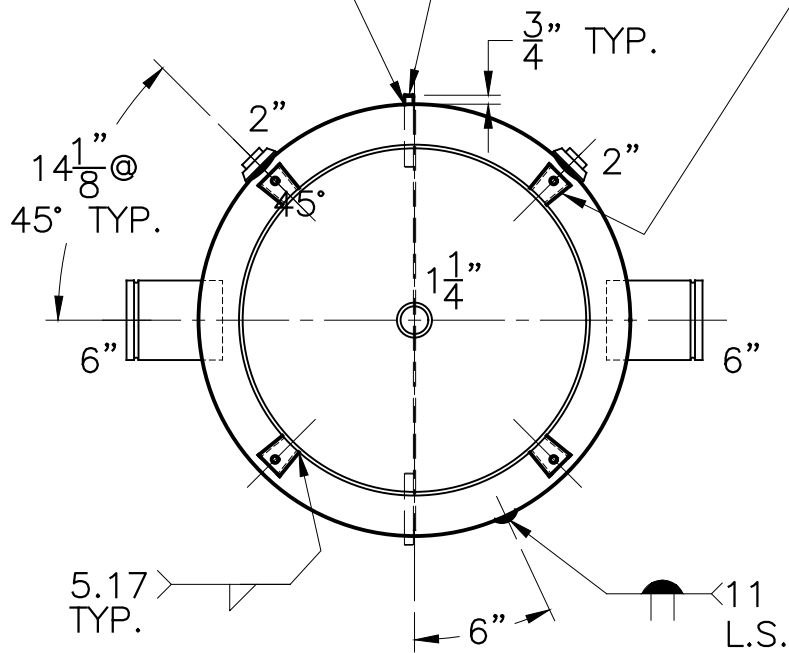
(8) 2 1/4" LG.  
WELD @ 45°

(4) 4"  $\phi$  HOLES  
@ 90° APART

3/4"  $\phi$  ROUND BAR  
x 6" LG. (4) PLC'S.  
PER: WL-302-B-1A

1/4" THK. CLIPS PER  
MA-395-B (4) PLC'S  
W 9/16"  $\phi$  HOLE ON  
32 1/2" B.C.; WELD OUTSIDE  
VERT. EDGE OF CLIP ONLY

5.7  
FULL  
PEN.  
TYP.



3/4" TYP.

14 1/8" @  
45° TYP.

1 1/4"

5.17  
TYP.

11  
L.S.

NOTE: 1) HYDRO @ 197 PSIG. MIN.  
2) WELD 3/4"  $\phi$  ROUND BARS TO SHELL AFTER HEADS ARE IN PLACE.

SHELL / HEADS		.182" SA-455 2:1 S.E.		JOGGLE - .149 OFFSET	
.165" SA-414-G					
M.A.W.P.	150 PSIG. @ 200 °F	M.D.M.T.	0 °F @ 150 PSIG.		
ASME SECTION VIII DIV. 1, 2004 ADD. 2005		X-RAY: RT-4 SPOT L.S. ONLY			
GALLONS:	350	WT.	738 LBS.	SERIAL NO.	
N.B.					
FOR: VERT. CHILLED WATER TANK		SURFACE AREA = 71.3 SQ. FT.		INSIDE: UNPAINTED	
OUTSIDE: PRIME					
BY: J.G./B.C.		SCALE: 3/4"=12"			
ROY E. HANSON JR. MFG.		1600 E. WASHINGTON BLVD. LOS ANGELES, CA 90021			
WL-302-B		REV. 10-5-06		DATE: 10-28-05	