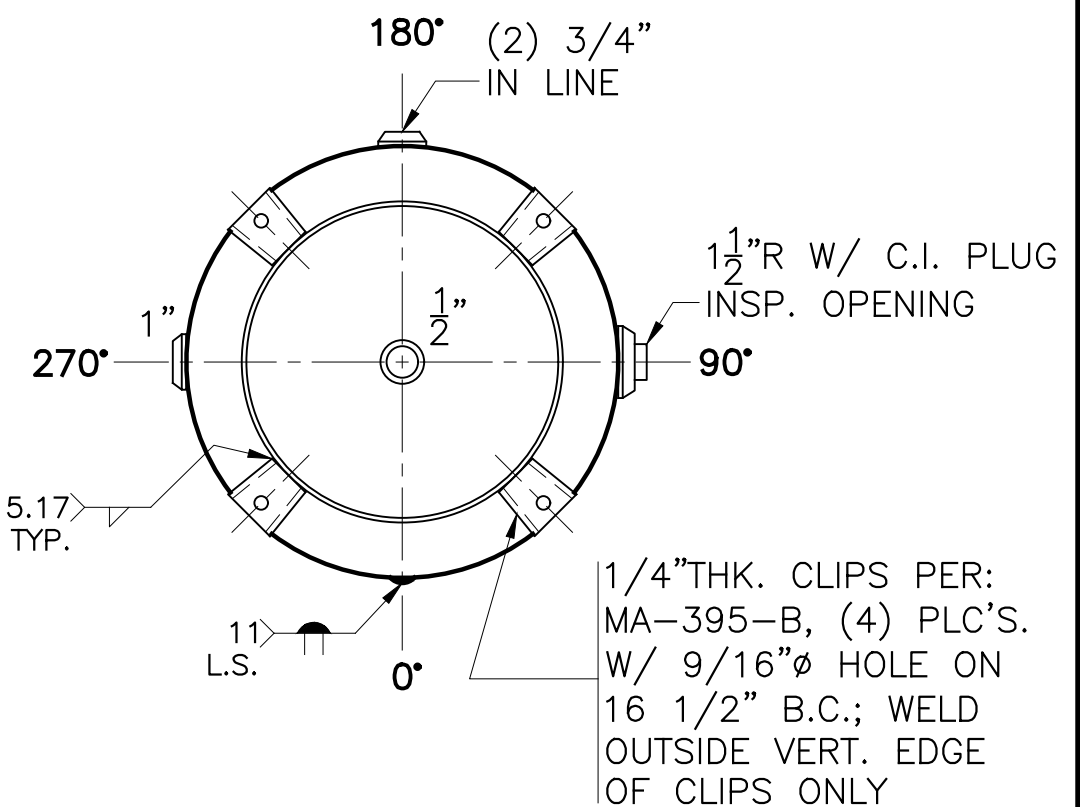
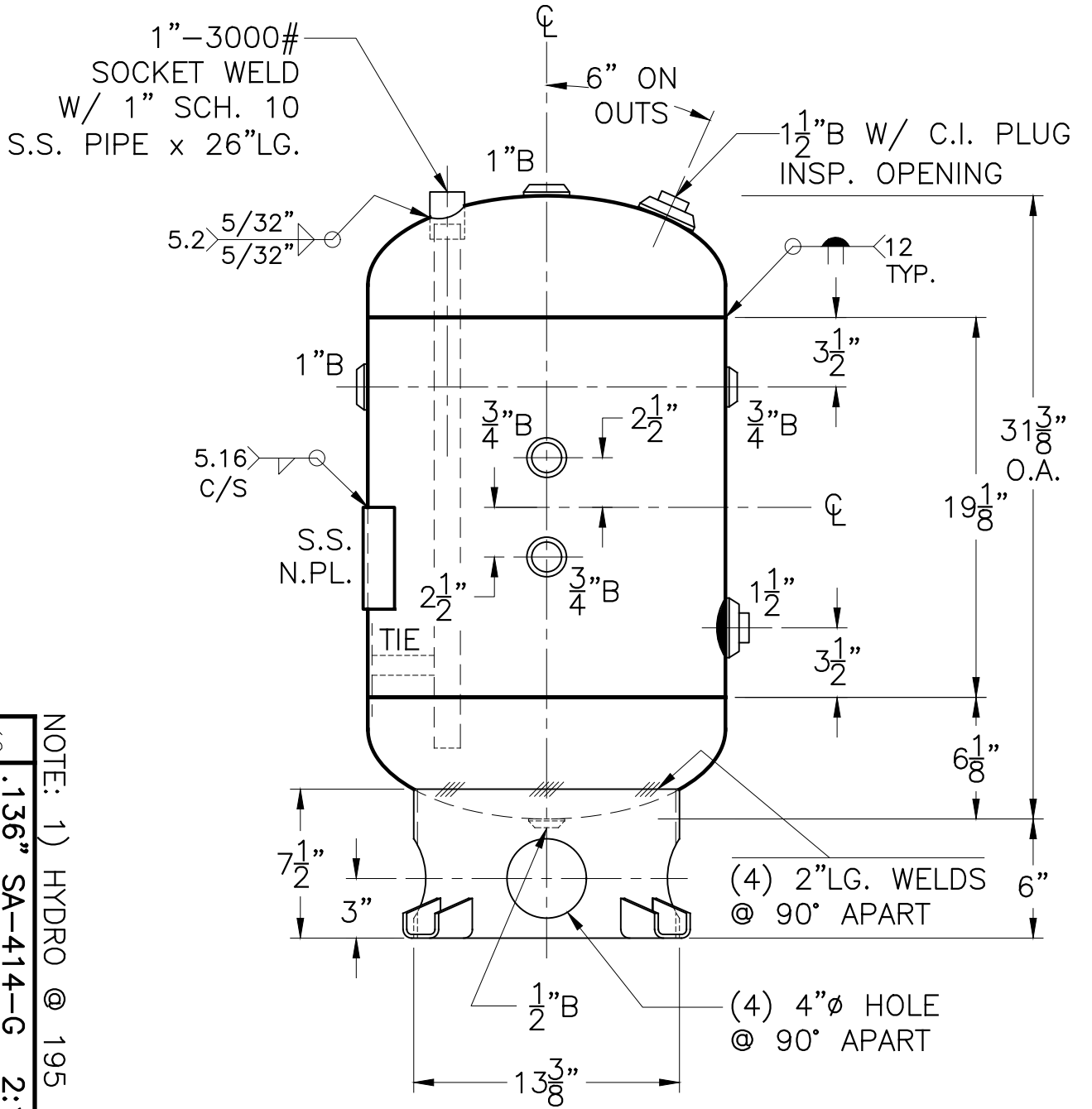
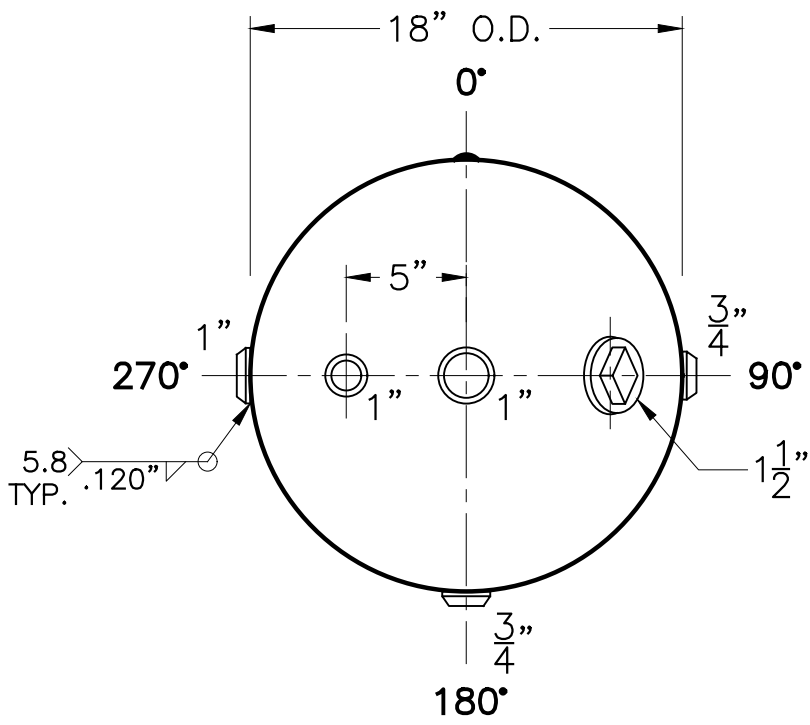


DATE	BY
11-2-16	JG



NOTE: 1) HYDRO @ 195 PSIG. MIN.

SHELL / HEADS		JOGGLED		.136" SA-414-G 2:1 S.E.	
M.A.W.P.	150 PSIG. @ 210 °F	FOR:	VERT. CHILLED WATER TANK		
M.D.M.T.	-20 °F @ 150 PSIG.	INSIDE:	UNPAINTED		
ASME SECTION VIII DIV. 1, 2015		OUTSIDE:	PRIME		
X-RAY:	RT-NO	BY:	E.S. / R.V. SCALE: 1/8"=1"		
GALLONS:	30	WT.	101 LBS.		
SERIAL NO.		ROY E. HANSON JR. MFG.			
N.B.		LOS ANGELES, CA 90021			
		REV.	11-2-16		
		DATE:	9-28-05		
		SURFACE AREA = 13.6 SQ. FT.			