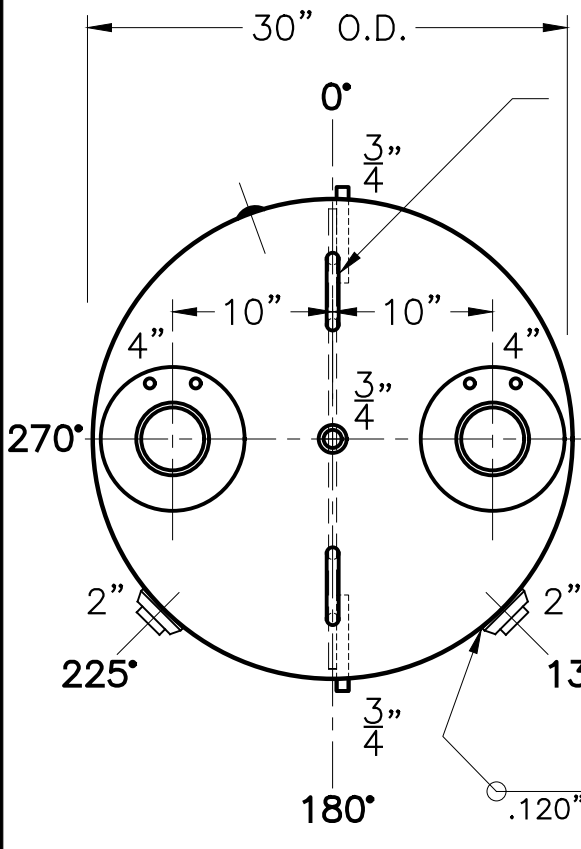


DATE	BY

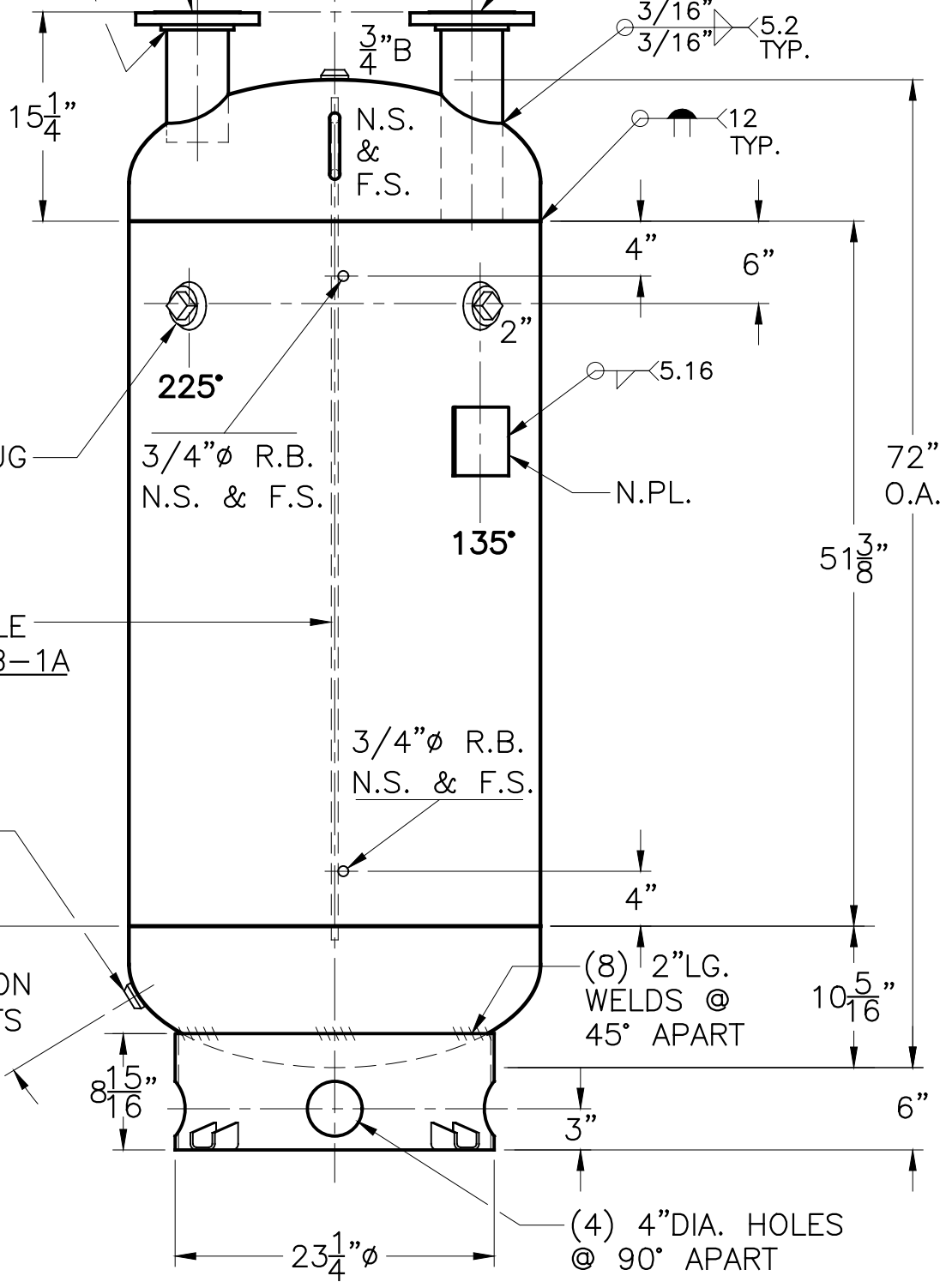


3/4"Ø L.LUG
(2) PLC'S

4"-150# R.F.S.O.
FLG. W/SCH 40
SA-106-B
PIPE x 9 1/4"LG.

STENCIL INLET

4"-150# R.F.S.O.
FLG. W/SCH 40
SA-106-B
PIPE x 15"LG.



2"R W/C.I. PLUG
INSP. OPENING
(2) PLC'S

.136"THK. BAFFLE
PER: WJ-423-B-1A

3/4"Ø R.B.
N.S. & F.S.

135°

3/4"Ø R.B.
N.S. & F.S.

5" ON
OUTS

(8) 2"LG.
WELDS @
45° APART

(4) 4"DIA. HOLES
@ 90° APART

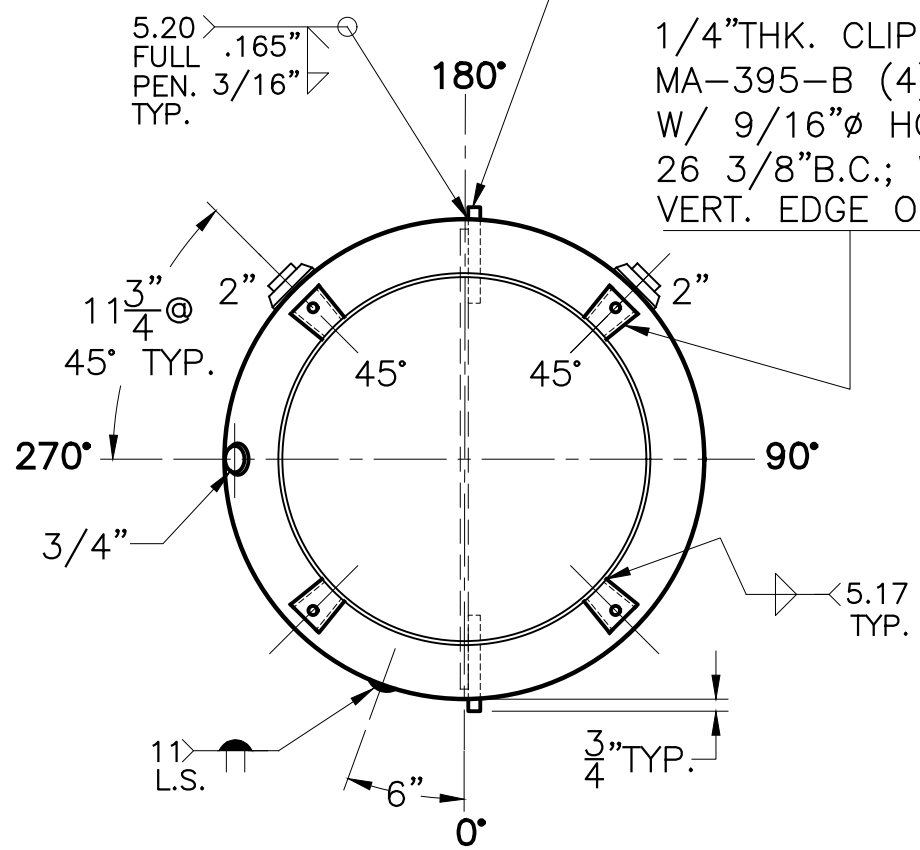
3/4"Ø ROUND BAR SA-36
x 6"LG. (4) PLC'S
SEE NOTE: 2

1/4"THK. CLIPS PER
MA-395-B (4) PLC'S.
W/ 9/16"Ø HOLE ON
26 3/8"B.C.; WELD OUTSIDE
VERT. EDGE OF CLIP ONLY

NOTE: 1) WELD 3/4"Ø ROUND BARS TO SHELL AFTER HEADS ARE IN PLACE.
2) HYDRO @ 163 PSIG. MIN.

SHELL / HEADS	
JOGGLE	.166" SA-414-G 2:1 S.E.
M.A.W.P.	125 PSIG. @ 200 °F
M.D.M.T.	0 °F @ 125 PSIG.
ASME SECTION VIII DIV. 1, 2010 ADD 2011	
X-RAY:	RT-NO
GALLONS:	200
SERIAL NO.	WT. 534 LBS.
N.B.	

FOR: HANSON STANDARD	WL-082-B	REV. 3-29-12
VERT. CHILLED WATER TANK		DATE: 4-26-05
SURFACE AREA = 50.8 SQ. FT.		
INSIDE: UNPAINTED		
OUTSIDE: SHOP PRIME		
BY: J.G.	SCALE: 1" = 12"	
ROY E. HANSON JR. MFG.		
1600 E. WASHINGTON BLVD.		
LOS ANGELES, CA 90021		



5.20
FULL
PEN.
TYP.

11 3/4" @
45° TYP.

11
L.S.