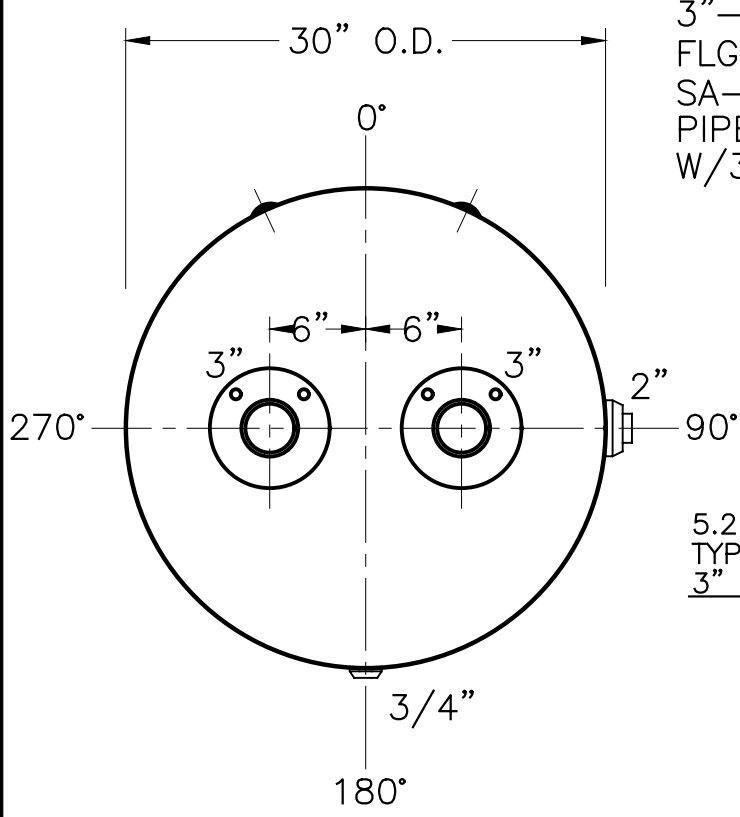


3"-150# R.F.S.O.
 FLG. W/SCH 40
 SA-106-B
 PIPE x 92 5/8"LG.
 W/30° MITRE

3"-150# R.F.S.O.
 FLG. W/SCH 40
 SA-106-B
 PIPE x 7"LG.



5.2 $\frac{3}{16}$ "
 TYP. $\frac{3}{16}$ "
 3" PIPES

$\frac{1}{4}$ "
 $\frac{1}{4}$ " 5.12
 TYP.

6"
 TYP.

12
 TYP.

$\frac{3}{4}$ " B

6"
 15"

90"
 O.A.

$69\frac{3}{8}$ "

$54\frac{3}{8}$ "

5.16

N.P.L.

$\frac{3}{4}$ " ϕ SOLAR
 L.LUG
 (2) PLC'S

TIE

8"
 6"

$10\frac{5}{16}$ "

$1\frac{1}{2}$ "
 CLEARANCE

(3) 3" x 3" x $\frac{3}{16}$ "THK.
 x 20"LG. ANGLE LEGS

(3) 4" x 4" x $\frac{5}{16}$ "THK.
 PADS W/ $\frac{7}{8}$ " ϕ HOLE
 FOR x $\frac{5}{8}$ " ϕ x 8"LG. BOLTS
 GRADE 5 OR BETTER
 6" EMBEDMENT

4" x 6" H.HOLE
 W/ $\frac{3}{8}$ " x 3"LG.
 GR.70 RING

$\frac{7}{16}$ " STICK OUT

5.2 $\frac{3}{16}$ "
 $\frac{3}{16}$ "

$7\frac{7}{8}$ "
 ϕ 30° TYP.

.120" 5.8
 TYP.

2" B W/C.I. PLUG
 INSP. OPENING

11 L.S.
 TYP.

NOTE: 1) HYDRO @ 195 PSIG. MIN.

SHELL / HEADS	
JOGGLE	.140" SA-414-G 2:1 S.E.
M.A.W.P.	150 PSIG. @ 200 °F
M.D.M.T.	0 °F @ 150 PSIG.
ASME. SECTION VIII	DIV. 1, 2007 ADD 2008
X-RAY:	RT-NO
GALLONS:	260 WT. 541 LBS.
SERIAL NO.	
N.B.	

FOR:	VERT. CHILLED WATER TANK
	SURFACE AREA = 62.6 SQ. FT.
	UW-21 (b)
	INSIDE: UNPAINTED
OUTSIDE:	SHOP PRIME
LEG ZONE:	3-15 KM.
BY: J.G. / C.J.	SCALE: 1" = 12"
ROY E. HANSON JR. MFG.	
1600 E. WASHINGTON BLVD.	
LOS ANGELES, CA 90021	
WK-975-B	REV. 4-21-09
	DATE: 1-28-05