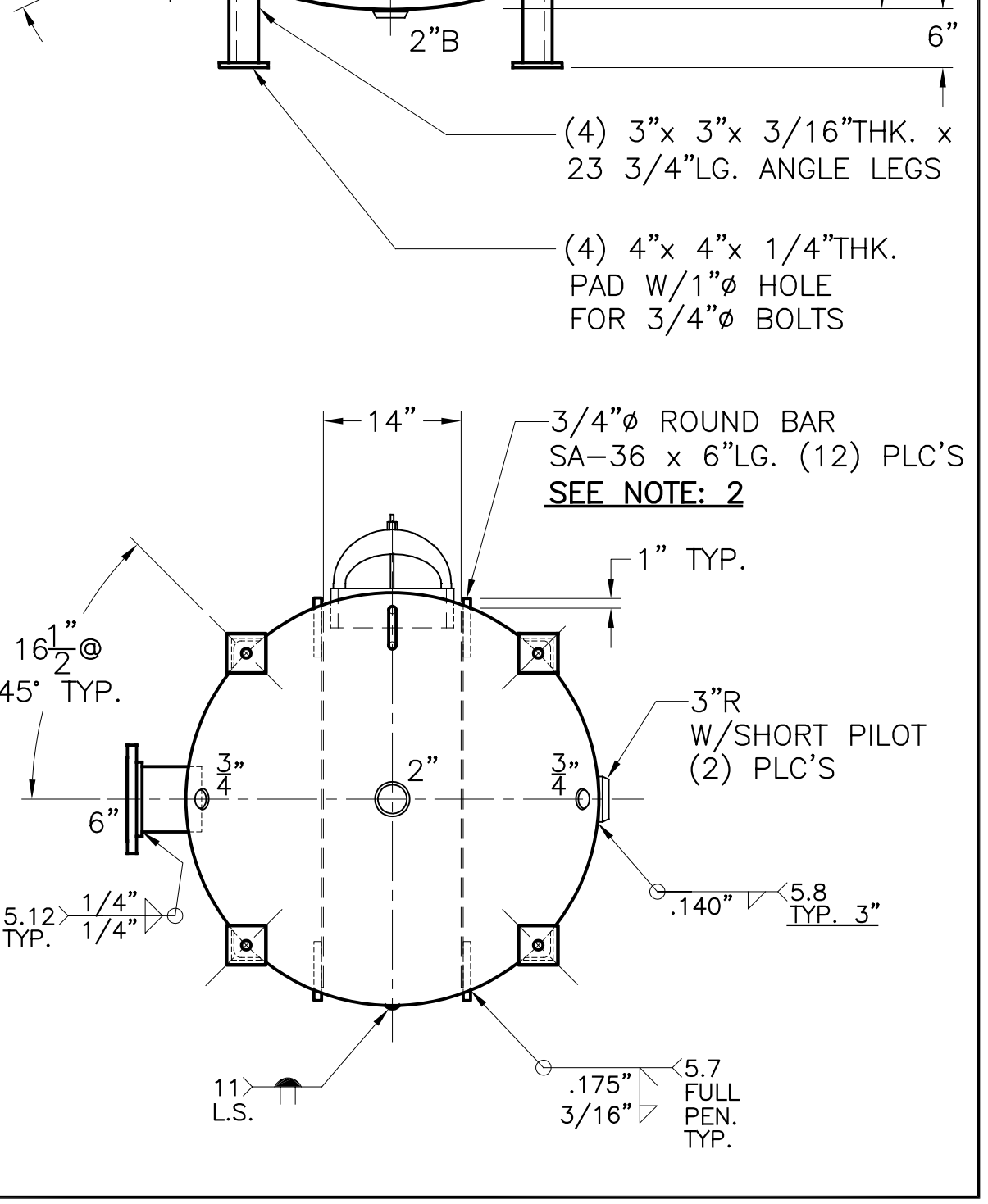


SHELL / HEADS	
JOGGLE	.205" SA-455 2:1 S.E.
M.A.W.P.	125 PSIG. @ 100 °F
M.D.M.T.	0 PSIG. @ 125 °F
ASME SECTION VIII	DIV. 1, 2004 ADD 2005
X-RAY:	RT-4 SPOT L.S. ONLY
GALLONS:	420 WT. 1021 LBS.
SERIAL NO.	
N.B.	
FOR: VERT. CHILLED WATER TANK SURFACE AREA = 79.7 SQ. FT.	
INSIDE: HOT DIP GALVANIZED	
OUTSIDE: HOT DIP GALVANIZED AND R-16 FOAM INSULATION	
LEG ZONE: 1-15 KM.	
BY: J.G./STEVE SCALE: 3/4"=12"	
ROY E. HANSON JR. MFG.	
1600 E. WASHINGTON BLVD. LOS ANGELES, CA 90021	
WK-887-B	REV. 11-3-06
	DATE: 11-4-04

NOTE: 1) WELD 3/4"Ø ROUND BARS TO SHELL AFTER HEADS ARE IN PLACE.
 2) HYDRO @ 165 PSIG. MIN.



(4) 3"x 3"x 3/16"THK. x 23 3/4"LG. ANGLE LEGS

(4) 4"x 4"x 1/4"THK. PAD W/1"Ø HOLE FOR 3/4"Ø BOLTS

3/4"Ø ROUND BAR SA-36 x 6"LG. (12) PLC'S
 SEE NOTE: 2

3"R W/SHORT PILOT (2) PLC'S

5.7 FULL PEN. TYP.