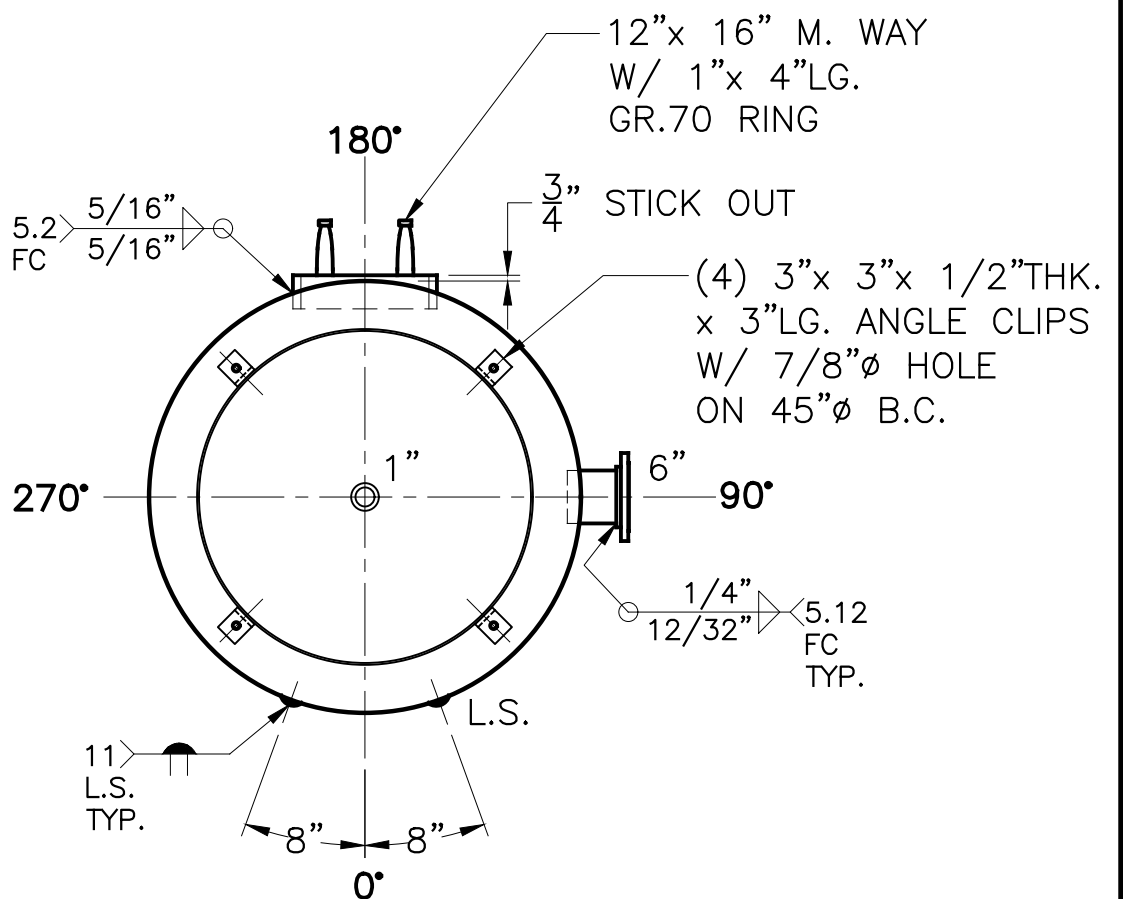
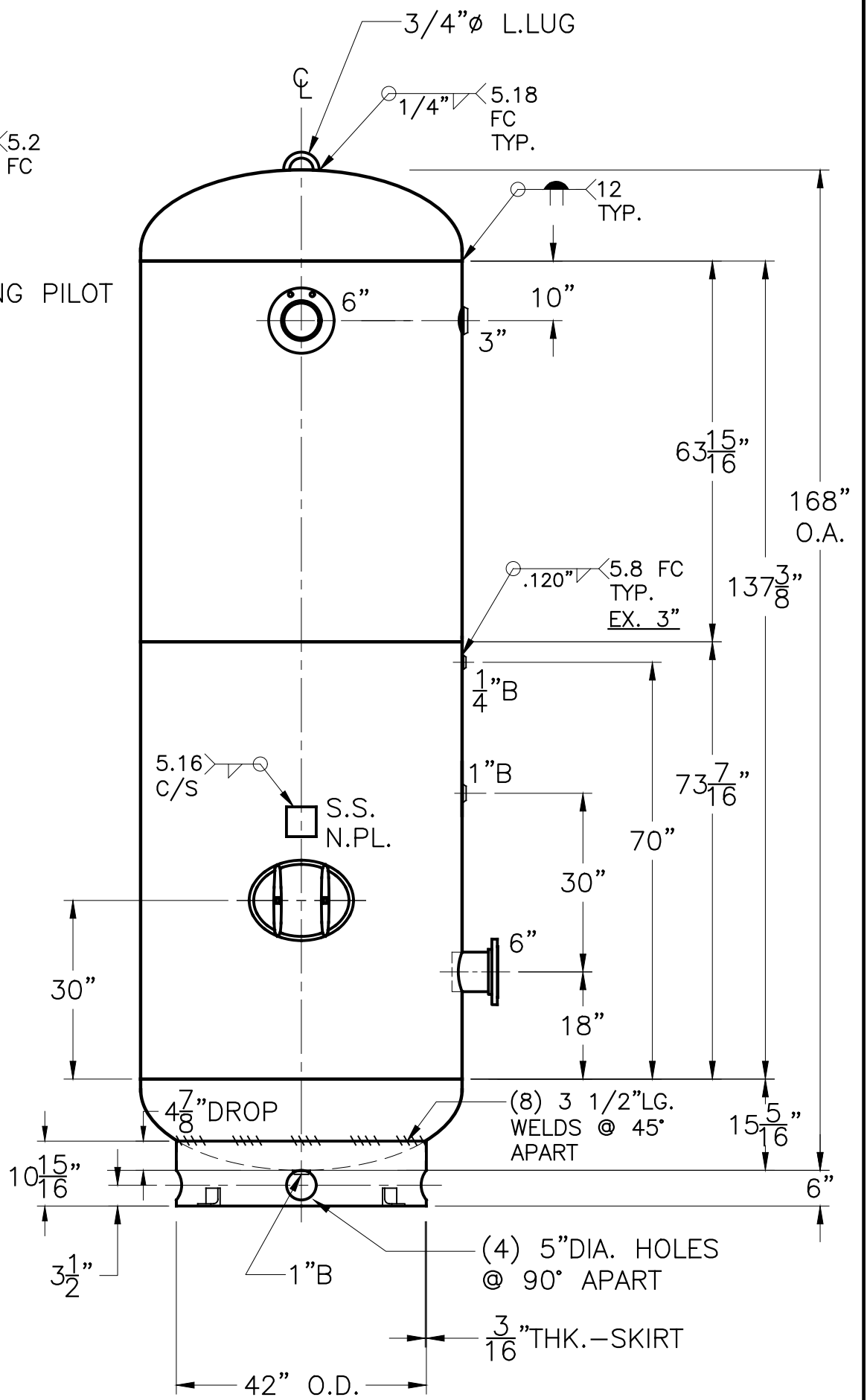


6"-150# R.F.S.O. FLG.  
 W/SCH. 40, SA-106-C  
 PIPE x 7 5/8"LG.  
 (2) PLC'S.



NOTE: 1) WELD TO, OR JOINING SA-612 HAVE W.P.S. W/SUFFIX "B".  
 2) HYDRO @ 215 PSIG. MIN.

SHELL / HEADS		REVISIONS	
BEVEL	.375" SA-516-70 2:1 S.E.	REV. 9-26-18	DATE: 1-26-99
.262" SA-612		FOR: HANSON STANDARD	
		VERT. AIR TANK	
		SURFACE AREA = 210.0 SQ. FT.	
		UW-21(b)	
		INSIDE: UNPAINTED	
		OUTSIDE: PRIME	
M.A.W.P. 165 PSIG. @ 400 °F	M.D.M.T. -20 °F @ 165 PSIG.	BY: J.G./B.C.	SCALE: 1/2"=12"
ASME SECTION VIII DIV. 1, 2017	X-RAY: RT-4 SPOT L.S. ONLY	<b>ROY E. HANSON JR. MFG.</b>	
GALLONS: 1550	WT. 2980 LBS.	1600 E. WASHINGTON BLVD.	
SERIAL NO.	N.B.		